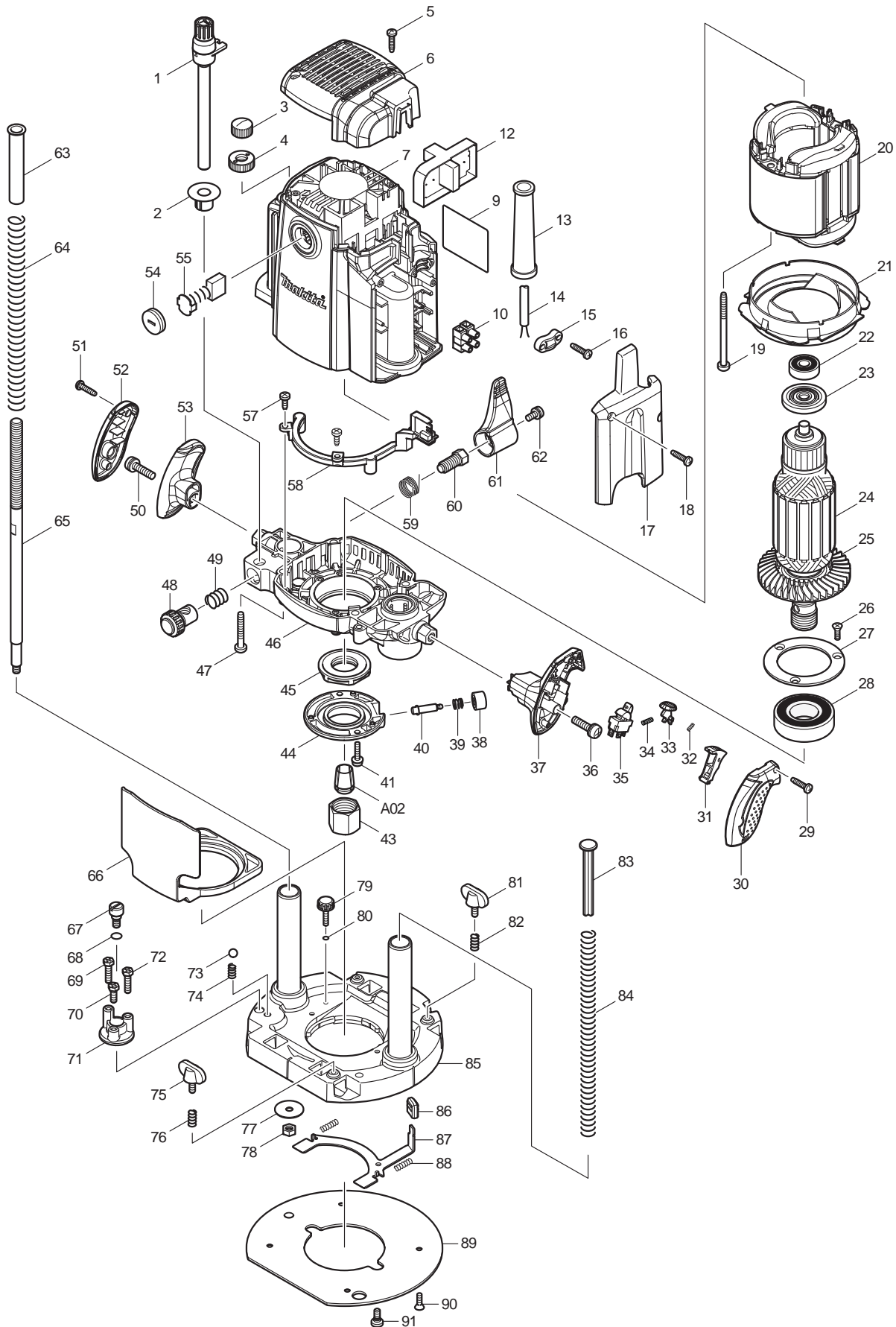




02 - 2010  
RP1801F  
3 1/2 HP 1/2" ROUTER



Item No	Type	Ref	Part No	Description	Qty	Unit
1			125542-4	THUMB SCREW M10X115 ASS'Y	1	PC.
2			450946-4	DEPTH POINTER	1	PC.
3			252643-6	WING NUT M10	1	PC.
4			410129-8	NYLON NUT M10	1	PC.
5			265995-6	TAPPING SCREW 4X18	2	PC.
6			450948-0	REAR COVER	1	PC.
7			140003-3	MOTOR HOUSING COMPLETE	1	PC.
		INC.	643707-1	BRUSH HOLDER	2	PC.
		INC.	638648-4	SUPPORT UNIT	1	PC.
		INC.	816922-2	SCALE PLATE	1	PC.
9			866375-5	NAME PLATE F/RP1801F	1	PC.
10			654531-7	TERMINAL BLOCK 2P	1	PC.
12			631860-5	POWER SUPPLY CIRCUIT	1	PC.
13			682505-8	CORD GUARD 10-90	1	PC.
14			664463-0	CORD W/PLUG 2P-14-2.5M, SJ	1	PC.
15			687052-4	STRAIN RELIEF	1	PC.
16			265995-6	TAPPING SCREW 4X18	2	PC.
17			450949-8	COVER	1	PC.
18			265995-6	TAPPING SCREW 4X18	2	PC.
19			266059-9	TAPPING SCREW 5X75	2	PC.
20			636056-3	FIELD 115V	1	PC.
21			450944-8	BUFFLE PLATE	1	PC.
22			211092-6	BALL BEARING 629DDW	1	PC.
23			681671-8	INSULATION WASHER	1	PC.
24			517801-4	ARMATURE ASS'Y	1	PC.
		INC.		Item No. 22, 23, 25		
25			240112-9	FAN 80	1	PC.
26			251295-0	COUNTERSUNK HEAD SCREW M4X14 W/ADHESIVE	3	PC.
27			285731-4	BEARING RETAINER 60	1	PC.
28			211380-1	BALL BEARING 6205DDW	1	PC.
29			265995-6	TAPPING SCREW 4X18	2	PC.
30			450937-5	GRIP COVER R	1	PC.
31			450940-6	SWITCH LEVER	1	PC.
32			233024-3	COMPRESSION SPRING 4	1	PC.
33			450941-4	LOCK OFF BUTTON	1	PC.
34			231372-4	COMPRESSION SPRING 5	1	PC.
35			651430-4	SWITCH	1	PC.
36			911343-4	PAN HEAD SCREW M6X25	1	PC.
37			450936-7	GRIP R	1	PC.
38			450942-2	PUSH BUTTON	1	PC.
39			233072-2	COMPRESSION SPRING 8	1	PC.
40			268234-3	COLLARED PIN 6	1	PC.
41			911133-5	PAN HEAD SCREW M4X18	2	PC.
43			763674-5	COLLET NUT	1	PC.
44			318382-9	RETAINER COVER	1	PC.
45			285849-1	RETAINER	1	PC.
46			158972-4	MOTOR BRACKET COMPLETE	1	PC.
47			266012-5	TAPPING SCREW 5X35	4	PC.
48			153476-1	HALF NUT COMPLETE	1	PC.
49			231231-2	COMPRESSION SPRING 12	1	PC.
50			911343-4	PAN HEAD SCREW M6X25	1	PC.
51			265995-6	TAPPING SCREW 4X18	2	PC.
52			450939-1	GRIP COVER L	1	PC.
53			450938-3	GRIP L	1	PC.
54			643700-5	BRUSH HOLDER CAP 7-18	2	PC.

Item No	Type	Ref	Part No	Description	Qty	Unit
55	1		191953-5	CARBON BRUSH CB-203 (2PCS/SET) (W/O ORIGIN)	1	SET
	2		194991-6	CARBON BRUSH CB203 (2PCS/SET) (WITH ORIGIN)	1	SET
57			266026-4	TAPPING SCREW BIND CT 4X12	2	PC.
58			631862-1	LED CIRCUIT	1	PC.
59			233538-2	TORSION SPRING 15	1	PC.
60			266015-9	SET BOLT M10	1	PC.
61			450950-3	LOCK LEVER	1	PC.
62			911213-7	PAN HEAD SCREW M5X12	1	PC.
63			450943-0	SILENT POLE	1	PC.
64			234106-4	COMPRESSION SPRING 13	1	PC.
65			325652-9	SCREW M10	1	PC.
66			450953-7	TIP DEFLECTOR	1	PC.
67			251467-7	- FLAT HEAD SCREW M6	1	PC.
68			213030-4	O RING 8	1	PC.
69			265587-1	+HEX. BOLT M5X20	1	PC.
70			265586-3	+HEX. BOLT M5X14	1	PC.
71			315931-3	STOPPER	1	PC.
72			265587-1	+HEX. BOLT M5X20	1	PC.
73			216009-4	STEEL BALL 7.1	1	PC.
74			231419-4	COMPRESSION SPRING 5	1	PC.
75			265720-5	THUMB SCREW M5X14	1	PC.
76			231240-1	COMPRESSION SPRING 7	1	PC.
77			253783-3	FLAT WASHER 6	1	PC.
78			931303-0	HEX. NUT M6	1	PC.
79			265774-2	THUMB SCREW M4X19	1	PC.
80			213022-3	O RING 3	1	PC.
81			265720-5	THUMB SCREW M5X14	1	PC.
82			231240-1	COMPRESSION SPRING 7	1	PC.
83			417252-0	POLE	1	PC.
84			234105-6	COMPRESSION SPRING 11	1	PC.
85			158973-2	BASE COMPLETE	1	PC.
86			424176-3	CAP 14	1	PC.
87			346032-6	LOCK PLATE	1	PC.
88			233105-3	COMPRESSION SPRING 4	2	PC.
89			450951-1	BASE PLATE	1	PC.
90			912112-6	COUNTERSUNK HEAD SCREW M4X10	4	PC.
91			266016-7	SET BOLT M5X10	2	PC.
100			652014-1	PAN HEAD SCREW M4X8(FOR SWITCH)	3	PC.
101			654038-3	INSULATED TERMINALFT1.25-M4	3	PC.
102			654510-5	INSULATED CONNECTOR 5.5-SD	3	PC.
200			849938-2	CARTON	1	PC.

#### **ACCESSORIES**

- See catalogue or visit [www.makita.ca](http://www.makita.ca) for more optional accessories -

A01			158980-5	KNOB 55 COMPLETE	1	PC.
A02			763622-4	COLLET CONE 1/2"	1	PC.
A03			763803-0	COLLET SLEEVE FOR 1/4" BIT	1	PC.
	Opt.		763805-6	COLLET SLEEVE FOR 3/8" BIT	1	PC.
A04			781030-7	WRENCH 24	1	PC.
A05			123022-4	TRIMMER GUIDE ASS'Y	1	PC.
		INC.	342427-1	PLATE HOLDER	1	PC.
		INC.	941101-4	FLAT WASHER 5	1	PC.
		INC.	942101-7	SPRING WASHER 5	1	PC.
		INC.	924206-5	WING BOLT M5X10	1	PC.
		INC.	163053-1	ROLL	1	PC.

Item No	Type	Ref	Part No	Description	Qty	Unit
A07			193312-9	STRAIGHT GUIDE, W/MICRO ADJUSTMENT, STEEL	1	PC.
		INC.	193360-8	ROD 7	1	PC.
		INC.	193292-9	ROD 8	1	PC.
		INC.	193359-3	ROD 12	1	PC.
A08			122256-6	GUIDE HOLDER ASSY (USE WITH A09)	1	PC.
A09			342428-9	STRAIGHT GUIDE (USE WITH A08)	1	PC.
A10			252627-4	NUT M30 (USE WITH A11 AND A12)	1	PC.
A11			321492-3	TEMPLET GUIDE ADAPTER 30	1	PC.
A12			193235-1	TEMPLET GUIDE 25	1	PC.
A13			783208-8	HEX. WRENCH 2.5	1	PC.
A14			194368-5	GUIDE RAIL 1400MM	1	PC.
			194367-7	GUIDE RAIL 3000MM	1	PC.
A15			194579-2	GUIDE RAIL ADAPTOR	1	PC.
A16			P-80023	DUST NOZZLE SET	1	SET
A17			266491-7	* +PAN HEAD SCREW M6X135 (see Notes)	1	PC.
A18			941152-7	* FLAT WASHER 6 (see Notes)	1	PC.

**\*Item No. A17 & 18: Screw and Washer are used for Cutting Depth Adjustment when using Router Table purchased in the market. these parts are not coming with tool and not equipped in the tool.**

