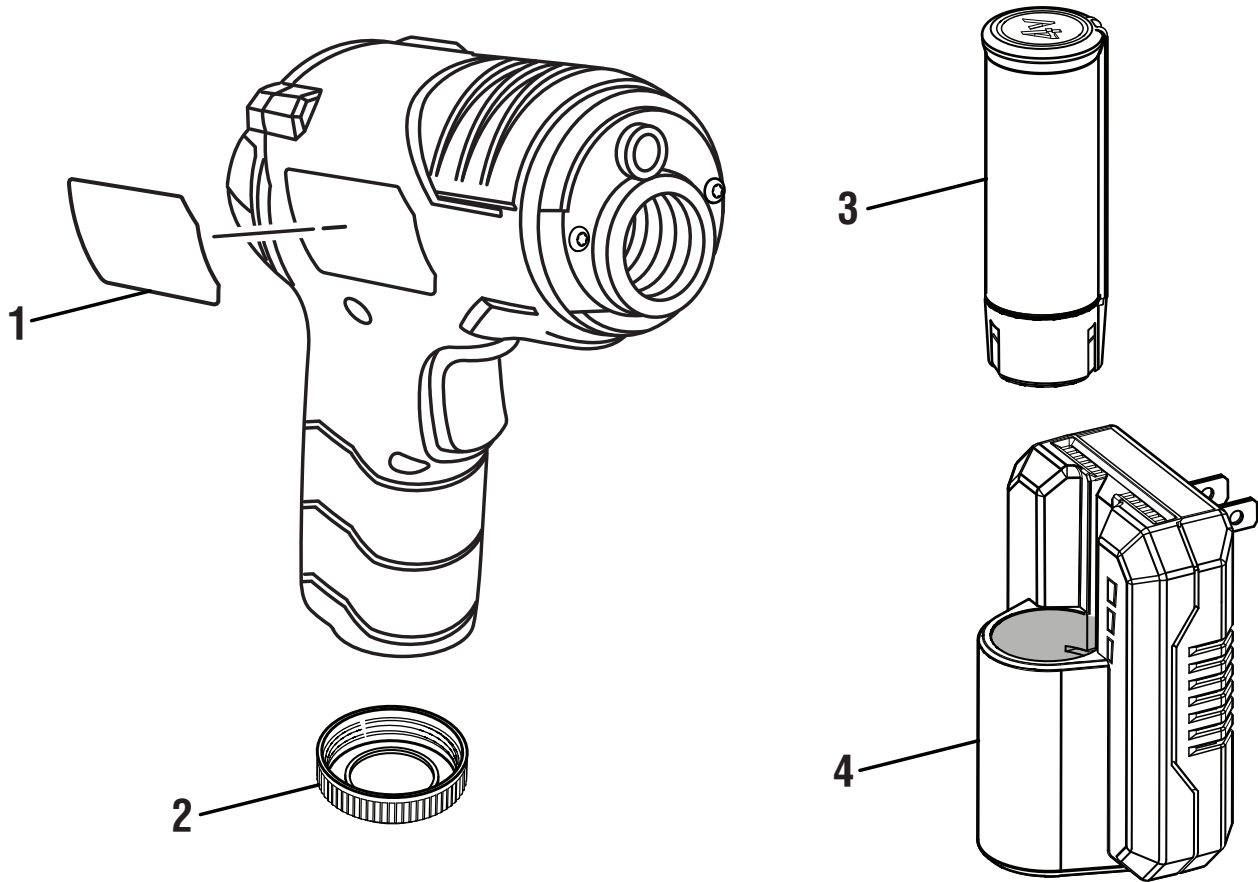


RYOBI INFRARED THERMOMETER- MODEL NO. RP4030

The model number will be found on a label attached to the housing. Always mention the model number in all correspondence regarding your **THERMOMETER** or when ordering replacement parts.



PARTS LIST

KEY NO.	PART NUMBER	DESCRIPTION	QTY.	KEY NO.	PART NUMBER	DESCRIPTION	QTY.
1	83-638-P01R001	Data Label	1	NOT SHOWN:			
2	52-187-R04R000	Battery Cap	1	987000656		Operator's Manual.....	1
3	130166003	Battery Pack.....	1	987000654		Operator's Manual (AP4700)..	1
4	140129002	Charger.....	1	987000706		Operator's Manual (AP4001)..	1

8-4-09
(REV:01)