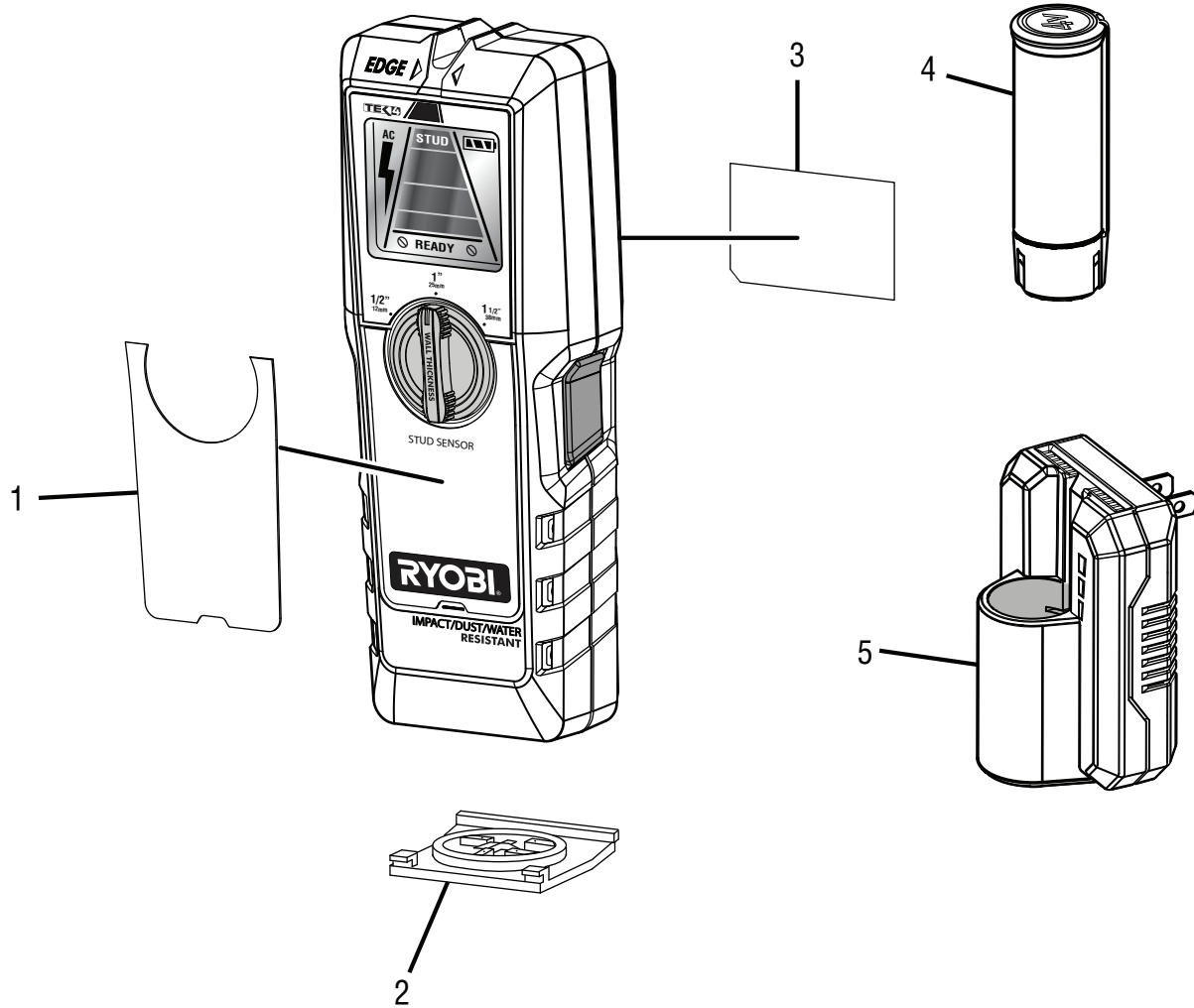


RYOBI STUD SENSOR – MODEL NO. RP4050

The model number will be found on a label attached to the housing. Always mention the model number in all correspondence regarding your **STUD SENSOR** or when ordering replacement parts.



PARTS LIST

KEY NO.	PART NUMBER	DESCRIPTION	QTY.	KEY NO.	PART NUMBER	DESCRIPTION	QTY.
1	83-108-A02R000	Logo Label	1	NOT SHOWN:			
2	07-108-A03H000	Battery Door	1	987000907	Operator's Manual.....	1	
3	83-108-A03R000	Data Label	1	987000654	Operator's Manual (AP4700)..	1	
4	130166003	Battery Pack.....	1	987000706	Operator's Manual (AP4001)..	1	
5	140129002	Charger.....	1				

3-9-10
(REV:01)