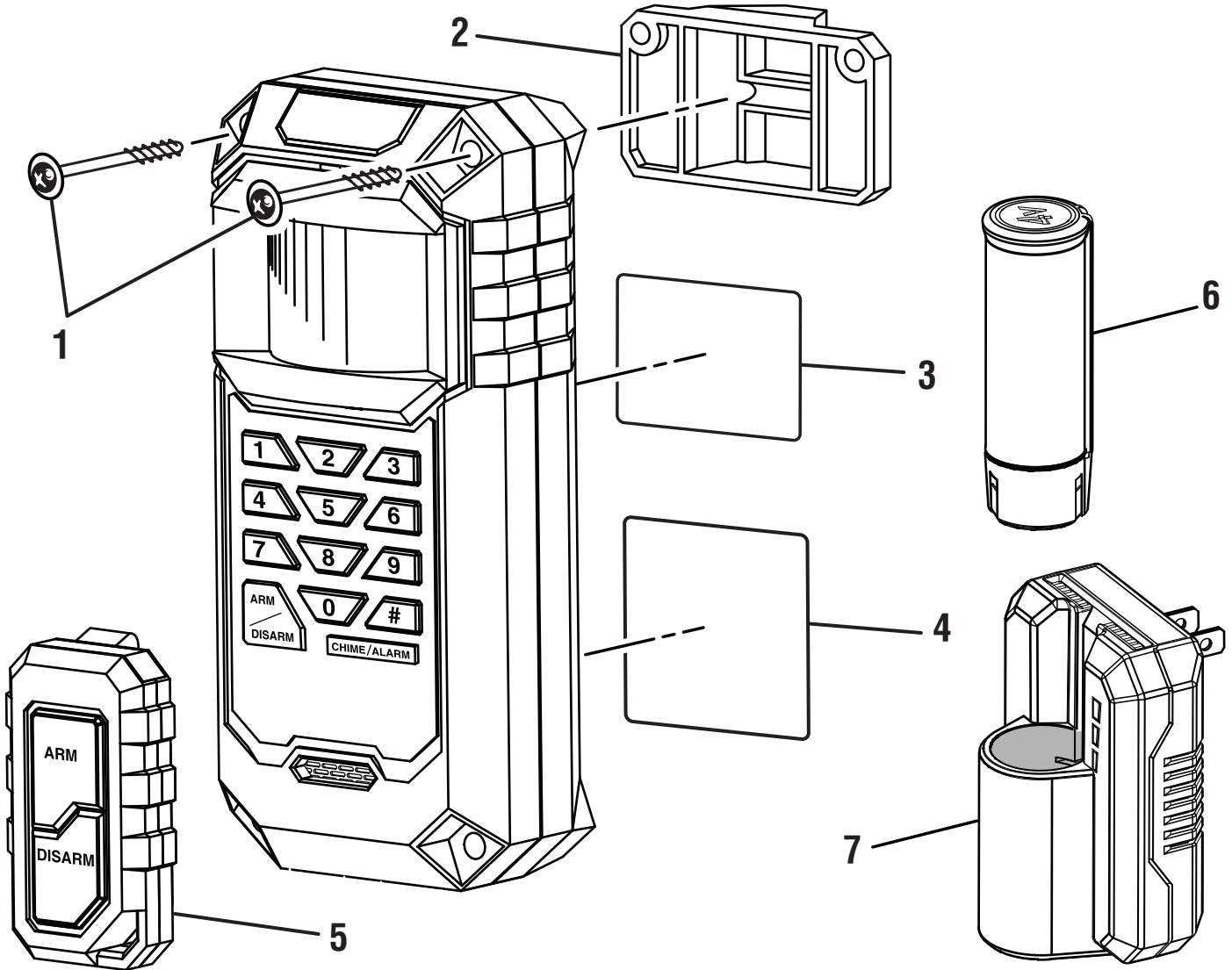


RYOBI MOTION SENSING ALARM W/ REMOTE – MODEL NO. RP4300

The model number will be found on a label attached to the housing. Always mention the model number in all correspondence regarding your **MOTION SENSING ALARM** or when ordering replacement parts.



PARTS LIST

KEY NO.	PART NUMBER	DESCRIPTION	QTY.	KEY NO.	PART NUMBER	DESCRIPTION	QTY.
1	51-120-135R000	Screw (M2.6 x 35.5 mm)	2	7	140129002	4V Li-ion Charger	1
2	ACC-144H-02R	Mounting Bracket Assembly	1	NOT SHOWN:			
3	83-144-H00	Data Label	1	987000654	Operator's Manual (AP4700)	1	
4	83-144-H01	Information Label	1	987000706	Operator's Manual (AP4001)	1	
5	WOP-144H-02R	Remote Assembly	1	983000660	Operator's Manual	1	
6	130166003	4V Li-ion Battery Pack (AP4001)	1	8-07-09			
				(REV:01)			