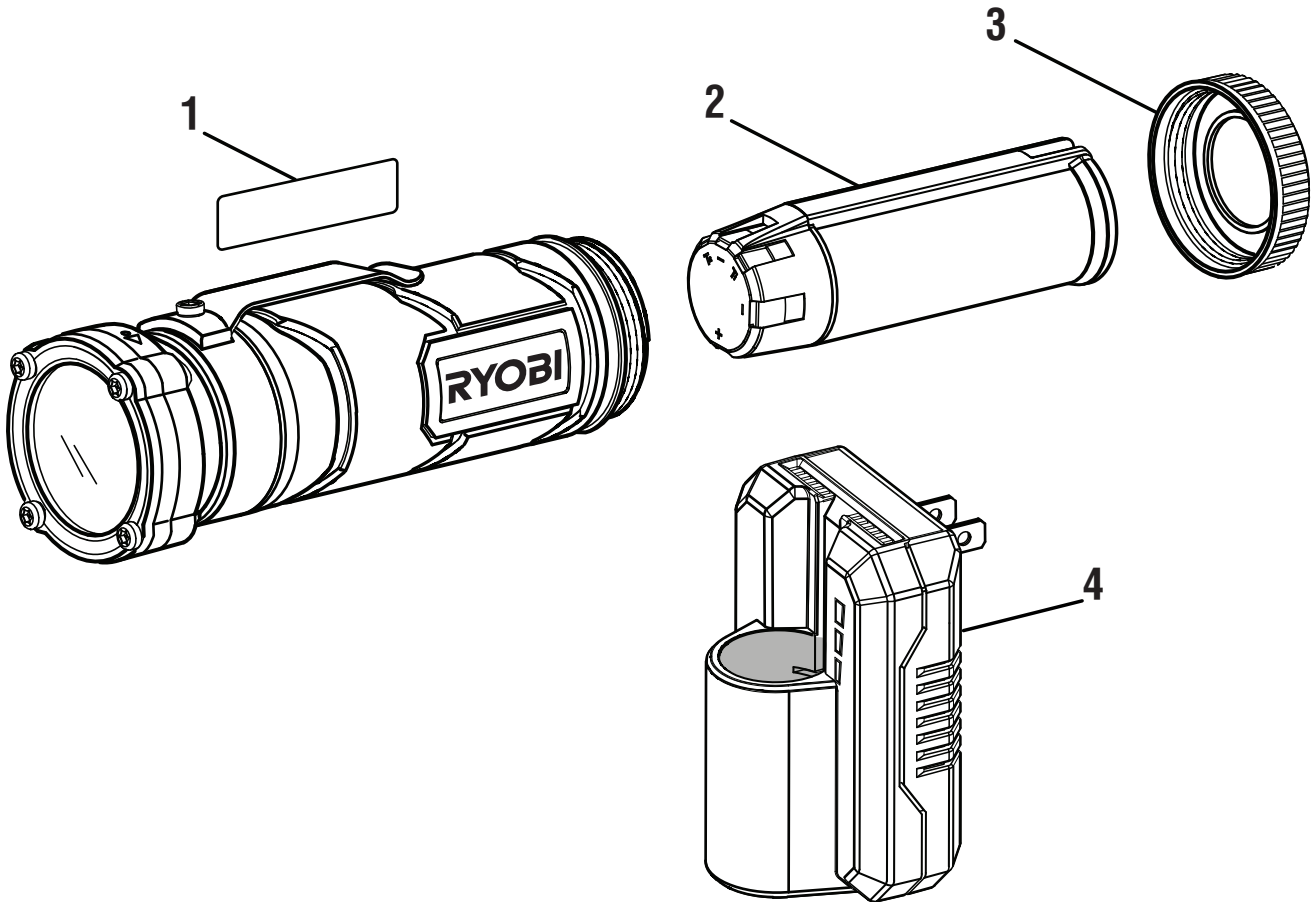


## RYOBI LED FLASHLIGHT – MODEL NO. RP4400

The model number will be found on a label attached to the housing. Always mention the model number in all correspondence regarding your **FLASHLIGHT** or when ordering replacement parts.



### PARTS LIST

| KEY NO. | PART NUMBER    | DESCRIPTION       | QTY. | KEY NO.           | PART NUMBER            | DESCRIPTION | QTY. |
|---------|----------------|-------------------|------|-------------------|------------------------|-------------|------|
| 1       | 83-187-R00H000 | Data Label .....  | 1    | <b>NOT SHOWN:</b> |                        |             |      |
| 2       | 130166003      | Battery Pack..... | 1    | 987000655         | Operator's Manual..... | 1           |      |
| 3       | 52-187-R04R000 | Battery Cap ..... | 1    |                   |                        |             |      |
| 4       | 140129002      | Charger.....      | 1    | 6-19-09           |                        |             |      |
|         |                |                   |      | (REV:00)          |                        |             |      |