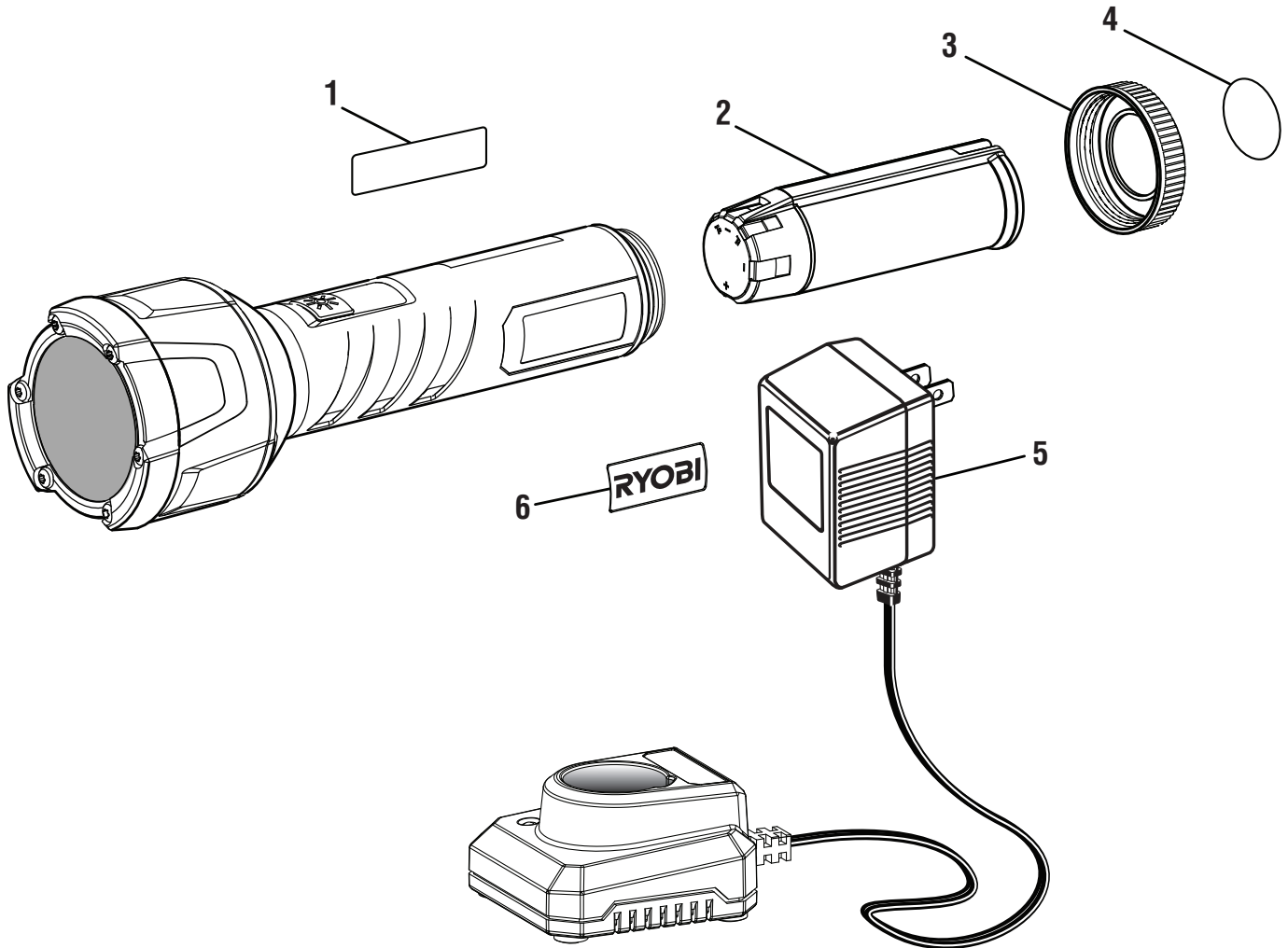


RYOBI LED FLASHLIGHT – MODEL NO. RP4450

The model number will be found on a label attached to the housing. Always mention the model number in all correspondence regarding your **FLASHLIGHT** or when ordering replacement parts.



PARTS LIST

KEY NO.	PART NUMBER	DESCRIPTION	QTY.	KEY NO.	PART NUMBER	DESCRIPTION	QTY.
1	83-187-F01H000	Data Label	1	NOT SHOWN:			
2	130166003	Battery Pack (AP4001)	1	140129012	Optional Charger (AP4700)	1	
3	67-187-A01H000P	Battery Cap	1	987000654	Operator's Manual (AP4700) ...	1	
4	83-187-R01H000	4V Label.....	1	987000706	Operator's Manual (AP4001) ...	1	
5	140132001	Charger (AP4800)	1	987000820	Operator's Manual (AP4800) ...	1	
6	83-187-F00R000	Logo Label	1	988000289	Operator's Manual (RP4450) ...	1	
				4-19-11			
				(REV:01)			