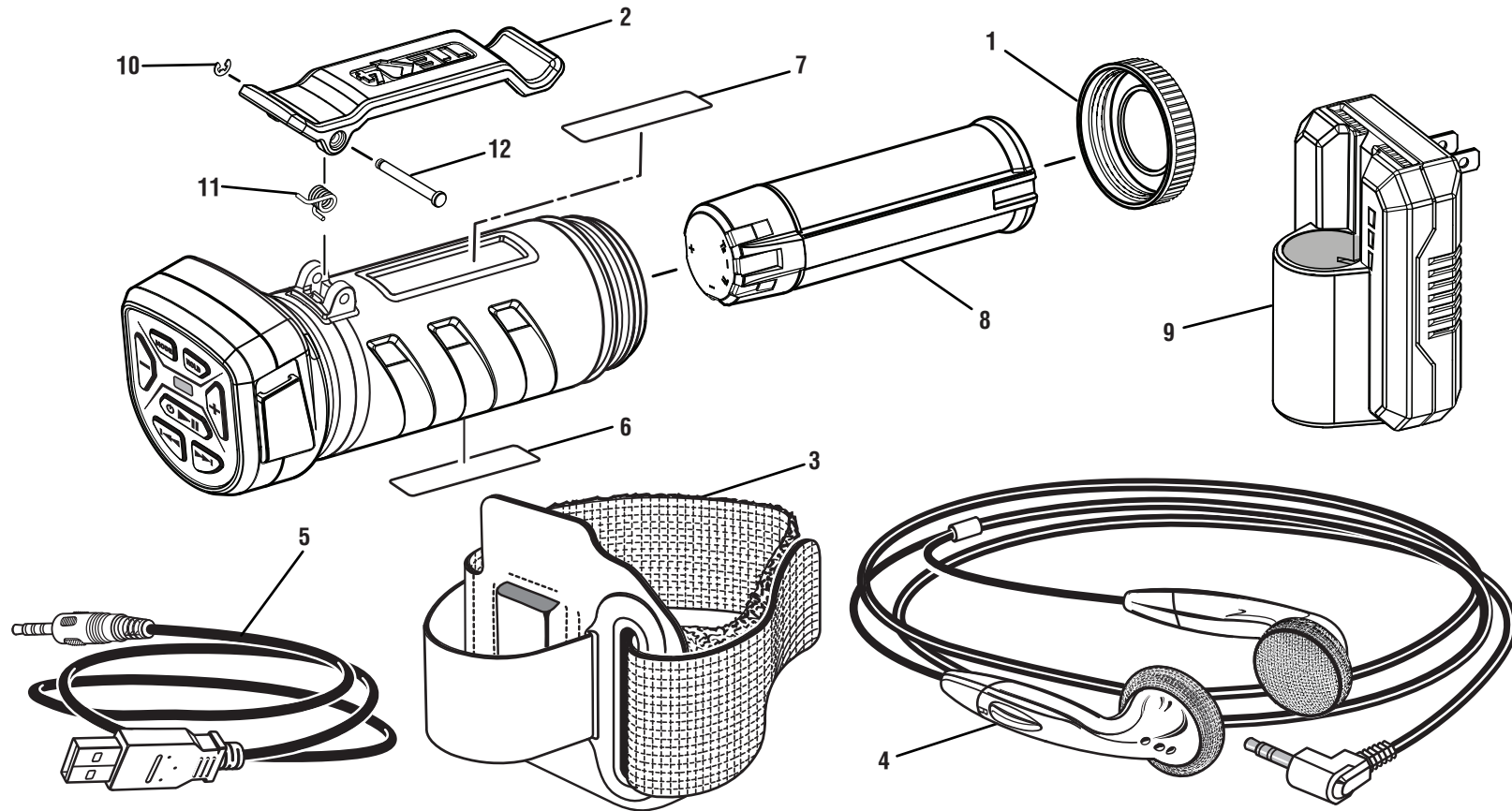


## TEK4® MP3 PLAYER

The model number will be found on the **MP3 PLAYER**. Always mention the model number in all correspondence regarding your **MP3 PLAYER** or when ordering replacement parts.



KEY NO.	PART NUMBER	DESCRIPTION	QTY.
1	019606001020	Battery Cap Assembly .....	1
2	019606001016	Belt Clip .....	1
3	019606001025	Armband .....	1
4	019606001024	Earbuds.....	1
5	019606001023	USB Cable .....	1
6	019606001026	Logo Label .....	1
7	019606001027	Data Label.....	1
8	130166003	Battery Pack (4 V Li-Ion, AP4001).....	1
9	140129002	4 V Charger .....	1
10	019606001017	E-Ring .....	1

KEY NO.	PART NUMBER	DESCRIPTION	QTY.
11	019606001018	Torsion Spring .....	1
12	019606001019	T-Pin .....	1
<b>NOT SHOWN:</b>			
	987000706	Operator's Manual (AP4001) (019606001035) .....	1
	987000654	Operator's Manual (AP4700) (019606001034) .....	1
	987000822	Operator's Manual (RP4510) (019606001033) .....	1
	12-9-09 (REV:01)		