

## Reciprocating saw - 3 601 F4E 110 - RS 325

www.powertools-aftersaleservice.com

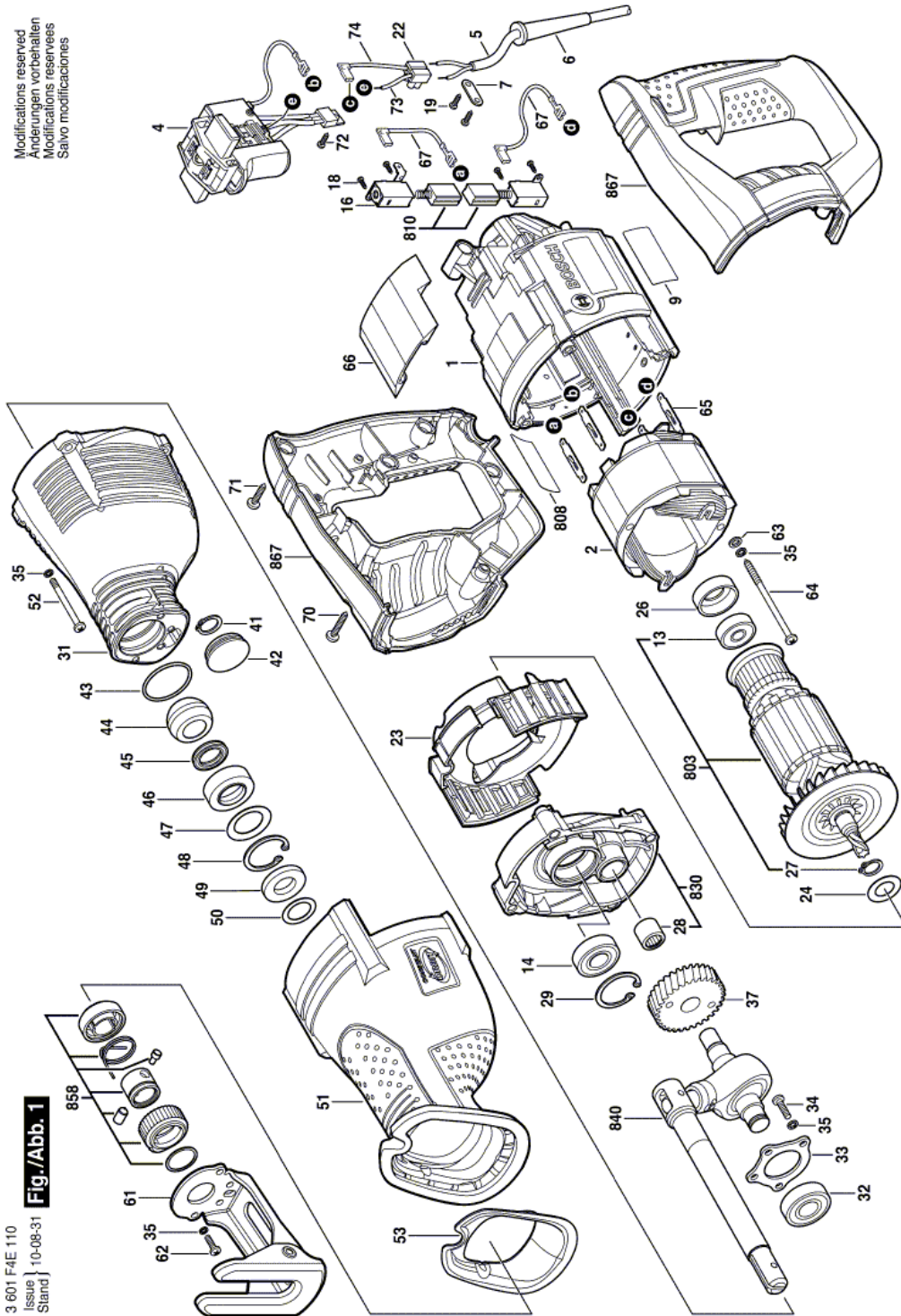


**BOSCH**

Item	Part Number	Description	Illustration	Price	Quantity	Price Group
1	2 610 010 009	Motor Housing	1	-,-	1	-
2	2 610 010 007	Stator 120V	1	-,-	1	-
4	2 610 010 014	Switch	1	-,-	1	31
5	2 610 020 919	Power supply cord	1	-,-	1	-
6	2 610 956 866	Cord guard	1	-,-	1	12
7	2 610 010 008	Clamp Bracket	1	-,-	1	10
9	2 610 010 026	Adhesive Label	1	-,-	1	-
13	2 610 010 004	Ball Bearing	1	-,-	1	20
14	2 610 956 889	groove ball bearing	1	-,-	1	20
16	2 610 956 874	Brush Holder	1	-,-	2	13
18	2 610 010 013	Thread-forming tap. Screw	1	-,-	4	10
19	2 610 956 867	Tapping Screw	1	-,-	2	10
22	2 610 956 870	Terminal Block	1	-,-	1	13
23	2 610 009 999	Baffle	1	-,-	1	-
24	2 610 010 000	Washer	1	-,-	1	10
26	2 610 013 249	Bearing Sleeve	1	-,-	1	10
27	2 610 010 001	Retaining clip	1	-,-	1	10
28	2 610 009 997	Needle-Roller Bearing	1	-,-	1	18
29	2 610 009 995	Retaining clip	1	-,-	1	10
31	2 610 009 984	Front Housing	1	-,-	1	-
32	2 610 009 986	Ball Bearing	1	-,-	1	21
33	2 610 009 987	Retaining Plate	1	-,-	1	13
34	2 610 009 988	Thread-forming tap. Screw	1	-,-	4	10
35	1 619 P04 820	Spring Washer	1	-,-	14	10
37	2 610 009 994	Conversion Gear	1	-,-	1	27
41	2 610 009 983	Retaining clip	1	-,-	1	12
42	2 610 009 982	Sealing cap	1	-,-	1	11
43	2 610 009 981	O-Ring	1	-,-	1	10
44	2 610 009 980	Bushing	1	-,-	1	23
45	2 610 009 979	Seal Ring	1	-,-	1	25
46	2 610 009 978	Sintered-Metal Bushing	1	-,-	1	16
47	2 610 009 976	Spring Washer	1	-,-	1	13
48	2 610 009 975	Retaining clip	1	-,-	1	10

Item	Part Number	Description	Illustration	Price	Quantity	Price Group
49	2 610 009 974	Felt Washer	1	-,-	1	10
50	2 610 009 973	Washer	1	-,-	1	10
51	2 610 009 972	Insulating Sleeve	1	-,-	1	-
52	2 610 009 977	Thread-forming tap. Screw	1	-,-	1	-
53	2 610 009 971	Cover Plate	1	-,-	1	-
61	2 610 009 963	Supporting foot	1	-,-	1	-
62	2 610 010 036	Screw	1	-,-	4	10
63	2 610 010 025	Locking Washer	1	-,-	2	10
64	2 610 010 006	Thread-forming tap. Screw	1	-,-	2	10
65	2 610 956 878	connecting terminal	1	-,-	4	12
66	2 610 010 010	Cover Plate	1	-,-	1	-
67	2 610 010 024	Connecting Cable	1	-,-	2	-
70	2 610 956 864	Tapping Screw	1	-,-	2	12
71	2 610 956 865	Tapping Screw	1	-,-	4	12
72	2 610 010 022	Tapping Screw	1	-,-	1	-
73	2 610 014 641	Connecting Cable	1	-,-	1	-
74	2 610 014 644	Connecting Cable	1	-,-	1	-
803	2 610 010 033	Armature set 120V	1	-,-	1	-
808	2 610 010 035	Nameplate	1	-,-	1	-
810	1 619 P04 838	Carbon-Brush Set	1	-,-	1	23
830	2 610 010 031	Bearing Bracket	1	-,-	1	-
840	2 610 010 030	Spindle Assembly	1	-,-	1	-
858	2 610 010 029	Blade Holder	1	-,-	1	32
867	2 610 010 034	Set Of Handles	1	-,-	1	-

Illustration - Type E



Information subject to change without further notice.