

Reciprocating saw - 3 601 F4C 610 - RS35

www.powertools-aftersaleservice.com

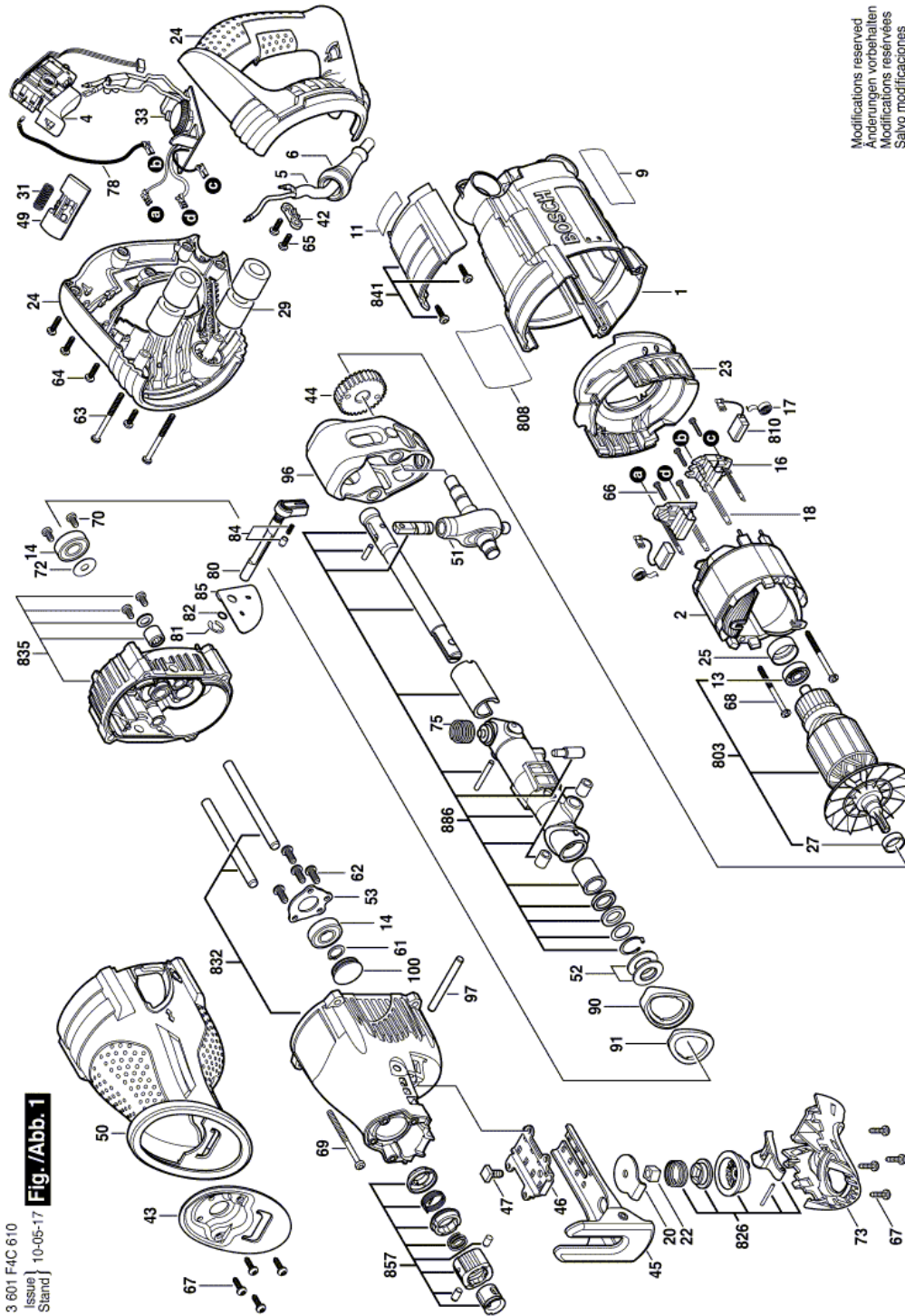


BOSCH

Item	Part Number	Description	Illustration	Price	Quantity	Price Group
1	2 610 947 439	Motor Housing	1	-,-	1	27
2	1 619 P06 247	Field 120V	1	-,-	1	33
4	2 610 948 333	Switch	1	-,-	1	29
5	2 610 948 700	Power supply cord	1	-,-	1	30
6	1 600 703 035	Grommet Ø8,7-Ø9,6x66 MM	1	-,-	1	13
9	2 610 951 864	Manufacturer's nameplate	1	-,-	1	13
11	1 619 P07 436	Sticker	1	-,-	1	-
13	1 619 P01 511	Ball Bearing	1	-,-	1	19
14	1 900 905 161	groove ball bearing 12x28x8	1	-,-	2	31
16	2 610 913 034	Brush Holder	1	-,-	2	13
17	3 604 652 500	Spiral Spring	1	-,-	2	10
18	1 604 477 005	Blade terminal	1	-,-	2	11
20	2 610 949 108	Pressure Plate 2 MM BLACK	1	-,-	1	10
22	2 610 949 111	Clamping Nut M 6x18	1	-,-	1	11
23	2 610 947 440	Air-Deflector Ring	1	-,-	1	18
24	2 610 947 441	Set Of Handles	1	-,-	1	30
25	3 600 206 501	Rubber Bushing	1	-,-	1	14
27	2 610 918 033	Spacer	1	-,-	1	12
29	2 610 947 442	Damping Bushing	1	-,-	4	12
31	2 604 610 096	Compression Spring	1	-,-	1	11
33	2 610 947 547	Electronics Module	1	-,-	1	34
42	2 610 993 191	Cable Clip	1	-,-	1	11
43	2 610 947 710	Cover Plate	1	-,-	1	19
44	2 610 908 802	Toothed Gear	1	-,-	1	26
45	2 610 949 103	Supporting foot BLACK	1	-,-	1	25
46	2 610 949 106	Retaining Plate BLACK	1	-,-	1	12
47	2 610 949 107	Locking Bolt M 6x18	1	-,-	1	11
49	2 610 947 548	Locking Lever	1	-,-	1	11
50	2 610 950 485	Insulating Sleeve	1	-,-	1	30
51	2 610 946 708	Wobble Plate	1	-,-	1	39
52	2 610 030 004	Felt Washer SP 14,0	1	-,-	2	12
53	2 610 949 114	Retaining Plate 2 MM	1	-,-	1	10
61	2 610 908 867	Spring retaining ring	1	-,-	1	13

Item	Part Number	Description	Illustration	Price	Quantity	Price Group
62	1 619 P01 447	Screw	1	-,-	4	10
63	1 619 P01 932	Screw BLACK	1	-,-	2	10
64	1 619 P02 780	Plastic-Cutting Screw	1	-,-	5	10
65	1 619 P04 543	Plastic-Cutting Screw	1	-,-	4	10
66	2 610 909 719	Screw BLACK	1	-,-	4	11
67	1 619 P01 931	Screw BLACK	1	-,-	8	10
68	1 619 P01 508	Screw	1	-,-	2	10
69	2 610 918 049	Screw	1	-,-	4	10
70	1 603 435 068	Thread-forming tap. Screw DIN 7500, M4x10, SR10.2	1	-,-	4	11
72	2 610 958 728	Sealing washer	1	-,-	1	10
73	2 610 947 544	Support Plate	1	-,-	1	16
75	2 610 947 545	Compression Spring	1	-,-	1	11
78	2 610 947 436	Connecting Cable	1	-,-	1	13
80	2 610 947 754	Lever Shaft	1	-,-	1	20
81	1 619 P00 443	Locking Washer	1	-,-	1	12
82	3 600 210 119	O-Ring 6,0x1,25 MM	1	-,-	1	18
84	2 600 590 006	Ratchet Cap	1	-,-	1	11
85	2 610 947 546	Insulator	1	-,-	1	10
90	2 610 947 538	Dust Cap BLACK	1	-,-	1	10
91	2 610 949 102	Seal	1	-,-	1	10
96	2 610 947 079	Counter Weight	1	-,-	1	37
97	1 619 P06 432	Straight Pin ISO 8734	1	-,-	1	10
100	2 610 949 115	Sealing Cap	1	-,-	1	10
803	2 610 951 866	Armature 120V	1	-,-	1	44
808	2 610 949 117	Nameplate	1	-,-	1	13
810	2 610 920 682	Carbon-Brush Set	1	-,-	1	23
826	2 610 957 950	Adjustment Knob	1	-,-	1	21
832	2 610 957 951	Front Housing	1	-,-	1	33
835	2 610 957 952	Bearing Bracket	1	-,-	1	32
841	1 619 P07 659	Cover Plate	1	-,-	1	-
857	2 610 920 684	Toolholder	1	-,-	1	34
886	2 610 957 953	Spindle Assembly	1	-,-	1	43

Illustration - Type E



3 601 F4C 610
Issue } 10-05-17
Stand } **Fig./Abb. 1**

Modifications reserved
Änderungen vorbehalten
Modifications réservées
Salvo modificaciones

Information subject to change without further notice.