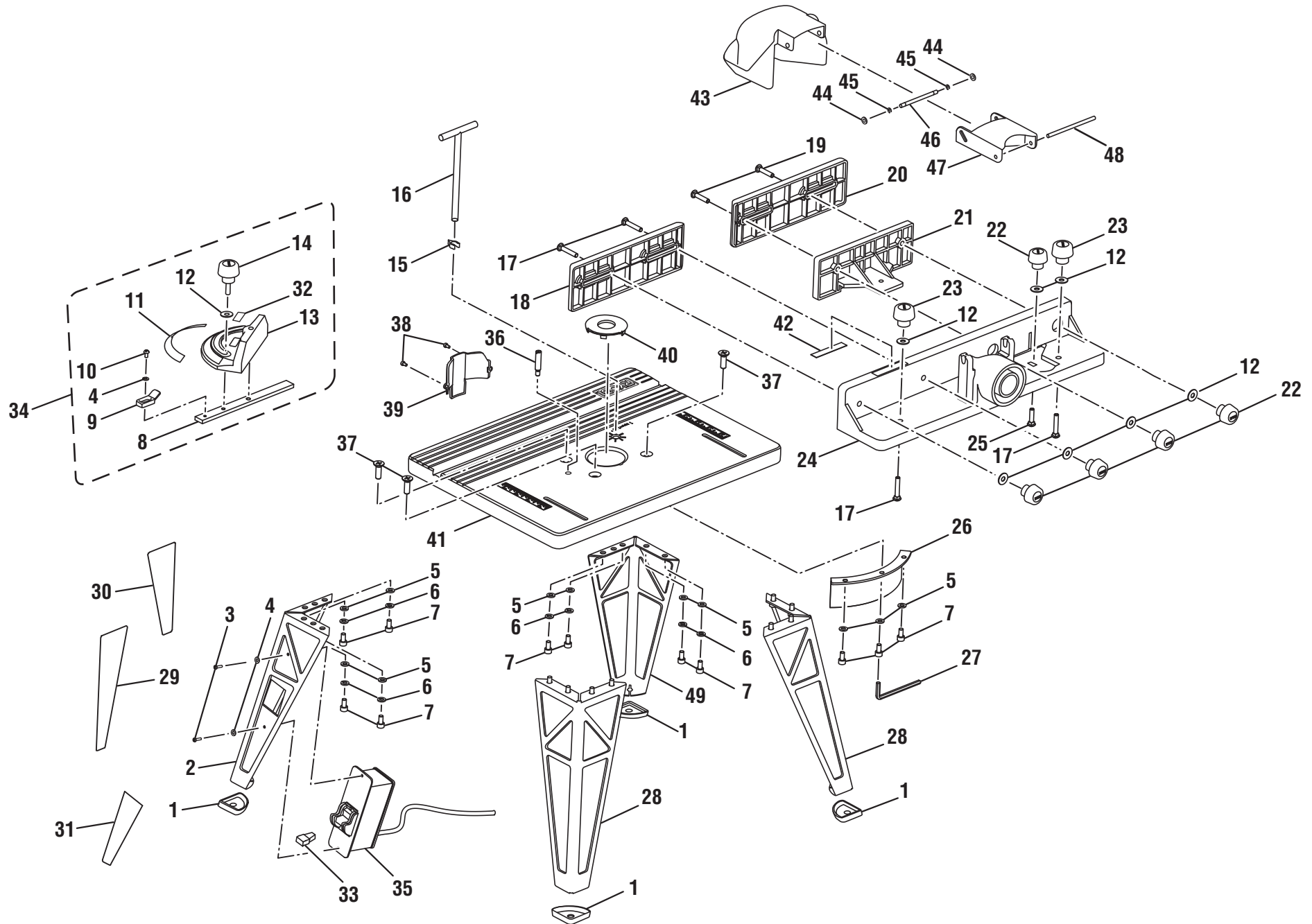


RYOBI ROUTER TABLE - MODEL NUMBER RT102



**RYOBI ROUTER TABLE – MODEL NUMBER RT102**

**PARTS LIST**

<b>KEY NO.</b>	<b>PART NUMBER</b>	<b>DESCRIPTION</b>	<b>QTY</b>	<b>KEY NO.</b>	<b>PART NUMBER</b>	<b>DESCRIPTION</b>	<b>QTY</b>
1	120006223001	RUBBER PAD.....	4	30	120006223054	WARNING LABEL (SPANISH & FRENCH) .....	1
2	120006223002	LEG A (FOR SWITCH BOX ).....	1	31	940045061	DATA LABEL.....	1
3	120006223010	* SCREW (M3.5 x 9.5 mm) .....	2	32	120006223056	LOGO LABEL .....	1
4	120006223004	* FLAT WASHER (4) .....	3	33	120006223060	SWITCH KEY .....	1
5	120006223005	* FLAT WASHER (6) .....	19	34	120006223059	MITER GAUGE ASSEMBLY (INC. KEY NOS. 4, 8-14 AND 32).....	1
6	120006223006	* SPRING WASHER (6).....	16	35	120006223058	SWITCH ASSEMBLY (INC. KEY NO. 33).....	1
7	120006223007	* SCREW (M6 x 12 mm SOCKET HEAD) .....	19	36	120006223034	STARTER PIN.....	1
8	120006223008	MITER GAUGE BAR.....	1	37	120006223049	* SCREW (5/16-18 x 1 in.) .....	3
9	120006223009	MITER GAUGE POINTER .....	1	38	120006223048	* SCREW (#6-32).....	2
10	120006223011	* SCREW (M4 x 8 mm) .....	1	39	120006223047	REAR CHIP SHIELD.....	1
11	120006223012	MITER SCALE LABEL .....	1	40	120006223035	THROAT PLATE-A (Ø1/2 in.) .....	1
12	120006223013	FLAT WASHER.....	8		120006223036	THROAT PLATE-B (Ø1 in.) .....	1
13	120006223014	MITER GAUGE.....	1		120006223037	THROAT PLATE-C (Ø1-3/16 in.).....	1
14	120006223015	MITER GAUGE KNOB .....	1		120006223038	THROAT PLATE-D (Ø1-1/2 in.).....	1
15	120006223051	T WRENCH POINTER .....	1		120006223039	THROAT PLATE-E (Ø2 in.).....	1
16	120006223050	T WRENCH .....	1	41	120006223033	TABLE .....	1
17	120006223016	* CARRIAGE BOLT (M6 x 35 mm) .....	4	42	120006223040	FEED DIRECTION LABEL .....	1
18	120006223017	SLIDING FENCE (R) .....	1	43	120006223041	CUTTER GUARD.....	1
19	120006223018	* CARRIAGE BOLT (M6 x 30 mm) .....	2	44	120006223042	FLAT WASHER.....	2
20	120006223019	SLIDING FENCE (L).....	1	45	120006223043	* E-RING (3.5).....	2
21	120006223020	ADJUST FENCE.....	1	46	120006223044	GUARD ROD.....	1
22	120006223021	LOCK KNOB (Ø28).....	5	47	120006223045	CUTTER GUARD BRACKET .....	1
23	120006223022	FENCE LOCK KNOB (Ø32) .....	2	48	120006223046	HINGE PIN .....	1
24	120006223023	FENCE.....	1	49	120006223055	LEG (FOR SPANISH & FRENCH WARNING LABEL)..	1
25	120006223024	* CARRIAGE BOLT (M6 x 25 mm) .....	1		983000985	OPERATOR'S MANUAL (960931081)	
26	120006223025	UNDER TABLE GUARD .....	1		01-25-07		
27	120006223052	HEX KEY .....	1		(REV:00)		
28	120006223026	LEG .....	2				
29	120006223053	WARNING LABEL (ENGLISH) .....	1				

\* STANDARD HARDWARE ITEM – MAY BE PURCHASED LOCALLY