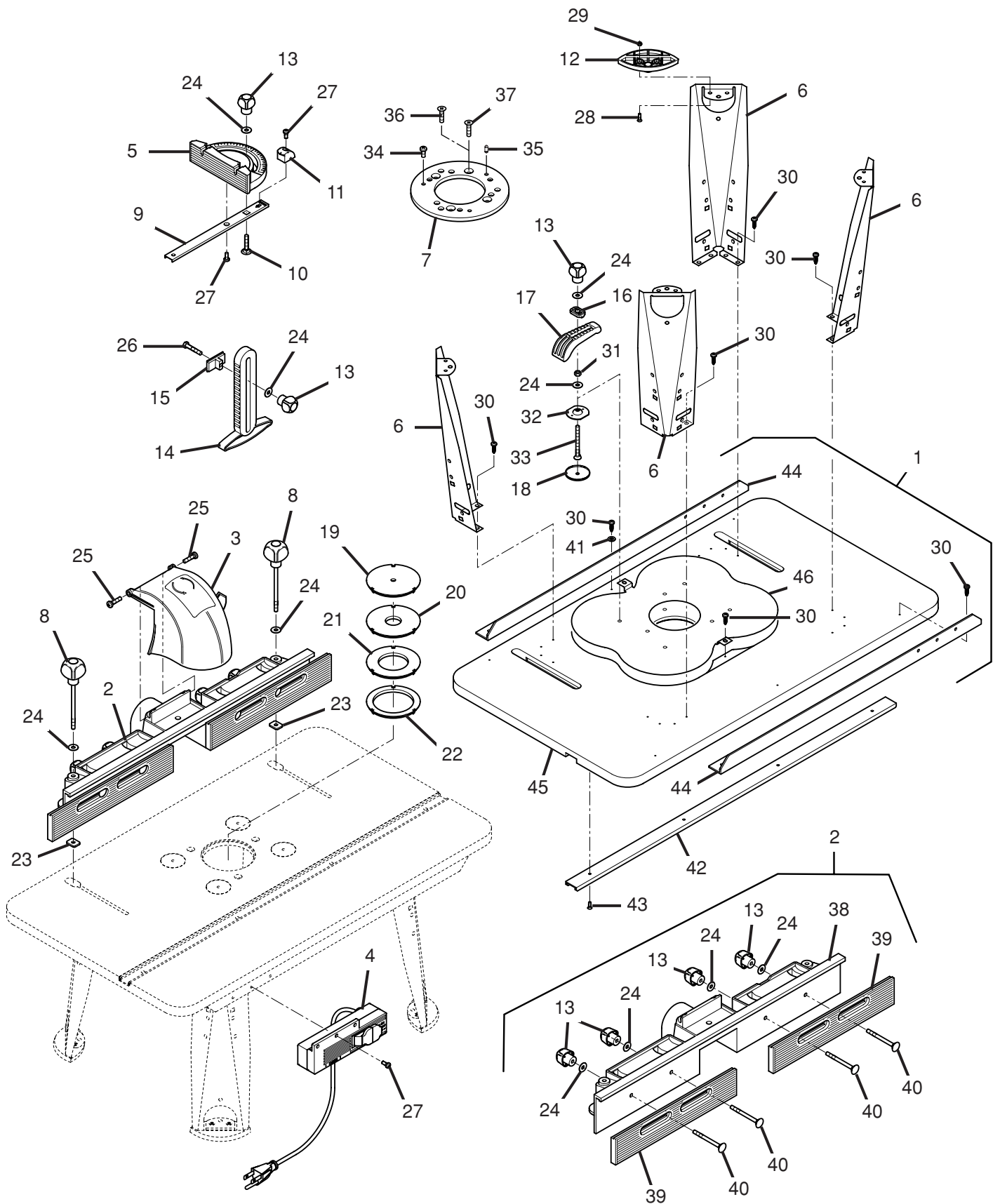


REPAIR PARTS



REPAIR PARTS

| KEY NO. | ITEM | Part NO. | DESCRIPTION | QTY. |
|--|------|------------------|---------------------------------------|------|
| 1 | C | 119800419 | Tabletop | 1 |
| 2 | B | 119900666 | Fence | 1 |
| 3 | A | 116600681 | Safety shield | 1 |
| 4 | G | 117920107 | Switch box | 1 |
| 5 | E | 116310035 | Miter guide | 1 |
| 6 | D | 117020052 | Leg | 4 |
| 7 | F | 119800217 | Adapter plate | 1 |
| Hardware bag 1 | | 119800219 | | |
| 8 | T | 119800225 | Knob screw | 2 |
| 9 | X | 117010029 | Miter bar | 1 |
| 10 | AA | 116700171 | Carriage bolt (M6x30) | 1 |
| 11 | W | 116620424 | Miter pointer | 1 |
| 12 | V | 116600684 | Footpad | 4 |
| 13 | S | 119800224 | Knob | 8 |
| Hardware bag 2 | | 119800226 | | |
| 14 | H | 116610046 | Featherboard | 3 |
| 15 | J | 116410139 | Sliding block | 3 |
| 16 | Q | 116610042 | Swivel piece | 4 |
| 17 | R | 116420119 | Clamp | 4 |
| 18 | K | 116610685 | Cap for tabletop | 4 |
| 19 | L | 116600710 | Insert 1 | 1 |
| 20 | M | 116600711 | Insert 2, small hole | 1 |
| 21 | N | 116610059 | Insert 3, medium hole | 1 |
| 22 | P | 116610060 | Insert 4, large hole | 1 |
| Hardware bag 3 | | 119900167 | | |
| 23 | Z | 117210158 | Flat nut (M6) | 2 |
| 24 | AE | 116700165 | Washer (6,4 DIN 9021) | 14 |
| 25 | AH | 116700177 | Pan head screw (M6x25) | 2 |
| 26 | AJ | 116700178 | Hex head bolt (M6x35) | 3 |
| 27 | AF | 116700163 | Self tapping pan head screw (M5x12) | 5 |
| 28 | AK | 116700179 | Countersink screw (M4x12) | 8 |
| 29 | AL | 116700180 | Hex nut (M4) | 8 |
| 30 | AB | 116700186 | Pan head screw (5x16) | 16 |
| 31 | AD | 116700167 | Hex nut (M6) | 4 |
| 32 | U | 117210157 | Flange nut | 4 |
| 33 | AC | 116700172 | Countersink screw with nose (M6x65) | 4 |
| 34 | AG | 116700190 | Pan head screw (M6x12) | 3 |
| 35 | Y | 116550017 | Locating pin | 3 |
| 36 | AM | 119900141 | Countersink screw (5/16" - 18 x 3/4") | 3 |
| 37 | AN | 119900212 | Countersink screw (M8x20) | 3 |
| Repair parts fence (Key No. 2) | | | | |
| 13 | S | 119800224 | Knob | 4 |
| 24 | AE | 116700165 | Washer (6,4 DIN 9021) | 4 |
| 38 | | 116600677 | Fence | 1 |
| 39 | | 116600678 | Adjustable fence | 2 |
| 40 | | 116700166 | Carriage bolt (M6x65) | 4 |
| Repair parts tabletop (Key No. 1) | | | | |
| 30 | AB | 116700186 | Pan head screw (M5x16) | 8 |
| 41 | | 116700175 | Washer (6,4 DIN 125) | 2 |
| 42 | | 116410138 | Miter chanel | 1 |
| 43 | | 116700187 | Countersink screw (M4x12) | 4 |
| 44 | | 117020010 | L-bracket | 2 |
| 45 | | 117920147 | Tabletop | 1 |
| 46 | | 117010031 | Reinforcement plate | 1 |