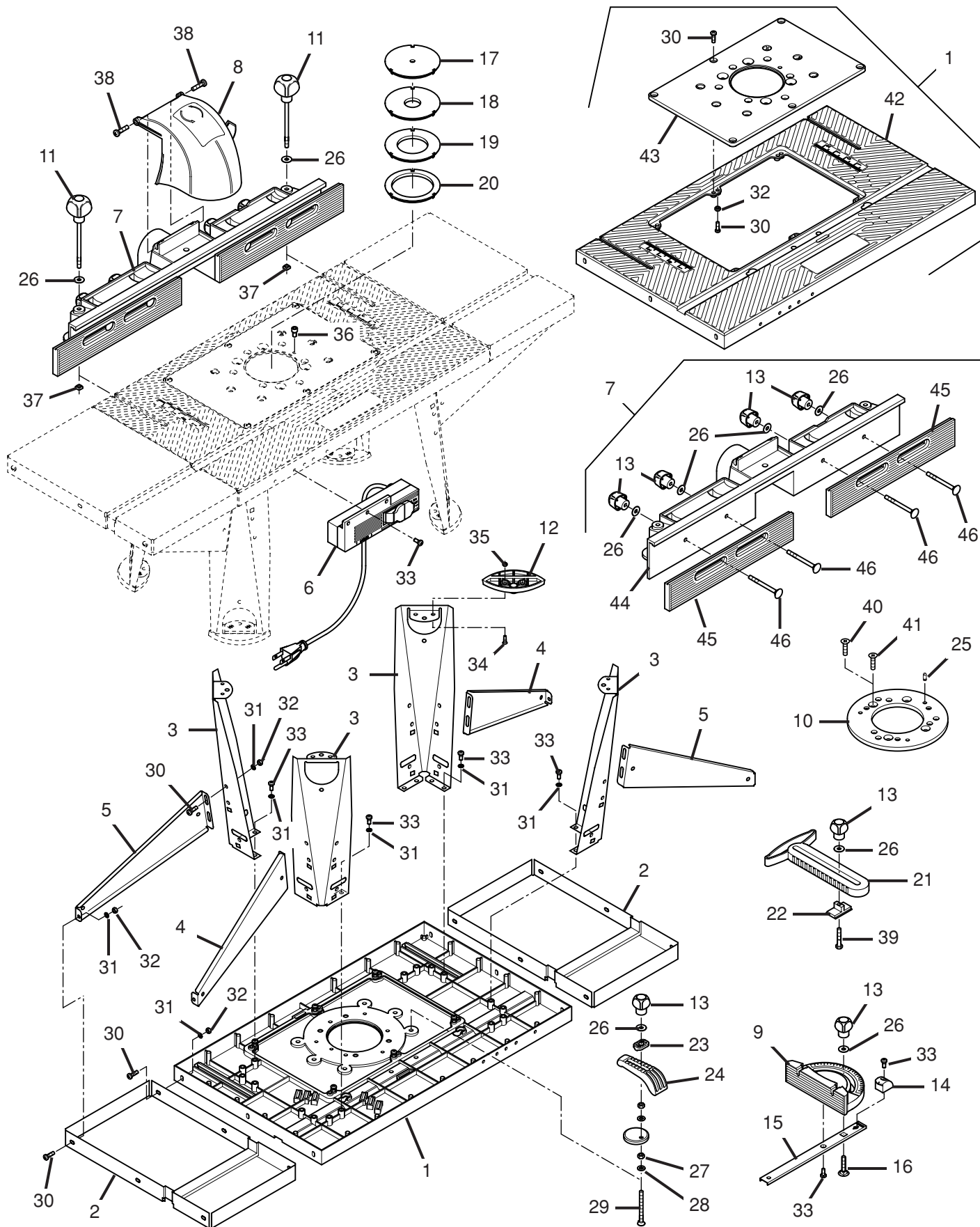


# REPAIR PARTS



# REPAIR PARTS

KEY NO.	ITEM	Part NO.	DESCRIPTION	QTY.
1	C	115980232	Tabletop	1
2	D	117010153	Extension	2
3	G	117020052	Leg	4
4	F	117010061	Leg support, right	2
5	E	117010060	Leg support, left	2
6	H	117920107	Switch box	1
7	B	119900666	Fence	1
8	A	116600681	Safety shield	1
9	J	116310035	Miter guide	1
10	U	119800217	Adapter plate	1
<b>Hardware bag 1</b>		<b>119900173</b>		
11	L	119800162	Knob screw	2
12	P	116600684	Footpad	4
13	M	119800224	Knob	8
14	N	116620424	Miter pointer	1
15	K	117010029	Miter bar	1
16	AA	116700171	Carriage bolt (M6x30)	1
<b>Hardware bag 2</b>		<b>119900175</b>		
17	W	116600710	Insert 1	1
18	X	116600711	Insert 2, small hole	1
19	Y	116610059	Insert 3, medium hole	1
20	Z	116610060	Insert 4, large hole	1
21	Q	116610046	Featherboard	3
22	R	116410139	Sliding block	2
23	S	116610042	Swivel piece	4
24	T	116420119	Clamp	4
<b>Hardware bag 3</b>		<b>119900177</b>		
25	V	116550017	Locating pin	3
26	AK	116700165	Washer (6,4 DIN 9021)	10
27	AQ	116700167	Hex nut (M6)	4
28	AL	116700175	Washer (6,4 DIN 125)	4
29	AB	116700172	Countersink screw with nose (M6x65)	4
30	AD	116700163	Pan head screw (5x16)	18
31	AM	116700183	Toothed washer (5,3 DIN 6797)	34
32	AP	116700164	Hex nut (M5)	18
33	AC	116700176	Self tapping pan head screw (M5x12)	21
34	AJ	116700179	Countersink screw (M4x12)	8
35	AN	116700180	Hex nut (M4)	8
36	AH	116700185	Allen screw (M6x10)	1
37	AR	116700184	Square nut (M6)	2
38	AE	116700177	Pan head screw (M6x25)	2
39	AF	116700178	Hex head bolt (M6x35)	3
40	AS	119900141	Countersink screw (5/16" - 18 x 3/4")	3
41	AT	119900212	Countersink screw (M8x20)	3
<b>Repair parts tabletop (Key No. 1)</b>				
42		116420210	Tabletop	1
43		116420220	Drop in plate	1
30	AD	116700163	Pan head screw (5x16)	12
32	AP	116700164	Hex nut (M5)	6
<b>Repair parts fence (Key No. 7)</b>				
44		116600677	Fence	1
45		116600678	Adjustable fence	2
46		116700166	Carriage bolt (M6x65)	4
13	M	119800224	Knob	4
26	AK	116700165	Washer (6,4 DIN 9021)	4