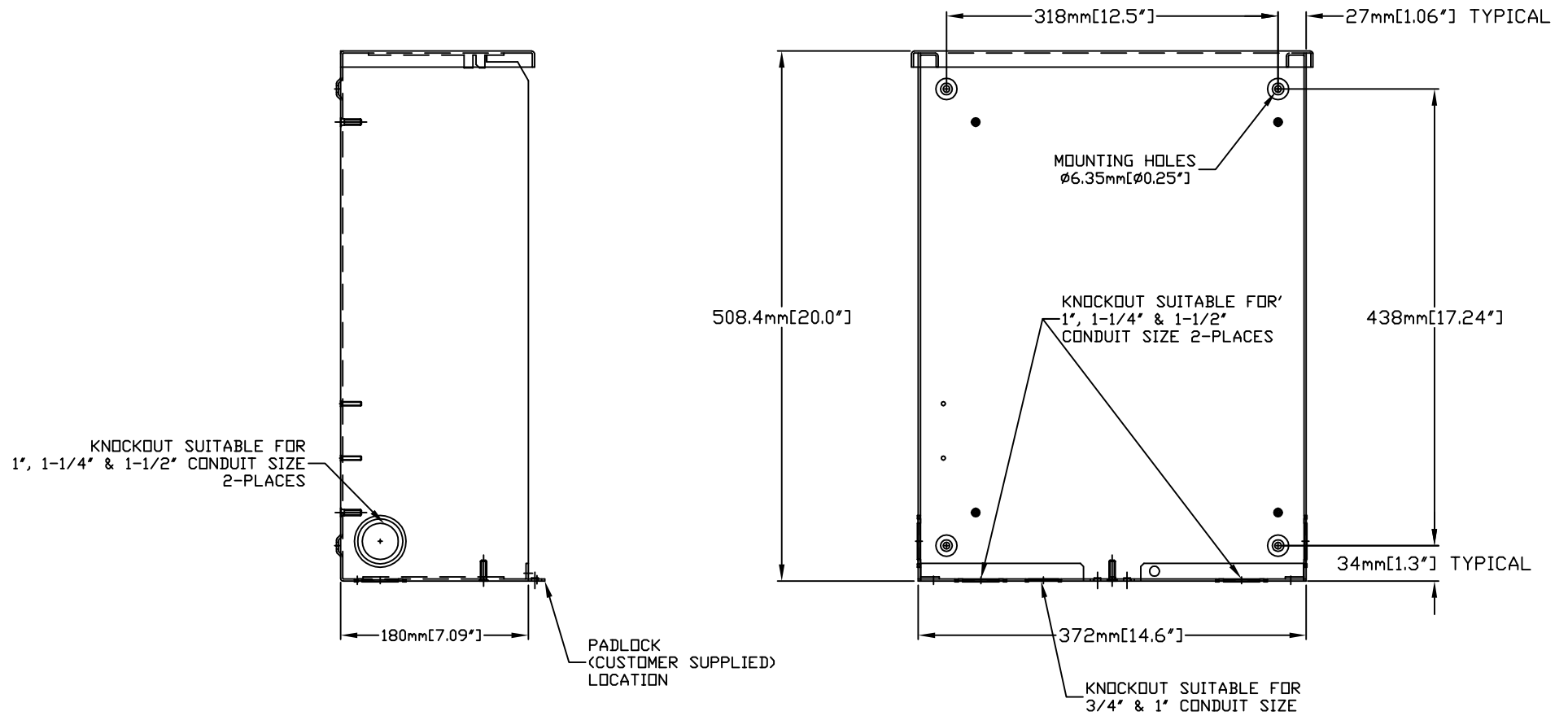


# GROUP C



ITEM #	PART #	QTY	DESCRIPTION
1	0L2910	1	XFRSW HSB 100A 2P 250V
2	074908	4	SCREW HHTT M5-0.8 X 10 BP
3	077033	6	LUG SLDLSS 1/0-#14X9/16 AL/CU
4	0G7624	6	SCREW PPHM #10-32 X 5/16
5	022152	6	WASHER LOCK #10
6	0A1495	4	SCREW HHTT M4-0.7 X 10 BP
7	0G74138	1	LUG DIS QK NI-S 10X45 DEG BR/T
** 8	0K0103	1	RELAY PNL 12VDC DPDT 10A@240VA
** 9	0D2572	1	FUSEBLOCK 30A 600V 3POS W/SO
10	073590A	3	FUSE 5A X BUSS
** 11	0D7393T	1	TERM BLOCK 3P UL 12-20AWG
12	0L3068	2	SCREW THTT M3-0.5 X 25 ZP
13	0K0108	1	ASSY-NEUT BLK 100A
14	090388	2	SCREW HHTT M6-1.0 X 12 ZINC
15	0K0120ALOR	1	ENCLOSURE 100/200A XFER SW_RAW
16	0K01130ALOR	1	COVER 100A XFER SWITCH_INST_RAW
17	0K0114	1	SUBPLATE, 100/200A XFER SW
18	0H7917	1	DECAL CUSTOMER CONN RTS
19	0G8411	6	NUT HEX FL WHIZ 1/4-20
20	0A9457	1	DECAL, NEUTRAL
21	0A9517	1	DECAL MANUAL 5A FUSE
* 22	0K1098	1	DECAL RTS TRANSFER SW GENERAC
23	0K1800	1	DECAL TEST SEQUENCE 100/200A NON
24	0G3274	1	DECAL LIVE CIRCUIT ENG/FRN/SPN
25	0H6389	1	DECAL UTILITY LOAD SENSE 240V
26	0J8202	1	LUG SLDLSS 2/0-#14X#10-32X.125
27	026850	2	WASHER LOCK EXT 1/4 STL
28	022473	4	WASHER FLAT 1/4-M6 ZINC
* 29	0K1799A	1	DECAL DATA NON SE SW 100A
30	085296	1	SCREW HHC 1/4-20 X 1/2 SS
31	0D6162	2	RIVET POP .156 X .362 AL
32	0E6155	1	PIN ARM EXTENDER
33	0E6193	1	BRACKET, ARM EXTENDER
34	0F2659	2	SCREW HHTT M3-0.5 X 6 BP
35	0A2115	1	WASHER NYLON .257
36	026902	1	SCREW HHTT #8-32 X 1/4 CZ
37	0H7270	1	CHANNEL SNAPTRACK 76.2 X 101.2
38	0L3123	1	ASSY SMART AC MOD
39	0H7274	1	DECAL NEC COMPLIANCE
40	0L6699	1	NUT TRIC 1/4-20 ALUM
41	0L3246	1	WIRE HARNESS 100/200A RTS

\*SERIAL NUMBER AND FRONT DECAL PER MODEL  
 \*\*SUPPLIED WITH HARNESS ITEM #41

PART NUMBER	DESCRIPTION	ITEM # 29	ITEM # 22
OL3210	ASSEMBLY 100A 120/240 NON SE	OK1799A	PER MODEL
OL3210A	EXPLODED VIEW DRAWING	N/A	N/A
OL3210B	ASSEMBLY 100A 120/240 NON SE	OK1799A	OK1098
OL3210C	ASSEMBLY 100A 120/240 NON SE	OJ3806A	OK1274

GENERAL TOLERANCES UNLESS NOTED

ALL XX ± 0.4 MM  
 XXX ± 0.4 MM  
 XXXX ± 0.8 MM  
 ALL ANG ± F

THIRD ANGLE PROJECTION

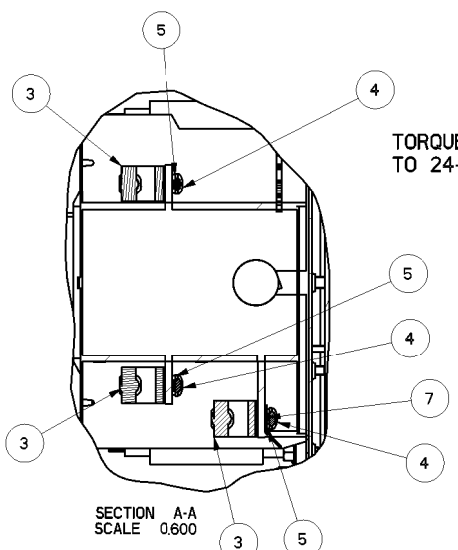
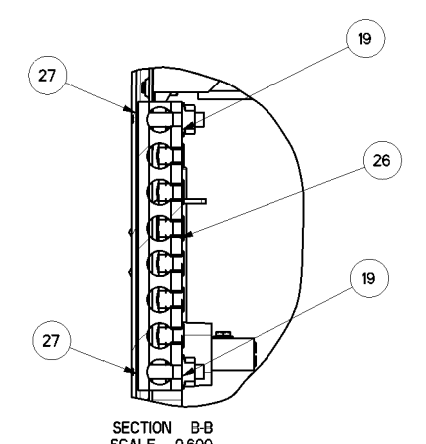
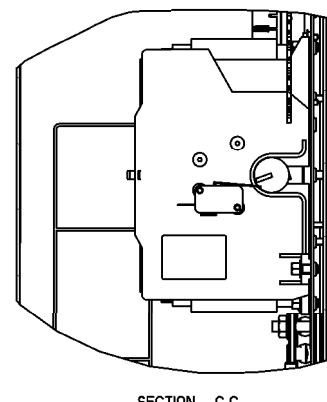
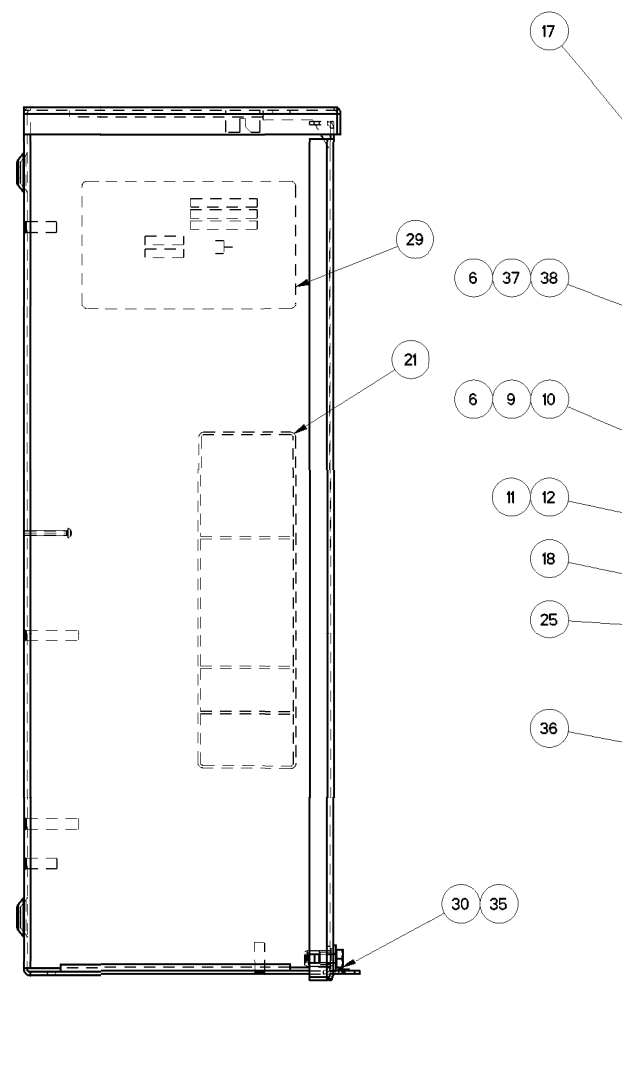
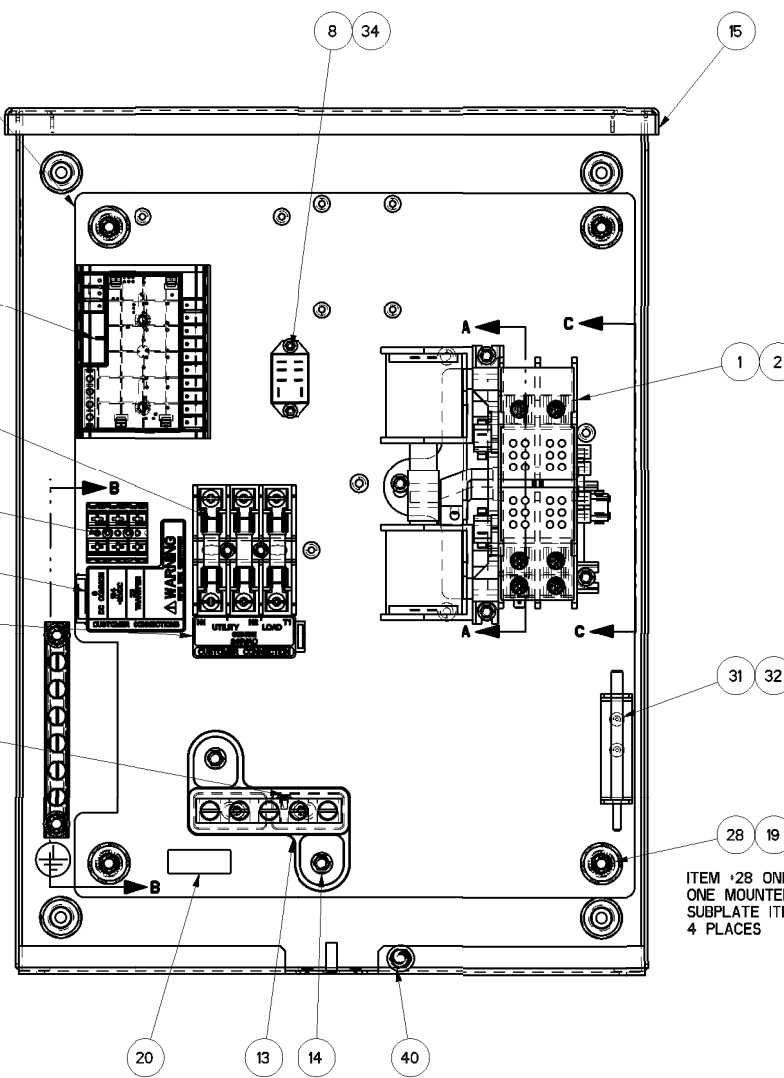
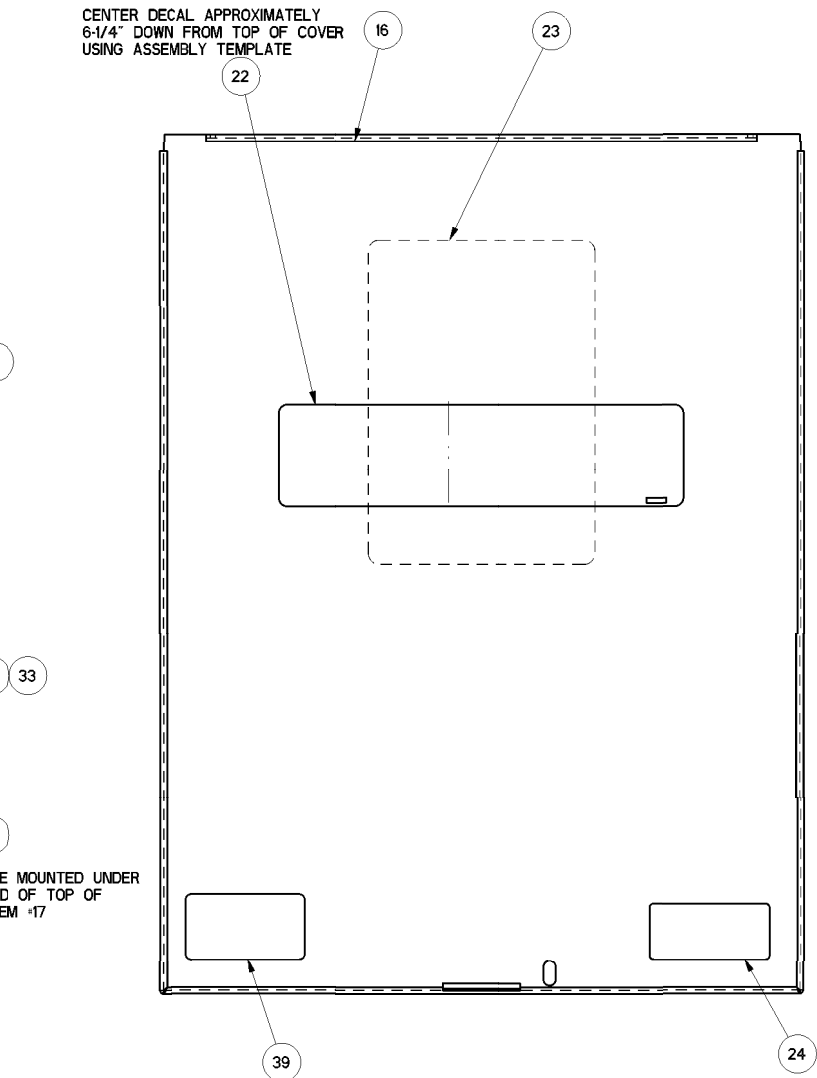
INTERPRET DIM AND TOL PER ASME Y14.5M-1994

© GENERAL POWER SYSTEMS 2010

ISSUE DATE: \_\_\_\_\_

SIZE: D CAGE NO: N/A DWG NO: **OL3210\$** REV: C

SCALE: 0.450 WT-KG 22428213.10 SHEET 1 of 1



REFERENCE DRAWINGS  
 OL3241 SCHEMATIC/WIRING DIAGRAMS  
 OF6778 CARTON 30.5 X 14.2 X 7.8  
 0H7275 TEST PROC HSB XFRSW  
 OK0115 KIT ENCL 100/200A NON SE AL

GENERAL ASSEMBLY DRAWING

DRAWING CREATED FROM PRO/ENGINEER 3D FILE. ECO MODIFICATION TO BE APPLIED TO SOLID MODEL ONLY.

SH	I/I	REV	C	WINDMILL VERSION	C.2	DESCRIPTION
						ITEM # PART # QTY
						1 0L2911 1 XFRSW HSB 200A 2P 250V
						2 074908 5 SCREW HHTT M5-0.8 X 10 BP
						3 0E3375 6 LUG SLDLSS 250-H6 AL/CU
						4 0F1252 6 SCREW BHSC 1/4-20 X 3/8
						5 022097 6 WASHER LOCK M6-1/4
						6 0A1495 4 SCREW HHTT M4-0.7 X 10 BP
**						7 0K0103 1 RELAY PNL 12VDC DPDT 10A@240VA
**						8 0D2572 1 FUSEBLOCK 30A 600V 3POS W/SO
						9 073590A 3 FUSE 5A X BUSS
**						10 0D7393T 1 TERM BLOCK 3P UL 12-20AWG
						11 0L3068 2 SCREW HHTT M3-0.5 X 25 ZP
						12 0K0108A 1 ASSY-NEUT BLK 200A W/TAP
						13 090388 2 SCREW HHTT M6-1.0 X 12 ZINC
						14 0K01120ALOR 1 ENCLOSURE 100/200A XFER SW_RAW
						15 0K01130ALOR 1 COVER 100A XFER SWITCH_INST_RAW
						16 0K0114 1 SUBPLATE, 100/200A XFER SW
						17 026902 1 SCREW HHTT #8-32 X 1/4 CZ
*						18 0K1799B 1 DECAL DATA NON SE SW 200A
						19 0A9517 1 DECAL MANUAL 5A FUSE
						20 0A9457 1 DECAL, NEUTRAL
						21 0E6033 2 90 DEGREE DN SPADE CONNECTOR
						22 0K1800 1 DECAL TEST SEQUENCE 100/200A NON
						23 0G3274 1 DECAL LIVE CIRCUIT ENG/FRN/SPN
						24 0H6389 1 DECAL UTILITY LOAD SENSE 240V
						25 0J8202 1 LUG SLDLSS 2/0-H14X#10-32X.125
						26 026850 2 WASHER LOCK EXT 1/4 STL
						27 022473 4 WASHER FLAT 1/4-M6 ZINC
						28 0A2115 1 WASHER NYLON .257
						29 085296 1 SCREW HHC 1/4-20 X 1/2 SS
						30 0D6162 2 RIVET POP .156 X .362 AL
						31 0E6155 1 PIN ARM EXTENDER
						32 0E6193 1 BRACKET, ARM EXTENDER
						33 0F2659 2 SCREW HHTT M3-0.5 X 6 BP
						34 0G8411 6 NUT HEX FL WHIZ 1/4-20
*						35 0K1098 1 DECAL RTS TRANSFER SW GENERAC
						36 0H7274 1 DECAL NEC COMPLIANCE
						37 0H7917 1 DECAL CUSTOMER CONN RTS
						38 0H7270 1 CHANNEL SNAPTRACK 76.2 X 101.2
						39 0L3123 1 ASSY SMART AC MOD
						40 0L6699 1 NUT TRIC 1/4-20 ALUM
						41 0L3246 1 WIRE HARNESS 100/200A RTS

\*SERIAL NUMBER AND FRONT DECAL PER MODEL  
 \*\*SUPPLIED WITH HARNESS ITEM #41

PART NUMBER	DESCRIPTION	ITEM # 18	ITEM # 35
0L3211	ASSEMBLY 200A 120/240 NON SE	0K1799B	PER MODEL
0L3211A	EXPLODED VIEW DRAWING	N/A	N/A
0L3211B	ASSEMBLY 200A 120/240 NON SE	0K1799B	0K1098
0L3211C	ASSEMBLY 200A 120/240 NON SE	0J3806B	0K1274

GENERAL TOLERANCES UNLESS NOTED

ALL XX : ± 0.4 MM	THIRD ANGLE PROJECTION		<b>GENERAC</b> TITLE <b>ASSEMBLY DWG 2-POLE          200A 120/240V</b>
XXX : ± 0.4 MM	INTERPRET DIM AND TOL PER ASME Y14.5M-1994		
XXX : ± 0.5 MM		ISSUE DATE:	
ALL AND : ± .7		SIZE D	CAGE NO N/A
		DWG NO	<b>0L3211\$</b>
		SCALE 0.450	WT-KG 22428213.136HEET 1 of 1

GENERAC POWER SYSTEMS (PMS) IS THE COPYRIGHTED AND TRADE MARKED SERVICE OF GENERAC. THE INFORMATION ON THIS DRAWING IS THE PROPERTY OF GENERAC. IT IS TO BE USED FOR THE MANUFACTURE OF THE PRODUCT ONLY. IT IS NOT TO BE REPRODUCED OR TRANSMITTED IN ANY FORM OR BY ANY MEANS, ELECTRONIC OR MECHANICAL, INCLUDING PHOTOCOPYING, RECORDING, OR BY ANY INFORMATION STORAGE AND RETRIEVAL SYSTEM, WITHOUT THE EXPRESS WRITTEN CONSENT OF GENERAC POWER SYSTEMS. © GENERAC POWER SYSTEMS 2010

ELECTRONICALLY APPROVED  
 18 DEC WINDMILL

CENTER DECAL APPROXIMATELY  
 6-1/4" DOWN FROM TOP OF COVER  
 USING ASSEMBLY TEMPLATE

ITEM #27 ONE MOUNTED UNDER  
 ONE MOUNTED OF TOP OF  
 SUBPLATE ITEM #16  
 4 PLACES

TORQUE ITEM #4  
 TO 72 IN-LBS

SECTION A-A  
 SCALE 0.750

SECTION B-B  
 SCALE 0.600

SECTION C-C

REFERENCE DRAWINGS  
 0L3241 SCHEMATIC/WIRING DIAGRAMS  
 0F6778 CARTON 30.5 X 14.2 X 7.8  
 0H7275 TEST PROC HSB XFRSW  
 0K0115 KIT ENCL 100/200A NON SE AL

# GENERAL ASSEMBLY DRAWING

DRAWING CREATED FROM PRO/ENGINEER  
 3D FILE. ECO MODIFICATION TO BE  
 APPLIED TO SOLID MODEL ONLY.

8

7

6

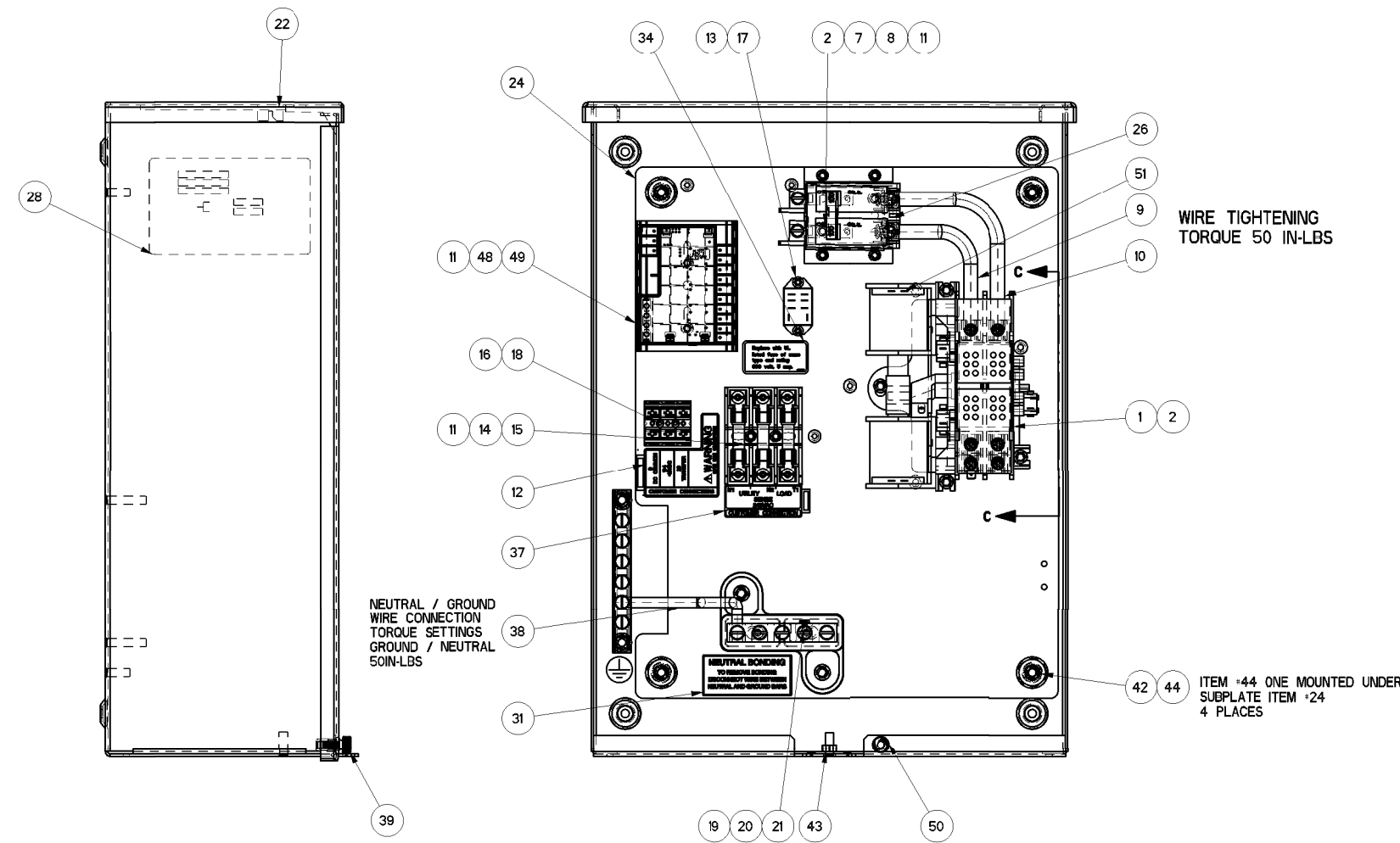
5

4

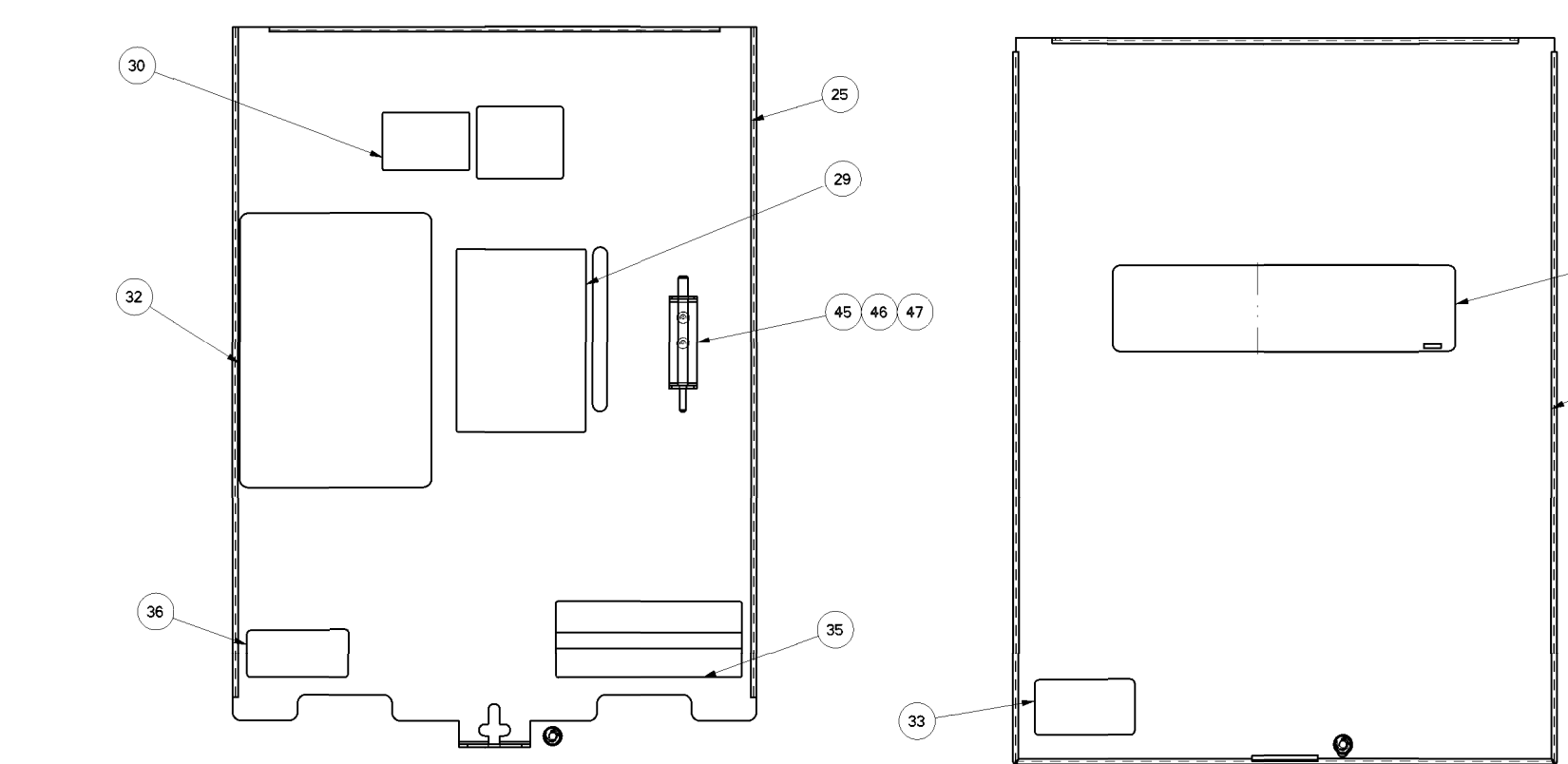
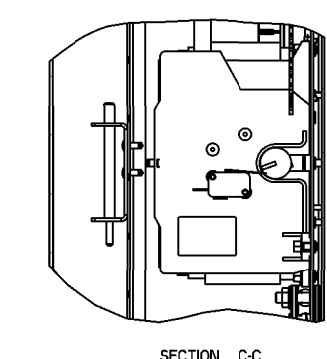
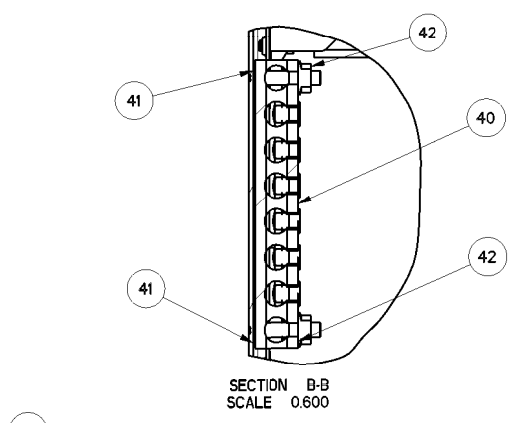
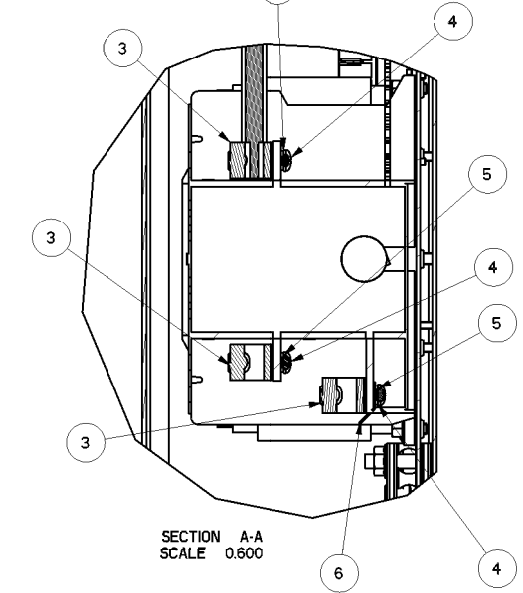
3

SH	I/I	REV	D	WINDMILL VERSION	D.I

ITEM #	PART #	QTY	DESCRIPTION
1	0L2910	1	XFRSW HSB 100A 2P 250V
2	074908	6	SCREW HHTT M5-0.8 X 10 BP
3	077033	6	LUG SLDLSS 1/0-#14X9/16 AL/CU
4	0G7624	6	SCREW PPHM #10-32 X 5/16
5	022152	6	WASHER LOCK #10
6	G074138	1	LUG DIS QK NI-S 10X45 DEG BR/T
7	0E7886H	1	CB 0100A 2P 240V S BQ2 LB
8	0E7890	1	BRKT CB MTG BACK
9	0G5780A	1	ASSY WIRE 2AWG 5.375" #N1A BLK
10	0G5780B	1	ASSY WIRE 2AWG 6.875" #N2A BLK
11	0A1495	8	SCREW HHTT M4-0.7 X 10 BP
12	0H7917	1	DECAL CUSTOMER CONN RTS
**	13	0K0103	RELAY PNL 12VDC DPDT 10A@240VA
**	14	0D2572	FUSEBLOCK 30A 600V 3POS W/SQ
**	15	073590A	FUSE 5A X BUSS
**	16	0D7393T	TERM BLOCK 3P UL 12-20AWG
**	17	0F2659	SCREW HHTT M3-0.5 X 6 BP
**	18	0L3068	SCREW HHTT M3-0.5 X 25 ZP
**	19	0K0108	ASSY-NEUT BLK 100A
**	20	090388	SCREW HHTT M6-1.0 X 12 ZINC
**	21	026902	SCREW HHTT #8-32 X 1/4 C2
**	22	0K01120ALOR	ENCLOSURE 100/200A XFER SW_RAW
**	23	0K01130ALOR	COVER 100A XFER SWITCH_INST_RAW
**	24	0K0114	SUBPLATE,100/200A XFER SW
**	25	0K11120ALOR	COVER INSIDE 100A SE GRAY_RAW
**	26	0K1119	RISER 100A SERV ENT
**	27	0K1098	DECAL RTS TRANSFER SW GENERAC
**	28	0K1736A	DECAL XFER SW SE 100A 120/240
**	29	0E3484	DECAL WARN MANUAL OPER HANDLE
**	30	0F9969	DECAL UTILITY DISCONNECT
**	31	0K1018	DECAL, NEUTRAL CONNECTION
**	32	0K1738	DECAL TEST SEQUENCE 100-200A SE
**	33	0H7274	DECAL NEC COMPLIANCE
**	34	0D3587	DECAL, FUSE REPLACEMENT
**	35	0G3259	DECAL TERMINAL SHOCK HZD B1
**	36	0G3274	DECAL LIVE CIRCUIT ENG/FRN/SPN
**	37	0H6389	DECAL UTILITY LOAD SENSE 240V
**	38	0K1167	WIRE NEUTRAL TO GROUND CONNECTION
**	39	0L6700	SCREW THUMB 1/4-20 X 1/2 KNURL
**	40	0J8202	LUG SLDLSS 2/0-#14X#10-32X.125
**	41	026850	WASHER LOCK EXT 1/4 STL
**	42	0G8411	NUT HEX FL WHIZ 1/4-20
**	43	085889	NUT HEX 1/4-20 SS
**	44	022473	WASHER FLAT 1/4-M6 ZINC
**	45	0E6193	BRACKET, ARM EXTENDER
**	46	0D6162	RIVET POP .156 X .362 AL
**	47	0E6155	PIN ARM EXTENDER
**	48	0L3123	ASSY SMART AC MOD
**	49	0H7270	CHANNEL SNAPTRACK 76.2 X 101.2
**	50	0L6699	NUT TRIC 1/4-20 ALUM
**	51	0L3246	WIRE HARNESS 100/200A RTS



TORQUE ITEM #4 TO 24-30 IN-LBS



CENTER DECAL APPROXIMATELY 6-1/4" DOWN FROM TOP OF COVER USING ASSEMBLY TEMPLATE

\*\*SERIAL NUMBER AND FRONT DECAL PER MODEL  
\*\*SUPPLIED WITH HARNESS ITEM #51

**REFERENCE DRAWINGS**  
 0L3242 SCHEMATIC/WIRING DIAGRAMS  
 0F6778 CARTON 30.5 X 14.2 X 7.8  
 0H7275 TEST PROC HSB XFRSW  
 0K0116 KIT ENCL 100 SE AL

PART NUMBER	DESCRIPTION	ITEM # 28	ITEM # 27
0L3215	ASSEMBLY 100A 120/240 SE	0K1736A	PER MODEL
0L3215A	EXPLODED VIEW DRAWING	N/A	N/A
0L3215B	ASSEMBLY 200A 120/240 SE	0K1736A	0K1098
0L3215C	ASSEMBLY 200A 120/240 SE	0J3804A	0K1274

GENERAL TOLERANCES UNLESS NOTED		THIRD ANGLE PROJECTION	
ALL XX	± 0.4 MM		
XXX	± 0.4 MM		
XXXX	± 0.6 MM		
ALL ANG	± 1°	INTERPRET DIM AND TOL PER ASME Y14.5M-1994	

**GENERAC**

TITLE  
**ASSEMBLY DWG 2-POLE 100A 120/240V SE**

ISSUE DATE:	SIZE	CAGE NO	DWG NO	REV
	D	N/A	<b>0L3215</b>	D
SCALE 0.400				WT-KG 22428223.726HEET 1 of 1

**GENERAL ASSEMBLY DRAWING**

DRAWING CREATED FROM PRO/ENGINEER 3D FILE. ECO MODIFICATION TO BE APPLIED TO SOLID MODEL ONLY.

GENERAC POWER SYSTEMS OWNS THE COPYRIGHT OF THIS DRAWING WHICH IS SUPPLIED IN CONFIDENCE AND MUST NOT BE USED FOR ANY PURPOSE OTHER THAN FOR WHICH IT IS SUPPLIED WITHOUT THE EXPRESS WRITTEN CONSENT OF GENERAC POWER SYSTEMS.  
 © GENERAC POWER SYSTEMS 2010  
 ELECTRONICALLY APPROVED  
 185/DC WINDMILL

8

7

6

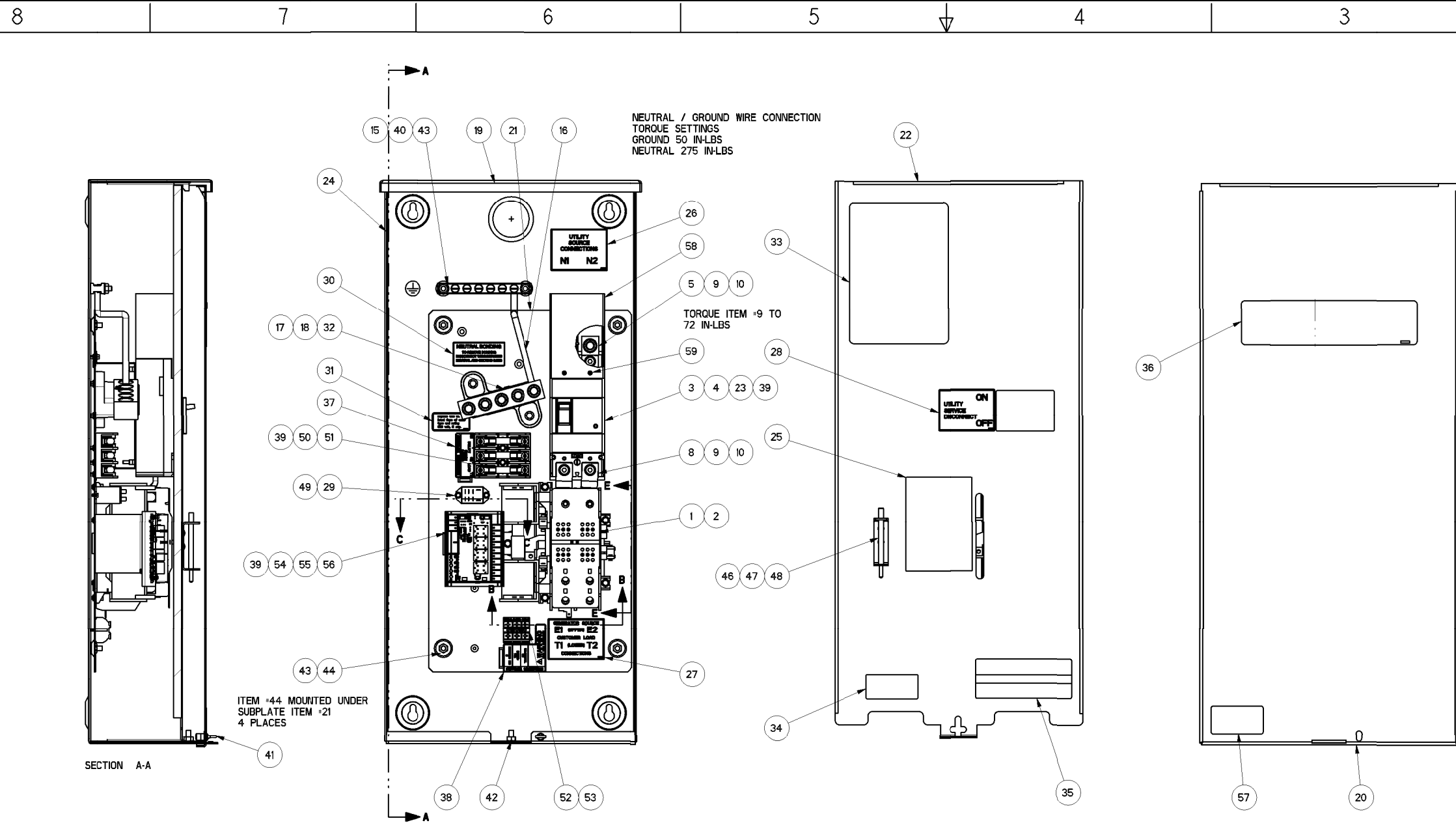
5

4

3

2

1



ITEM #	PART #	QTY	DESCRIPTION
1	0L2911	1	XFRSW HSB 200A 2P 250V
2	074908	5	SCREW HHTT M5-0.8 X 10 BP
3	0K0971	1	CB 150A 2POLE 240V 225AF
4	0K0973	2	SCREW RHM #8-32 X 2-1/2
5	0H6306	2	LUG SLDLSS 350 MCM-6 AL/CU
6	0G4413	2	SPACER, 200 AMP TRANSFER SWITCH
7	024334	2	BOLT CARR 1/4-20 X 1
8	0K0130	2	BUSBAR 200A TRANSFER SW N1,N2
9	049897	4	SCREW SHC M8-1.25 X 20 G6
10	022129	4	WASHER LOCK M8-5/16
11	0E3375	4	LUG SLDLSS 250-#6 AL/CU
12	0F1252	4	SCREW BHSC 1/4-20 X 3/8
13	0E6033	4	90 DEGREE DN SPADE CONNECTOR
14	0E6034	1	STRAIGHT SPADE CONNECTOR
15	0J8202	1	LUG SLDLSS 2/0-#14X#10-32X.125
16	0K1081	1	WIRE NEUTRAL/GND CONNECTION
17	0K0108A	1	ASSY-NEUT BLK 200A W/TAP
18	090388	2	SCREW HHTT M6-1.0 X 12 ZINC
19	0K01170ALOR	1	ENCLOSURE 200A SE XFRSW RAW
20	0K01180ALOR	1	COVER, 200A SE XFRSW RAW
21	0K0119	1	SUBPLATE, 200A SE XFER SW
22	0K01310ALOR	1	COVER INSIDE 200A SE XFER SW RAW
23	0K0132	1	CB RISER BRACKET 200A GENERAC
24	0K1736B	1	DECAL, XFER SW SE 150A 120/240
25	0L3484	1	DECAL WARN MANUAL OPER HANDLE
26	0G9651A	1	DECALS, SERVICE ENTRANCE
27	0G9651B	1	DECALS, SERVICE ENTRANCE
28	0G9651C	1	DECALS, SERVICE ENTRANCE
29	0F2659	2	SCREW HHTT M3-0.5 X 6 BP
30	0K1018	1	DECAL, NEUTRAL CONNECTION
31	0D3587	1	DECAL, FUSE REPLACEMENT
32	026902	1	SCREW HHTT #8-32 X 1/4 CZ
33	0K1738	1	DECAL TEST SEQUENCE 100-200A SE
34	0G3274	1	DECAL LIVE CIRCUIT ENG/FRN/SPN
35	0G3259	1	DECAL TERMINAL SHOCK HZD BI
36	0K1098	1	DECAL RTS TRANSFER SW GENERAC
37	0H6389	1	DECAL UTILITY LOAD SENSE 240V
38	0H7917	1	DECAL CUSTOMER CONN RTS
39	0A1495	8	SCREW HHTT M4-0.7 X 10 BP
40	026850	2	WASHER LOCK EXT 1/4 STL
41	0E7213	1	SCREW THUMB 1/4-20 X1/2 W/SHLD
42	085889	1	NUT HEX 1/4-20 SS
43	0G8411	8	NUT HEX FL WHIZ 1/4-20
44	022473	4	WASHER FLAT 1/4-M6 ZINC
45	022097	4	WASHER LOCK M6-1/4
46	0E6193	1	BRACKET, ARM EXTENDER
47	0D6162	2	RIVET POP .156 X .362 AL
48	0E6155	1	PIN ARM EXTENDER
49	0K0103	1	RELAY PNL 12VDC DPDT 10A@240VA
50	0D2572	1	FUSEBLOCK 30A 600V 3POS W/SQ
51	073590A	3	FUSE 5A X BUSS
52	0D7393T	1	TERM BLOCK 3P UL 12-20AWG
53	0L3068	2	SCREW HHTT M3-0.5 X 25 ZP
54	0H7190	1	BRACKET LOAD SHED 200A RTS
55	0L3123	1	ASSY SMART AC MOD
56	0H7270	1	CHANNEL SNAPTRACK 76.2 X 101.2
57	0H7274	1	DECAL NEC COMPLIANCE
58	0K8414	1	CB TERMINAL COVER 2 POLE 240V
59	0K8628	2	SCREW PFH 4-24 X 5/16 TCS
60	064761	4	TIE WRAP UL 5.6 X .10 NATL
61	0L3247	1	HARNESS 200A SE SACM

--SERIAL NUMBER AND FRONT DECAL PER MODEL  
--SUPPLIED WITH HARNESS ITEM #61

PART NUMBER	DESCRIPTION	ITEM # 24	ITEM # 36
0L3216	ASSEMBLY 150A SERVICE ENTR GEN	0K1736B	PER MODEL
0L3216A	EXPLODED VIEW DRAWING	N/A	N/A
0L3216B	ASSEMBLY 150A SERVICE ENTR GEN	0K1736B	0K1098
0L3216C	ASSEMBLY 150A SERVICE ENTR HNYWL	CJ3804B	0K1274

**REFERENCE DRAWINGS**  
0L3242 SCHEMATIC/WIRING DIAGRAMS  
0K1846 CARTON 30.5 X 14.2 X 7  
0H7275 TEST PROC HSB XFRSW  
0K0120 KIT, ENCL 200A SE AL GENERAC

GENERAL TOLERANCES UNLESS NOTED		THIRD ANGLE PROJECTION	
ALL XX	± 0.4 MM		
XXX	± 0.4 MM		
ALL	± 0.5 MM	INTERPRET DIM AND TOL PER ASME Y14.5M-1994	
ELECTRONICALLY APPROVED INSIDE WINDCHILL			

GENERAL				TITLE	
ISSUE DATE:	SIZE	CAGE NO	DWG NO	ASSEMBLY 150A SERVICE ENTRANCE GENERAC CB	
	D	N/A	0L3216\$	REV	B
SCALE 0.300			WT-KG 306457478.68	SHEET 1 of 1	

# GENERAL ASSEMBLY DRAWING

DRAWING CREATED FROM PRO/ENGINEER 3D FILE. ECO MODIFICATION TO BE APPLIED TO SOLID MODEL ONLY.

D

D

C

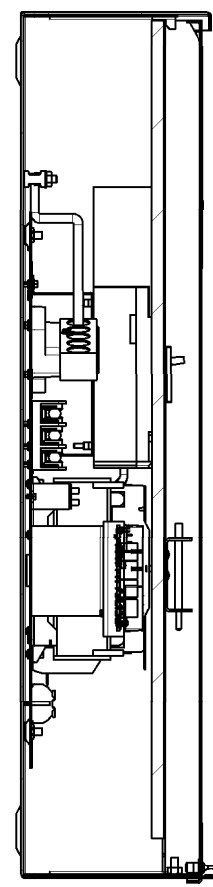
C

B

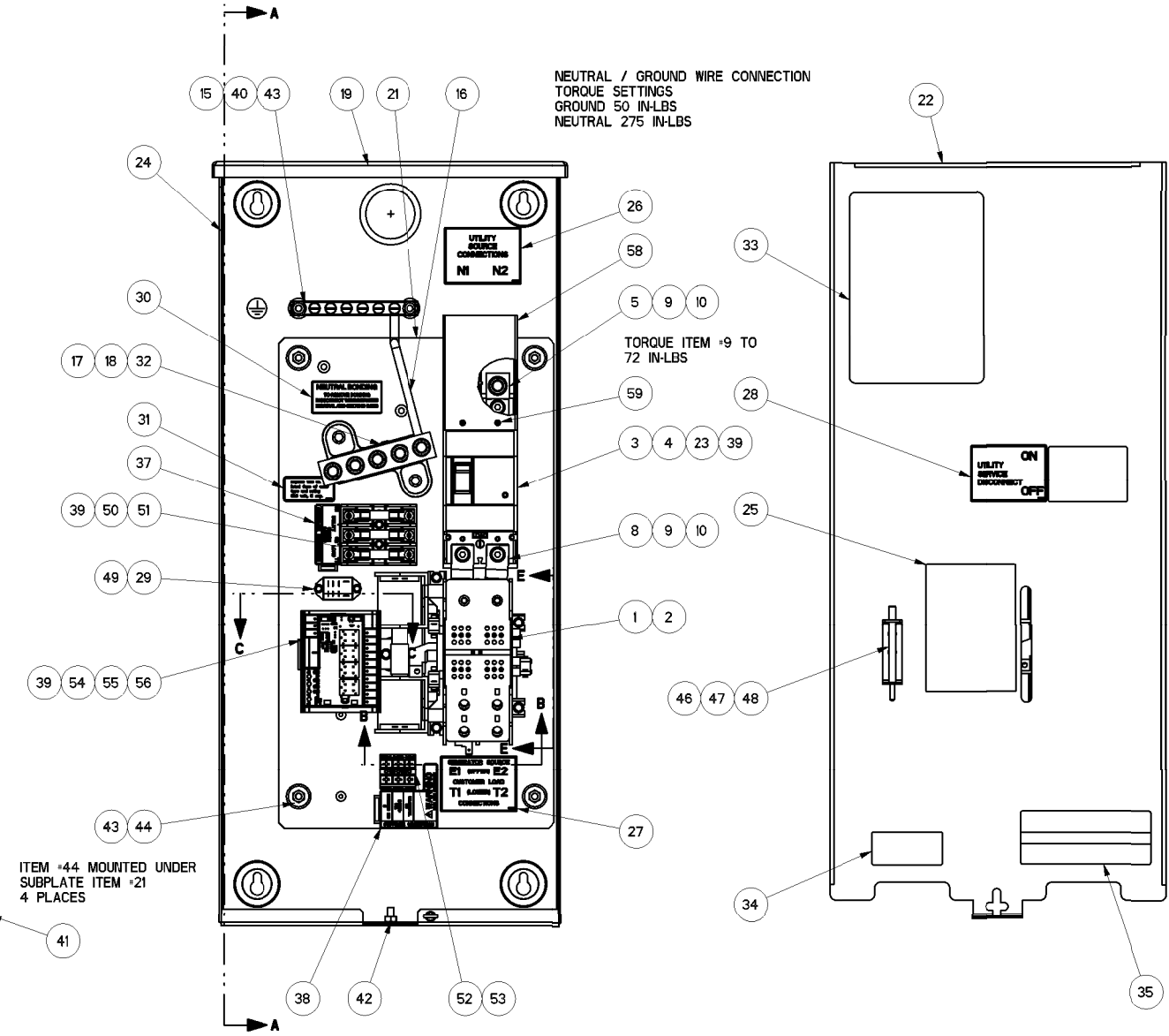
B

A

A



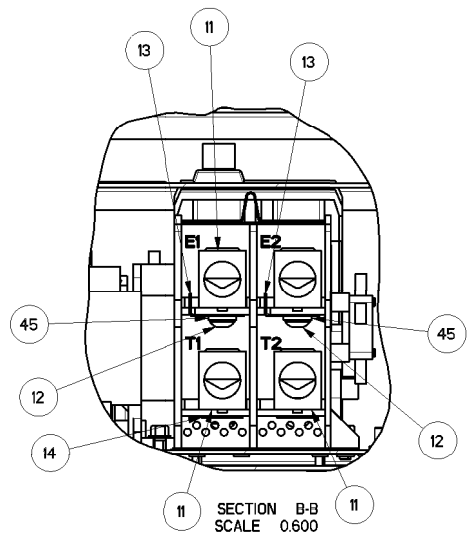
SECTION A-A



NEUTRAL / GROUND WIRE CONNECTION  
TORQUE SETTINGS  
GROUND 50 IN-LBS  
NEUTRAL 275 IN-LBS

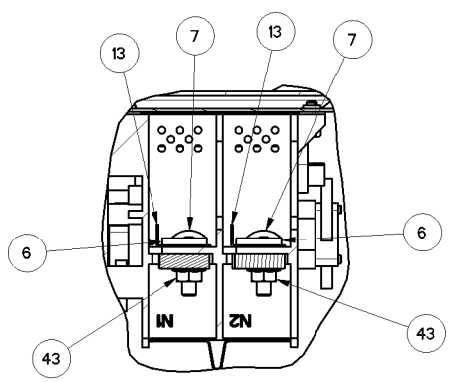
TORQUE ITEM #9 TO  
72 IN-LBS

ITEM #44 MOUNTED UNDER  
SUBPLATE ITEM #21  
4 PLACES



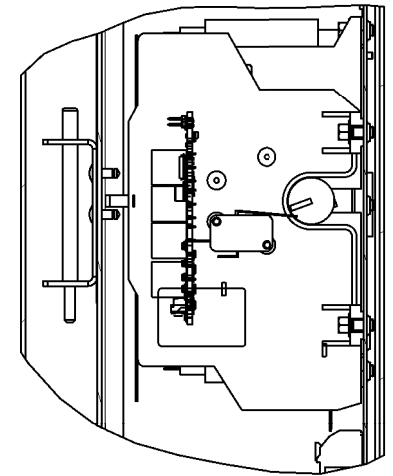
SECTION B-B  
SCALE 0.600

TORQUE ITEM 12  
TO 72 IN-LBS



SECTION C-C  
SCALE 0.600

TORQUE ITEM 7 AND 43  
TO 72 IN-LBS



SECTION E-E  
SCALE 0.600

ITEM #	PART #	QTY	DESCRIPTION
1	0L2911	1	XFRSW HSB 200A 2P 250V
2	074908	5	SCREW HHTT M5-0.8 X 10 BP
3	0K0133	1	CB 200A 2POLE 240V 225AF
4	0K0973	2	SCREW RHM #8-32 X 2-1/2
5	0H6306	2	LUG SLDLSS 350 MCM-6 AL/CU
6	0G4413	2	SPACER, 200 AMP TRANSFER SWITCH
7	024334	2	BOLT CARR 1/4-20 X 1
8	0K0130	2	BUSBAR 200A TRANSFER SW N1,N2
9	049897	4	SCREW SHC M8-1.25 X 20 G6
10	022129	4	WASHER LOCK M8-5/16
11	0E3375	4	LUG SLDLSS 250-#6 AL/CU
12	0F1252	4	SCREW BHSC 1/4-20 X 3/8
13	0E6033	4	90 DEGREE DN SPADE CONNECTOR
14	0E6034	1	STRAIGHT SPADE CONNECTOR
15	0J8202	1	LUG SLDLSS 2/0-#14X#10-32X.125
16	0K1081	1	WIRE NEUTRAL/GND CONNECTION
17	0K0108A	1	ASSY-NEUT BLK 200A W/TAP
18	090388	2	SCREW HHTT M6-1.0 X 12 ZINC
19	0K01170ALOR	1	ENCLOSURE 200A SE XFRSW RAW
20	0K01180ALOR	1	COVER, 200A SE XFRSW RAW
21	0K0119	1	SUBPLATE, 200A SE XFER SW
22	0K01310ALOR	1	COVER INSIDE 200A SE XFER SW RAW
23	0K0132	1	CB RISER BRACKET 200A GENERAC
24	0K1736C	1	DECAL, XFER SW SE 200A 120/240
25	0L3484	1	DECAL WARN MANUAL OPER HANDLE
26	0G9651A	1	DECALS, SERVICE ENTRANCE
27	0G9651B	1	DECALS, SERVICE ENTRANCE
28	0G9651C	1	DECALS, SERVICE ENTRANCE
29	0F2659	2	SCREW HHTT M3-0.5 X 6 BP
30	0K1018	1	DECAL, NEUTRAL CONNECTION
31	0D3587	1	DECAL, FUSE REPLACEMENT
32	026902	1	SCREW HHTT #8-32 X 1/4 CZ
33	0K1738	1	DECAL TEST SEQUENCE 100-200A SE
34	0G3274	1	DECAL LIVE CIRCUIT ENG/FRN/SPN
35	0G3259	1	DECAL TERMINAL SHOCK HZD BI
36	0K1098	1	DECAL RTS TRANSFER SW GENERAC
37	0H6389	1	DECAL UTILITY LOAD SENSE 240V
38	0H7917	1	DECAL CUSTOMER CONN RTS
39	0A1495	8	SCREW HHTT M4-0.7 X 10 BP
40	026850	2	WASHER LOCK EXT 1/4 STL
41	0E7213	1	SCREW THUMB 1/4-20 X1/2 W/SHLD
42	085889	1	NUT HEX 1/4-20 SS
43	0G8411	8	NUT HEX FL WHIZ 1/4-20
44	022473	4	WASHER FLAT 1/4-M6 ZINC
45	022097	4	WASHER LOCK M6-1/4
46	0E6193	1	BRACKET, ARM EXTENDER
47	0D6162	2	RIVET POP .156 X .362 AL
48	0E6155	1	PIN ARM EXTENDER
49	0K0103	1	RELAY PNL 12VDC DPDT 10A@240VA
50	0D2572	1	FUSEBLOCK 30A 600V 3POS W/SQ
51	073590A	3	FUSE 5A X BUSS
52	0D7393T	1	TERM BLOCK 3P UL 12-20AWG
53	0L3068	2	SCREW HHTT M3-0.5 X 25 ZP
54	0H7190	1	BRACKET LOAD SHED 200A RTS
55	0L3123	1	ASSY SMART AC MOD
56	0H7270	1	CHANNEL SNAPTRACK 76.2 X 101.2
57	0H7274	1	DECAL NEC COMPLIANCE
58	0K8414	1	CB TERMINAL COVER 2 POLE 240V
59	0K8628	2	SCREW PFH 4-24 X 5/16 TCS
60	064761	4	TIE WRAP UL 5.6 X .10 NATL
61	0L3247	1	HARNESS 200A SE SACM

--SERIAL NUMBER AND FRONT DECAL PER MODEL  
--SUPPLIED WITH HARNESS ITEM #61

PART NUMBER	DESCRIPTION	ITEM # 24	ITEM # 36
0L3217	ASSEMBLY 200A SERVICE ENTR GEN	0K1736C	PER MODEL
0L3217A	EXPLODED VIEW DRAWING	N/A	N/A
0L3217B	ASSEMBLY 200A SERVICE ENTR GEN	0K1736C	0K1098
0L3217C	ASSEMBLY 200A SERVICE ENTR HNYWL	0J3804C	0K1274
0L3217D	ASSEMBLY 200A SERVICE ENTR HNYWL	0J3804C	0K1274

**REFERENCE DRAWINGS**  
0L3242 SCHEMATIC/WIRING DIAGRAMS  
0K1846 CARTON 305 X 142 X 7  
0H7275 TEST PROC HSB XFRSW  
0K0120 KIT, ENCL 200A SE AL GENERAC

GENERAL TOLERANCES UNLESS NOTED		THIRD ANGLE PROJECTION
ALL XX	± 0.4 MM	
XXX	± 0.4 MM	
ALL XXX	± 0.5 MM	
ALL XXX	± 1	
INTERPRET DIM AND TOL PER ASME Y14.5M-1994		

**GENERAC**

TITLE  
**ASSEMBLY 200A SERVICE ENTRANCE GENERAC CB**

ISSUE DATE:	SIZE	CAGE NO	DWG NO	REV
	D	N/A	<b>0L3217\$</b>	C
	SCALE 0.300		WT-KG 306457478.68 SHEET 1 of 1	

**GENERAL ASSEMBLY DRAWING**

DRAWING CREATED FROM PRO/ENGINEER 3D FILE. ECO MODIFICATION TO BE APPLIED TO SOLID MODEL ONLY.

ITEM #	PART #	QTY	DESCRIPTION
1	0L2911	1	XFRSW HSB 200A 2P 250V
2	074908	5	SCREW HHTT M5-0.8 X 10 BP
3	0E3628	1	CB 0200A 2P 240V S QN2 LL
4	0E3664	1	BASE, ON CIRCUIT BREAKER
5	036918	2	SCREW PPHM #8-32 X 1/2
6	0G9299	2	WIRE 3/0 NI,N2
7	0E3375	6	LUG SLDLSS 250-#6 AL/CU
8	0F1252	6	SCREW BHSC 1/4-20 X 3/8
9	G022097	6	WASHER LOCK M6-1/4
10	0E6033	4	90 DEGREE DN SPADE CONNECTOR
11	0E6034	1	STRAIGHT SPADE CONNECTOR
12	0J8202	1	LUG SLDLSS 2/0-#14X#10-32X.125
13	026850	2	WASHER LOCK EXT 1/4 STL
14	0G8411	6	NUT HEX FL WHIZ 1/4-20
15	0K1914	1	WIRE NEUTRAL CONNECTION SIE
16	0K0108A	1	ASSY-NEUT BLK 200A W/TAP
17	090388	2	SCREW HHTT M6-1.0 X 12 ZINC
18	0K01170ALDR	1	ENCLOSURE 200A SE XFRSW RAW
19	0K01180ALDR	1	COVER, 200A SE XFRSW RAW
20	0K0119	1	SUBPLATE, 200A SE XFR SW
21	0G93000ALDR	1	CB RISER BRACKET 200A GENERAC RAW
22	0G97730ALDR	1	COVER INSIDE 200A SE SIE RAW
23	022473	4	WASHER FLAT 1/4-M6 ZINC
24	085889	1	NUT HEX 1/4-20 SS
25	0D2572	1	FUSLBLOCK 30A 600V 3POS W/SQ
26	073590A	3	FUSE 5A X BUSS
27	0A1495	7	SCREW HHTT M4-0.7 X 10 BP
28	0K0103	1	RELAY PNL 12VDC DPDT 10A@240VA
29	0F2659	2	SCREW HHTT M3-0.5 X 6 BP
30	0D7393T	1	TERM BLOCK 3P UL 12-20AWG
31	0L3068	2	SCREW THTT M3-0.5 X 25 ZP
32	0D3587	1	DECAL, FUSE REPLACEMENT
33	0E3484	1	DECAL WARN MANUAL OPER HANDLE
34	0G3259	1	DECAL TERMINAL SHOCK HZD BI
35	0G3274	1	DECAL LIVE CIRCUIT ENG/FRN/SPN
36	026902	1	SCREW HHTT #8-32 X 1/4 CZ
37	0H1765A	1	DECAL UTILITY SOURCE CONNECTION
38	0H1765B	1	DECAL GENERATOR/CUSTOMER CONN
39	0H1765C	1	DECAL UTILITY DISCONNECT
40	0H6389	1	DECAL UTILITY LOAD SENSE 240V
41	0H7917	1	DECAL CUSTOMER CONN RTS
42	0H7190	1	BRACKET LOAD SHED 200A RTS
43	0K1018	1	DECAL, NEUTRAL CONNECTION
44	0K1272	1	DECAL TRANSFER SW SIEMENS
45	0K1736C	1	DECAL, XFER SW SE 200A 120/240
46	0K1738	1	DECAL TEST SEQUENCE 100-200A SE
47	0E6155	1	PIN ARM EXTENDER
48	0E6193	1	BRACKET, ARM EXTENDER
49	0D6162	2	RIVET POP .156 X .362 AL
50	0H7270	1	CHANNEL SNAPTRACK 76.2 X 101.2
51	0H7274	1	DECAL NEC COMPLIANCE
52	0L3123	1	ASSY SMART AC MOD
53	0L6699	1	NUT TRIC 1/4-20 ALUM
54	064761	4	TIE WRAP UL 5.6 X .10 NATL
55	0L3247	1	HARNES 200A SE SACM
56	0L6700	1	SCREW THUMB 1/4-20 X 1/2 KNURL

-SUPPLIED WITH HARNESS ITEM #55

PART NUMBER	DESCRIPTION
0L321B	ASSEMBLY 200A SERVICE ENTR SIEM
0L3218A	EXPLODED VIEW DRAWING

**REFERENCE DRAWINGS**  
 0L3242 SCHEMATIC/WIRING DIAGRAMS  
 0K1846 CARTON 30"5 X 14"2 X 7"8  
 0H7275 TEST PROC HSB XFRSW  
 0K0121 KIT, ENCL 200A SE AL SIEMENS

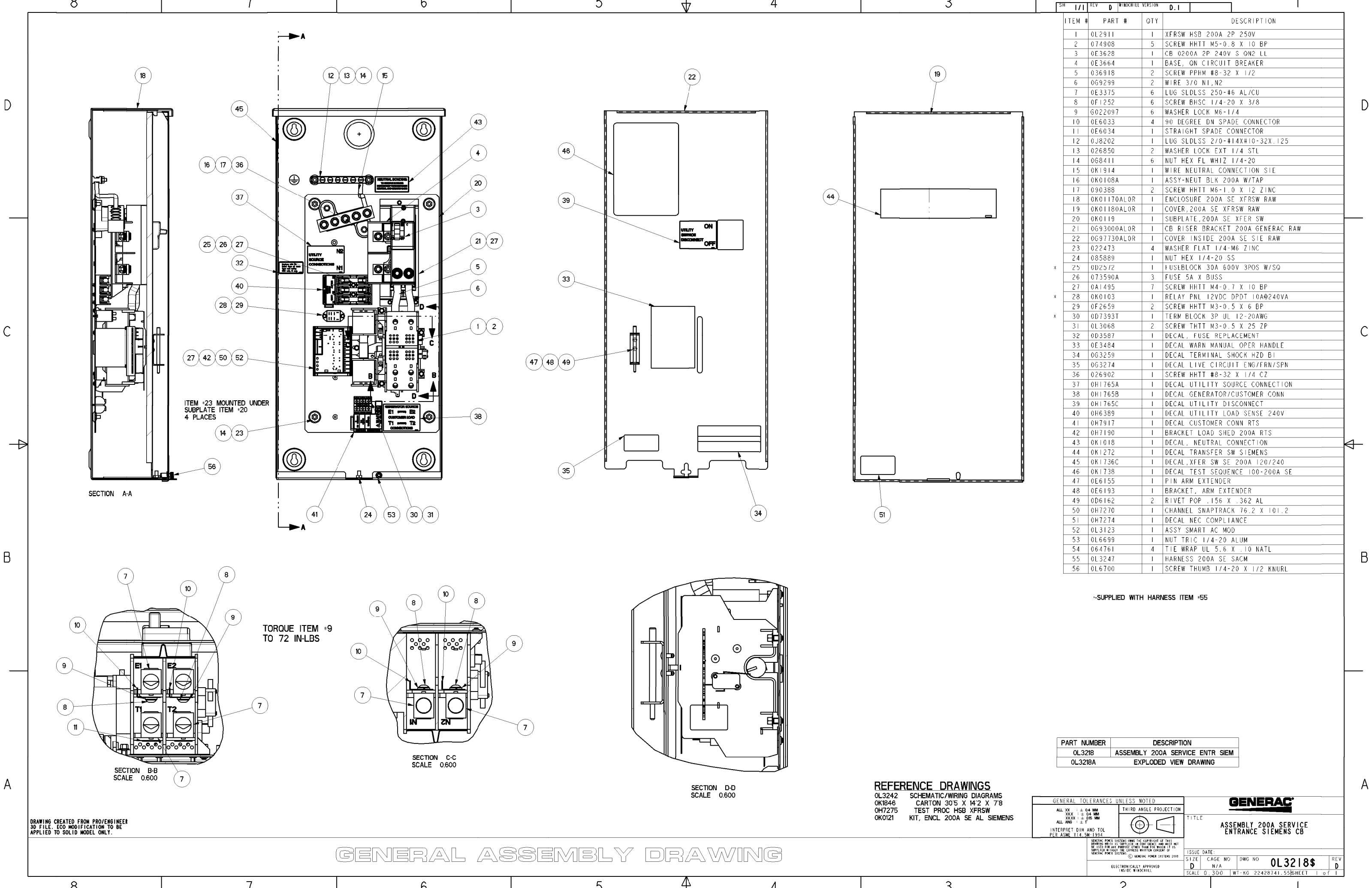
GENERAL TOLERANCES UNLESS NOTED		THIRD ANGLE PROJECTION
ALL XX	= 0.4 MM	
XXX	= 0.4 MM	
XXXX	= 0.8 MM	
ALL ANG	= F	
INTERPRET DIM AND TOL PER ASME Y14.5M-1994		

**GENERAC**

TITLE  
**ASSEMBLY 200A SERVICE ENTRANCE SIEMENS CB**

ISSUE DATE:  
 SIZE D CAGE NO N/A DWG NO **0L3218\$** REV D  
 SCALE 0.300 WT-KG 22428741.55 SHEET 1 of 1

**GENERAL ASSEMBLY DRAWING**



ITEM #23 MOUNTED UNDER SUBPLATE ITEM #20 4 PLACES

TORQUE ITEM #9 TO 72 IN-LBS

DRAWING CREATED FROM PRO/ENGINEER 3D FILE. ECO MODIFICATION TO BE APPLIED TO SOLID MODEL ONLY.

GENERAC POWER SYSTEMS (INDICATE THE COPYRIGHT OF THIS DRAWING WHICH IS SUPPLIED IN FOOTPRINT AND MUST NOT BE USED FOR ANY PURPOSE OTHER THAN FOR WHICH IT IS SUPPLIED WITHOUT THE EXPRESS WRITTEN CONSENT OF GENERAC POWER SYSTEMS)  
 © GENERAC POWER SYSTEMS 2010  
 ELECTRONICALLY APPROVED INSIDE WINDCHILL