

OL3213\$

REFERENCE DRAWINGS

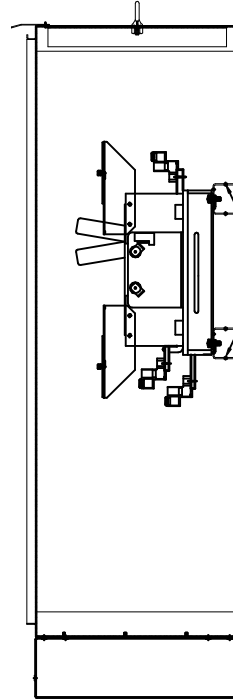
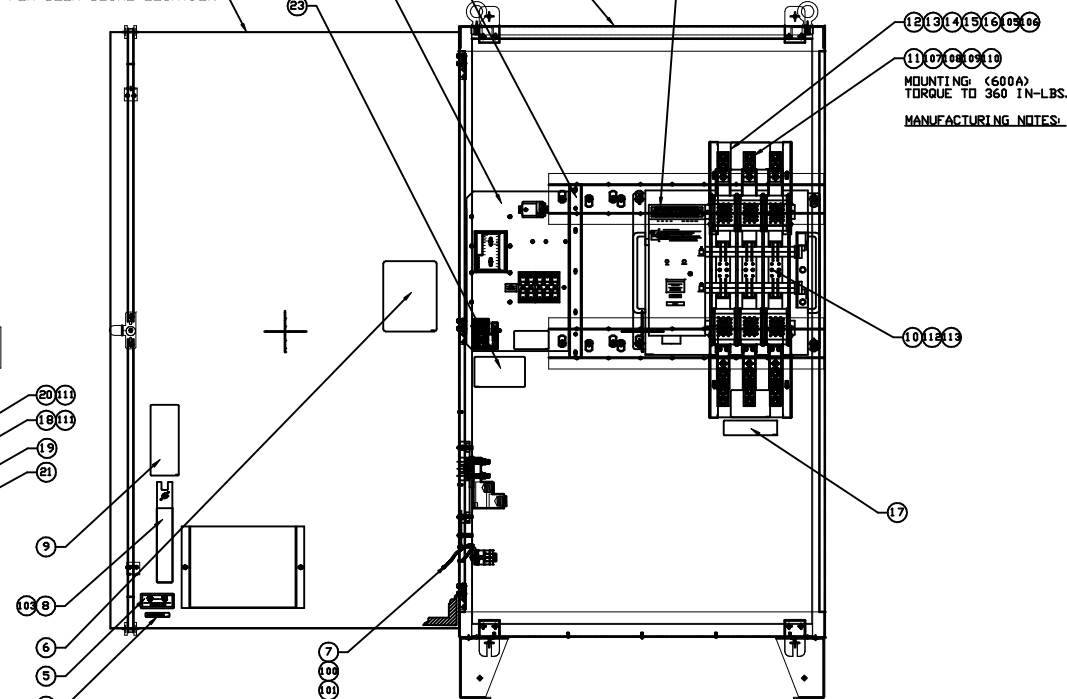
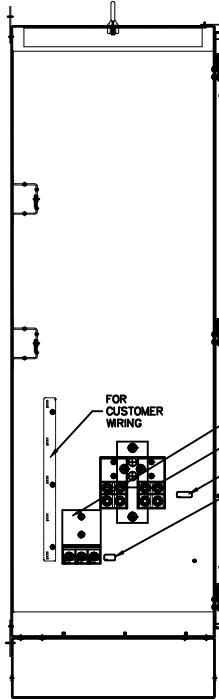
- OL3237 INTECONNECTION DIAGRAM 6-800A
- OL3245 SD / VD 600-800A 1PH
- OL3238 INSTALLATION DRAWING
- OL3204 MANUAL
- \* OL3250 HARNESS- 1Ø

\* NOT SHOWN

SEE PAGE 2 (DETAIL 'C')  
FOR WIRE DUCT CUT LIST  
(13)(32)(31)

SEE PAGE 2 (DETAIL 'B')  
FOR SUBPLATE ASSY.  
(13)(12)(22)

SEE PAGE 2 (DETAIL 'A')  
FOR DOOR DECAL LOCATION  
(20)(11)  
(19)(11)  
(19)  
(21)  
(9)  
(10)(8)  
(6)  
(9)  
(4)



REF. ONLY  
TERMINAL BLOCK  
ON TRANSFER SW.  
JUMPERS FROM HARNESS

MOUNTING (600A)  
TORQUE TO 360 IN.-LBS.

MANUFACTURING NOTES:

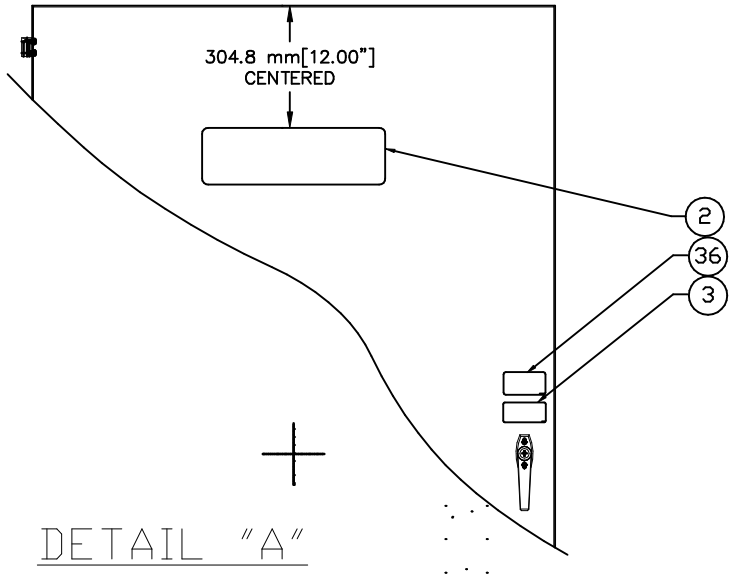
ITEM #	PART #	REV #	DESCRIPTION	ITEM #	PART #	REV #	DESCRIPTION	QTY
1	0J091	1	ENCL. NEMA 3R 3036X220 RTS	1	0J091	1	ENCL. NEMA 3R 3036X220 RTS	--
2	REF. MODEL	1	DECAL. RTS TRANSFER SWITCH 3R	2	REF. MODEL	1	DECAL. RTS TRANSFER SWITCH 3R	--
3	0P9882	1	DECAL.-LIVE CIRCUIT	3	0P9882	1	DECAL.-LIVE CIRCUIT	--
4	0E0994	1	DECAL.-ENCLOSURE NITE NEMA 3R	4	0E0994	1	DECAL.-ENCLOSURE NITE NEMA 3R	--
5	0E1494	1	DECAL.-UL CONTROL PANEL ENCL.	5	0E1494	1	DECAL.-UL CONTROL PANEL ENCL.	--
6	0J0925	1	DECAL. RTS TEST SEQUENCE 600A	6	0J0925	1	DECAL. RTS TEST SEQUENCE 600A	--
7	0P988190	1	ASSY WIRE #12 00<GROUND WIRE>	7	0P988190	1	ASSY WIRE #12 00<GROUND WIRE>	--
8	072154	REF.	MAN. WIRE #1600A UNSUPPLIED 1/200	8	072154	REF.	MAN. WIRE #1600A UNSUPPLIED 1/200	--
9	074525	1	DECAL.-MANUAL OPERATION	9	074525	1	DECAL.-MANUAL OPERATION	--
10	072111	1	0P985V 600A 3P UN600V	10	072111	1	0P985V 600A 3P UN600V	--
11	089453	9	LIAG SUB. 500-11X1 3/32 AL/CU	11	089453	9	LIAG SUB. 500-11X1 3/32 AL/CU	--
12	074399A	2	CVR EYE 161 600A 3P	12	074399A	2	CVR EYE 161 600A 3P	--
13	074351	2	CVR BRKT 600-1600A RH	13	074351	2	CVR BRKT 600-1600A RH	--
14	074351A	2	CVR BRKT 600-1600A LH	14	074351A	2	CVR BRKT 600-1600A LH	--
15	045396	4	KNB COVER 161-3-200A	15	045396	4	KNB COVER 161-3-200A	--
16	0E0808	2	DECAL. TERMINAL SHOCK HAZARD	16	0E0808	2	DECAL. TERMINAL SHOCK HAZARD	--
17	064310	1	DECAL.-TERMINAL NOTE	17	064310	1	DECAL.-TERMINAL NOTE	--
18	080700	1	ASSY NEUTRAL. BLK 600-1000A ATS	18	080700	1	ASSY NEUTRAL. BLK 600-1000A ATS	--
19	044957	1	DECAL. NEUTRAL	19	044957	1	DECAL. NEUTRAL	--
20	065684	1	ASSY GRD. TERM 1600-2600A	20	065684	1	ASSY GRD. TERM 1600-2600A	--
21	067810A	1	DECAL.-GND	21	067810A	1	DECAL.-GND	--
22	0J09080514	1	SUB-PLATE RTS 600-800A	22	0J09080514	1	SUB-PLATE RTS 600-800A	--
23	REF. MODEL	1	PLATE DATA - RTS	23	REF. MODEL	1	PLATE DATA - RTS	--
24	063617	1	RELAY PNL 12VDC DPDT 10A8B40VA	24	063617	1	RELAY PNL 12VDC DPDT 10A8B40VA	--
25	030806	1	FUSE/LOCK 30A 600V EPMS 1/2SD	25	030806	1	FUSE/LOCK 30A 600V EPMS 1/2SD	--
26	030772	1	FUSE/LOCK 30A 600V 300S 1/2SD	26	030772	1	FUSE/LOCK 30A 600V 300S 1/2SD	--
27	075590A	9	FUSE SA X BUSS	27	075590A	9	FUSE SA X BUSS	--
28	0307997	1	TERM BLK 3P UL 12-20AWG	28	0307997	1	TERM BLK 3P UL 12-20AWG	--
29	094787	1	DECAL. CUSTOMER CONN. RTS	29	094787	1	DECAL. CUSTOMER CONN. RTS	--
30	054199	1	DECAL. DANGER HIGH VOLTAGE	30	054199	1	DECAL. DANGER HIGH VOLTAGE	--
31	094472	FT	DUCT WIRING 1X1.5 (33"±E. 750FT)	31	094472	FT	DUCT WIRING 1X1.5 (33"±E. 750FT)	--
32	094478A	FT	CONDR WIRE DUCT 1 IN (33"±E. 750FT)	32	094478A	FT	CONDR WIRE DUCT 1 IN (33"±E. 750FT)	--
33	074445	4	TIE-RAP HEBT FIB TIEE (CEILED)	33	074445	4	TIE-RAP HEBT FIB TIEE (CEILED)	--
34	0L3250	1	WIRE HARNESS 600-800A NSE 1/2ACH	34	0L3250	1	WIRE HARNESS 600-800A NSE 1/2ACH	--
35	0E44190	1	DECAL. FUSE RATING SA 600V	35	0E44190	1	DECAL. FUSE RATING SA 600V	--
36	047774	1	DECAL. NEC COMPLIANCE	36	047774	1	DECAL. NEC COMPLIANCE	--
37	047270	1	CHANNEL SWPTRACK 76.2 X 101.2	37	047270	1	CHANNEL SWPTRACK 76.2 X 101.2	--
38	0L3183	1	ASSEMBLY SMART AC MODULE	38	0L3183	1	ASSEMBLY SMART AC MODULE	--

\* DESIGNATES ITEMS STRUCTURED IN WIRE HARNESS (NOT SHOWN)

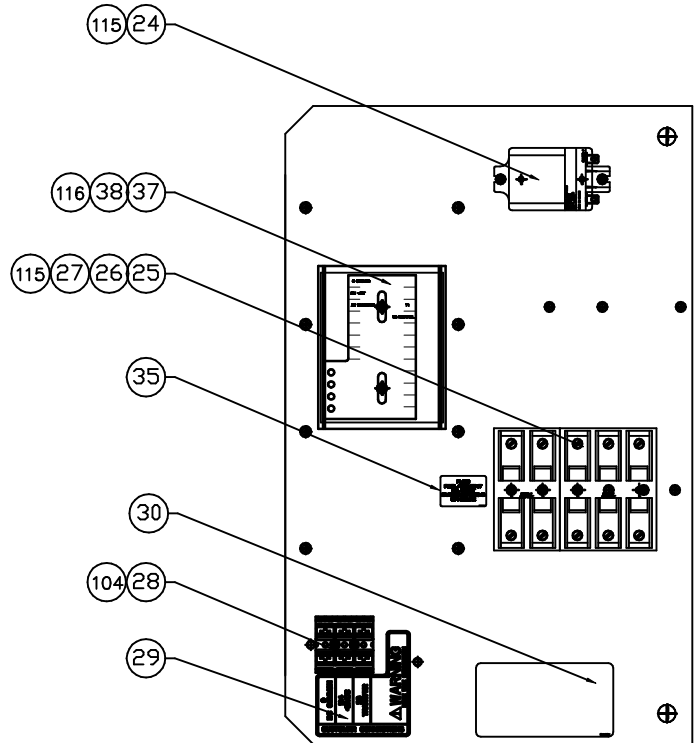
GENERIC PART NUMBER	DESCRIPTION	ITEM #	ITEM #
0L3213	ASSEMBLY 600A NSE	0K1098	0K1799N
0L3213A	EXPLODED VIEW DRAWING	N/A	N/A
0L3213B	ASSEMBLY 600A NSE	0K1274	0K1799X

SHEET 1 OF 2

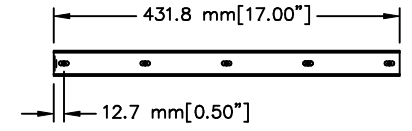
100% OF ALL DIMENSIONS UNLESS OTHERWISE SPECIFIED.		DO NOT SCALE DIMENSIONS.		SEE NOTES		AV 600A RTS NEMA 3R W/SMART AC MOD.		GENERAL & SPECIAL BY: [Signature] W: [Signature]	
DATE: 08/30/18		TIME: 1:00 PM		DRAWN BY: [Signature]		CHECKED BY: [Signature]		0L3213\$.DWG	
1 - 5		2015 SACH		0L3213\$		A		2015 SACH	



DETAIL "A"  
DOOR-FRONT  
DECAL LOCATION  
SCALE 1.5X



DETAIL "B"  
SUB-PLATE  
SCALE 4.0X



DETAIL "C"  
WIRE DUCT  
SEE ENGRG. FOR CUT LIST  
SCALE 2.0X

This is the standard drawing of the enclosure.	ALL DIMENSIONS ARE IN MILLIMETERS UNLESS OTHERWISE SPECIFIED.	DO NOT SCALE DRAWINGS.	PROJECT TITLE <b>AV 600A RTS                  NEMA 3R W/SMART AC MOD.</b>	DRAWING NO. OL3213\$.DWG
			SEE NOTES	SHEET NO. 1 - 5
SEE SHEET ONE (1) FOR ECO	DATE 03/30/18	DRAWN BY N/A	CHECKED BY N/A	SCALE 1 = 5
			COMPANY GENERAC POWER SYSTEMS Waukesha, WI, USA	YEAR 2015 SACN