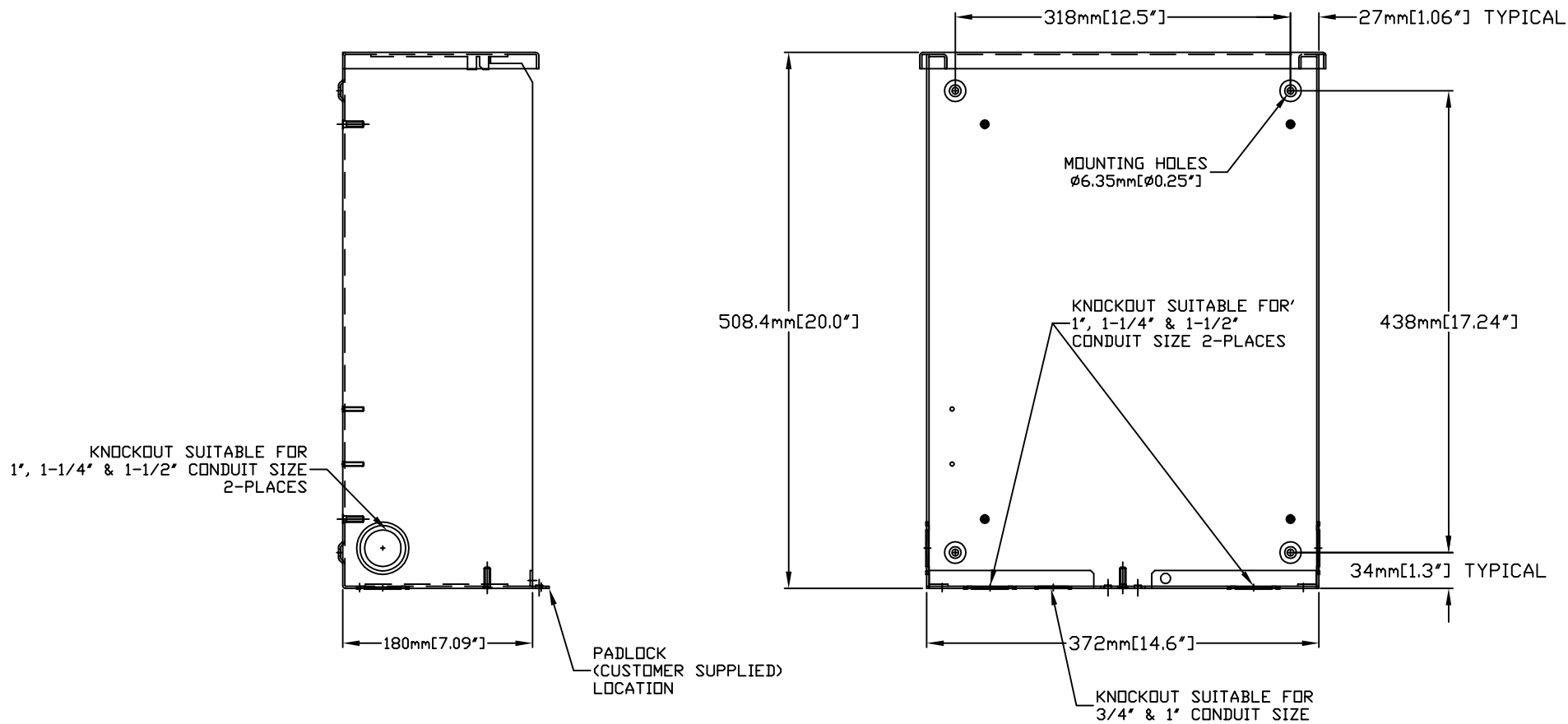
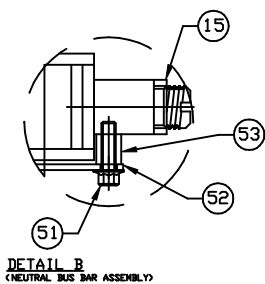
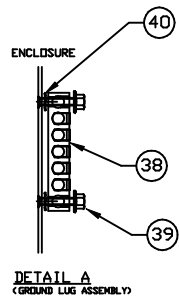
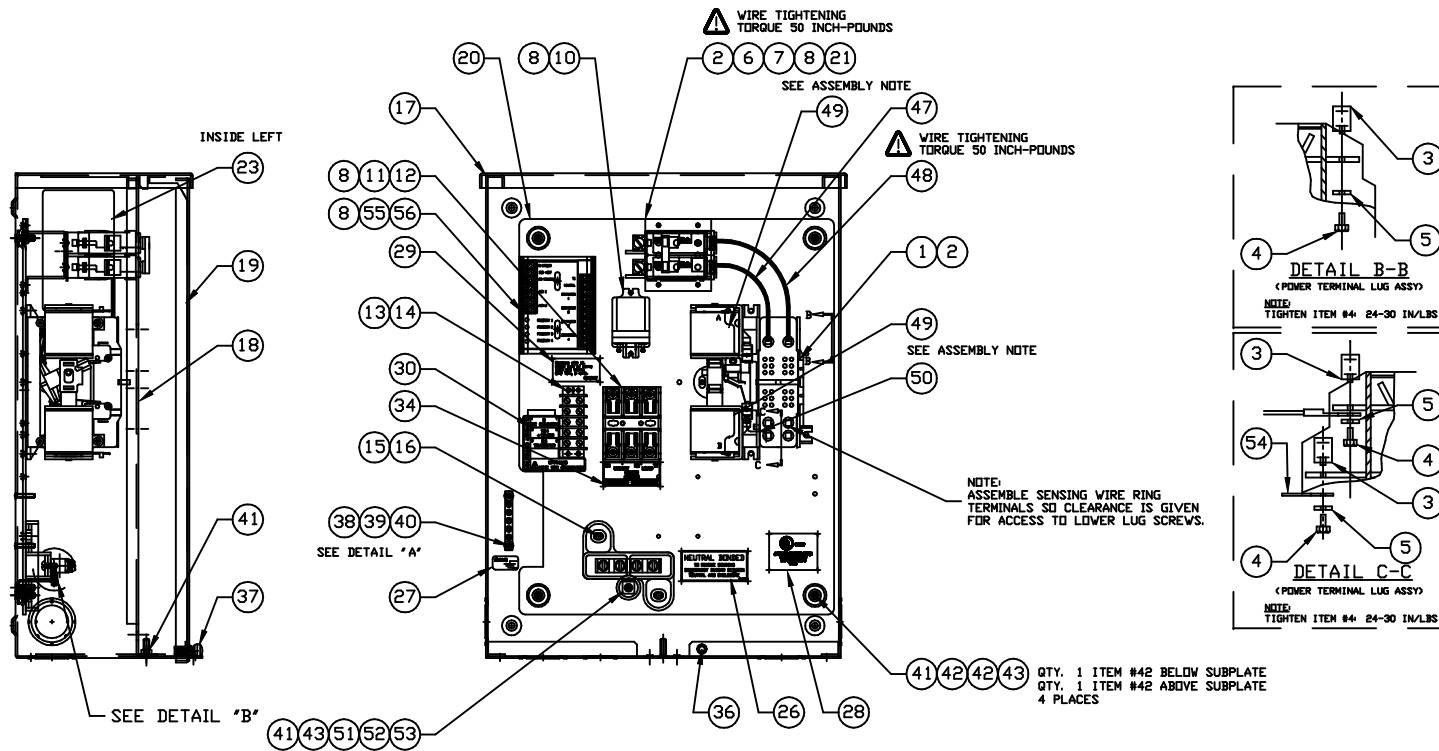


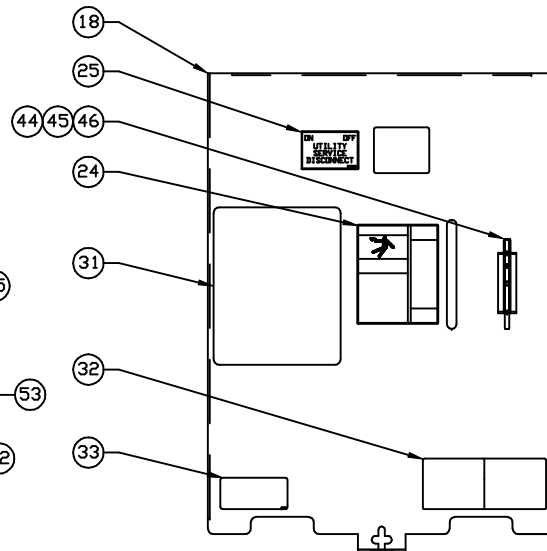
GROUP C



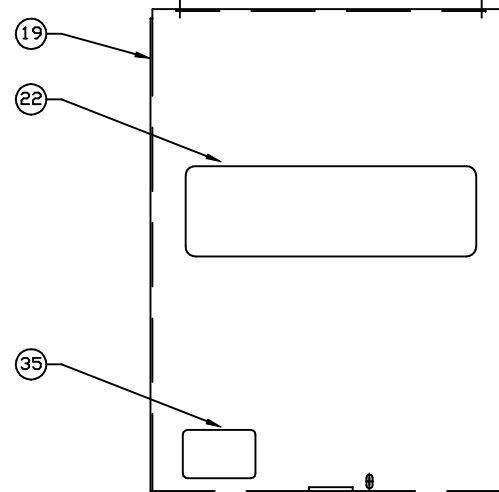
GROUP C



ASSEMBLY NOTE:
PUSH ITEM #49 BETWEEN
COIL & COIL FRAME.



CENTER DECAL APPROXIMATELY 6-1/4" DOWN
FROM TOP OF COVER USING ASSEMBLY TEMPLATE



EXPLODED VIEW: 100A 3R SERVICE ENTRANCE

DRAWING #: 0H7264A

GROUP C

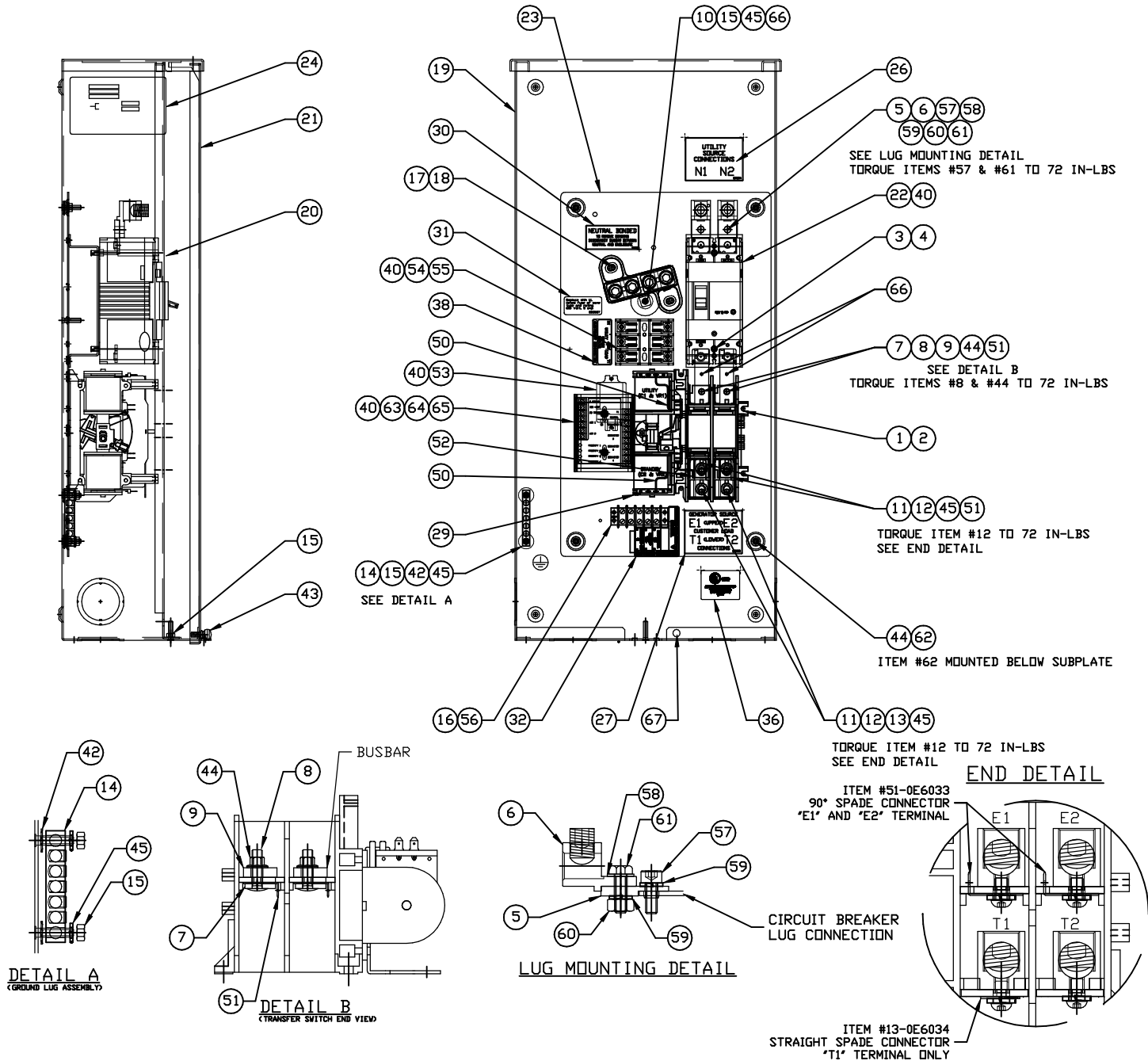
APPLICABLE TO:

ITEM	PART #	QTY.	DESCRIPTION
1	0C2237	1	TR SW-HSB 100A 2P 250V
2	074908	6	SCREW HHTT M5-0.8 X 10 BP
3	077033	6	LUG SLDLSS 1/0-#14X9/16 AL/CU
4	0G7624	6	SCREW PPHM #10-32 X 5/16
5	022152	6	WASHER, LOCK # 10
6	0E7886H	1	CB 100A 2P BACK MNT SIEMENS
7	0E7890	1	C/BKR MOUNTING BRACKET
8	0A1495	10	SCREW HHTT M4-0.7 X 10 BP
9	0H7258	1	WIRING HARNESS HSB (NOT SHOWN)
(2)10	063617	1	RELAY PNL 12VDC DPDT
(2)11	0D2572	1	FUSEBLOCK 30A 600V 3 POLE
12	073590A	3	FUSE 5A X BUSS HLDR73591
(2)13	0H1605	1	BLOCK, TERM 20A 5 X 6
14	0J8111	2	RIVET POP .156 X .25-.37 ALUM
15	0E3717	1	ASSY-NEUT BLK 100A W/TAP
16	090388	2	SCREW HHTT M6-1.0 X 12 MM
17	0G51590AL14	1	ENCLOSURE, 100/200A TRANSFER SWITCH
18	0G96650AL14	1	COVER, INSIDE TRANSFER SWITCH ENCL
19	0G51740AL14	1	COVER, TRANSFER SWITCH
20	0G55920GS0R	1	SUBPLATE, 100/200A XFER SW
21	0G55930AL14	1	RISER, 100A SERVICE ENTRANCE
22	PER MODEL	1	DECAL, FRNT CVR ATS 3R SER DIS
23	0G3369B	REF	DECAL, XFER SW SE 100A 120/240
	0H8063A	REF	DECAL, XFER SW SE 100A 120/240
	0J3804A	REF	DECAL, XFER SW SE 100A 120/240
24	0E3484	1	DECAL, MANUAL OPERATING HANDLE
25	0F9969	1	DECAL, UTILITY DISCONNECT
26	0G4220	1	DECAL, NEUTRAL CONNECTION
27	067210A	1	DECAL, GROUNDING LUG
28	0G0900	1	DECAL, UL LIST HSB
29	0D3587	1	DECAL, FUSE REPLACEMENT
30	0H7917	1	DECAL, TERMINAL STRIP
31	0H1558	1	DECAL, TEST SEQUENCE
32	0G3259	1	DECAL, TERMINAL SHOCK HZD BI
33	0G3274	1	DECAL, LIVE CIRCUIT ENG/FRN/SPN
34	0H6389	1	DECAL, UTILITY LOAD SENSE 240V
35	0H7274	1	DECAL, 2008 NEC COMPLIANCE
36	058000E	1	NUT TRIC 1/4-20 X .525
37	0E7213	1	THUMB SCREW 1/4-20x1/2
38	0E6523	1	GROUND BAR (5) 4-14 AWG CONN
39	0F7806	2	NUT HEX FL WHIZ M4-0.7
40	026579	2	WASHER SHAKEPROOF EXT #8 STEEL
41	085889	6	NUT HEX 1/4-20 SS
42	022473	8	WASHER FLAT 1/4-M6 ZINC
43	022097	5	WASHER LOCK M6-1/4
44	0E6193	1	BRACKET, ARM EXTENDER
45	0D6162	2	RIVET POP .156 X .362 AL
(1)46	0E6155	1	ARM EXTENDER PIN
47	0G5780A	1	WIRE ASM, 2AWG 100A 2-P T/S N1A
48	0G5780B	1	WIRE ASM, 2AWG 100A 2-P T/S N2A
49	0E6303	2	WIRE-A
50	0E6303C	1	WIRE-E1
51	0C3992	1	SCREW HHTT M4-0.7 X 16 BP
52	0G6417	1	BUSBAR, NEUTRAL BLOCK
53	0G7226	1	5/16" BRASS SPACER
54	074138	1	LUG DIS QK NI-S 10X45 DEG BR/T
55	0H7376A	1	ASSY PCB AC LOAD CONTROLLER
56	0H7270	1	CHANNEL SNAPTRACK 76.2 X 101.2

(1) SUPPLIED WITH TRANSFER SWITCH ITEM #1

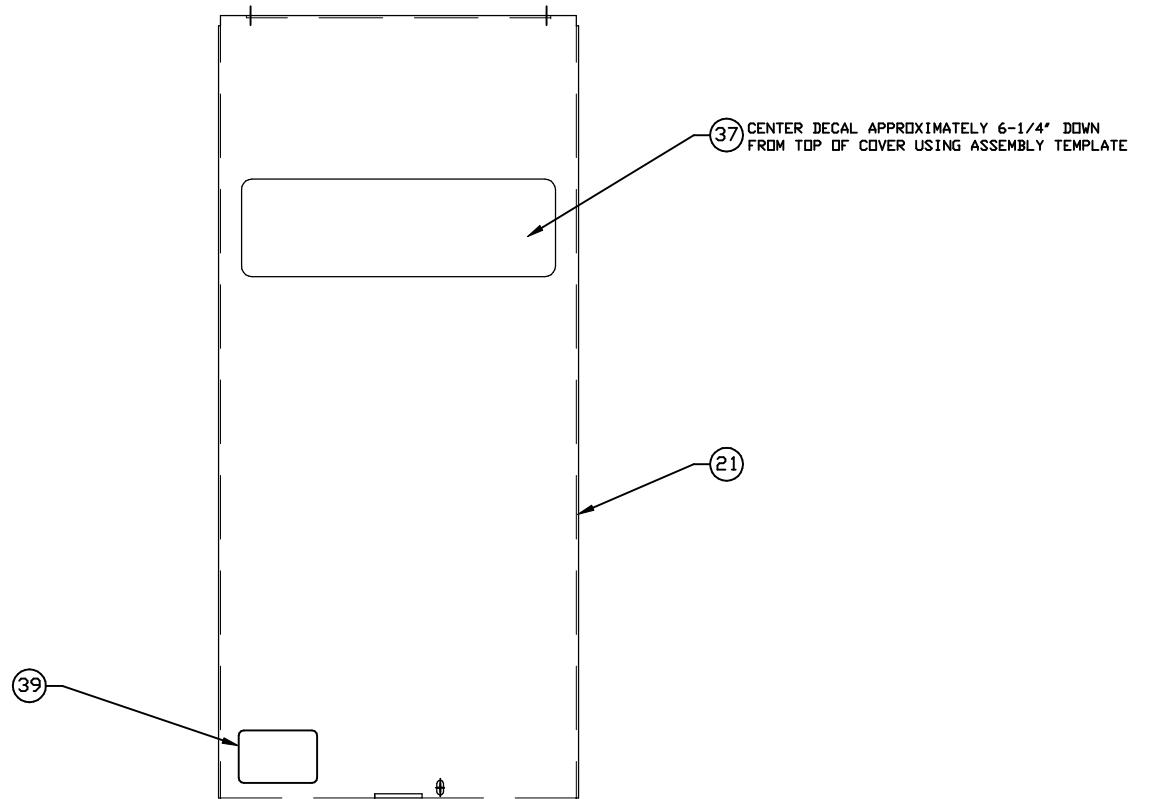
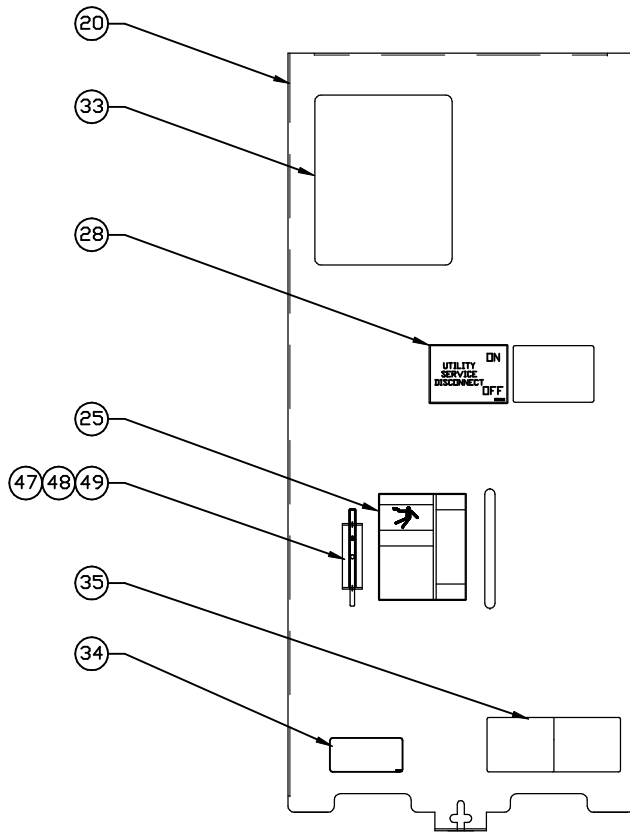
(2) SUPPLIED WITH WIRE HARNESS ITEM #9

GROUP C



DECAL DETAILS

VIEWS SHOWN WITH ITEMS #19 & #20 FULLY ASSEMBLED



EXPLODED VIEW: 200A SERVICE ENTRANCE GENERAC CB
DRAWING #: 0H7265A

GROUP C

APPLICABLE TO:

ITEM	PART #	QTY.	DESCRIPTION
1	0D9618	1	TRANSFER SW. HSB 200A 2P 250V
2	074908	5	SCREW HHTT M5-0.8 X 10 BP
3	0G4478	1	CIRCUIT BREAKER, 200A 2-POLE
4	053640	2	SCREW RHM #8-32 X 3-1/4
5	0F8843	2	BUSBAR, 200A LUG ADAPTER
6	0F8451	2	LUG 300 MCM-6STR
7	0G4413	2	SPACER 200 AMP TRANSFER
8	024334	2	BOLT CARR 1/4-20 X 1"
9	0G6352	2	BUSBAR, 200A TRANSFER SW N1,N2
10	0G6417	1	BUSBAR, NEUTRAL BLOCK
11	0E3375	4	LUG SOLDERLESS 250-#6 AL/CU
12	0F1252	4	SCREW BHSC 1/4-20 X 3/8
(1)13	0E6034	1	STRAIGHT SPADE CONNECTOR
14	0G6320	1	GROUND BAR(5) 2-14 AWG CONN
15	085889	4	NUT HEX 1/4-20 SS
16	0A1661	2	RIVET, P.OP. 156 X .67
17	0E3717A	1	ASSY-NEUT BLK 200-400A W/TAP
18	090388	2	SCREW HHTT M6-1.0 X 12 MM
19	0H10860AL14	1	ENCLOSURE, 200A SE XFER SW
20	0G96490AL14	1	COVER, INSIDE 200A DUAL BREAKER
21	0H10870AL14	1	COVER, TRANSFER SWITCH
22	0H1485	1	CB RISER BRACKET 200A GENERAC
23	0G9650	1	SUBPLATE, 200A SE XFER SW
24	0G3369A	REF	DECAL, TRANSFER SWITCH DATA
	0H8063B	REF	DECAL, TRANSFER SWITCH DATA
	0J3804C	REF	DECAL, TRANSFER SWITCH DATA
25	0E3484	1	DECAL, MANUAL OPERATING HANDLE
26	0G9651A	1	DECAL, UTILITY SOURCE CONN
27	0G9651B	1	DECAL, GENERATOR/CUSTOMER CONN
28	0G9651C	1	DECAL, UTILITY DISCONNECT
29	0G8535	1	DECAL, TRANSFER SWITCH INFO
30	0G4220	1	DECAL, NEUTRAL CONNECTION

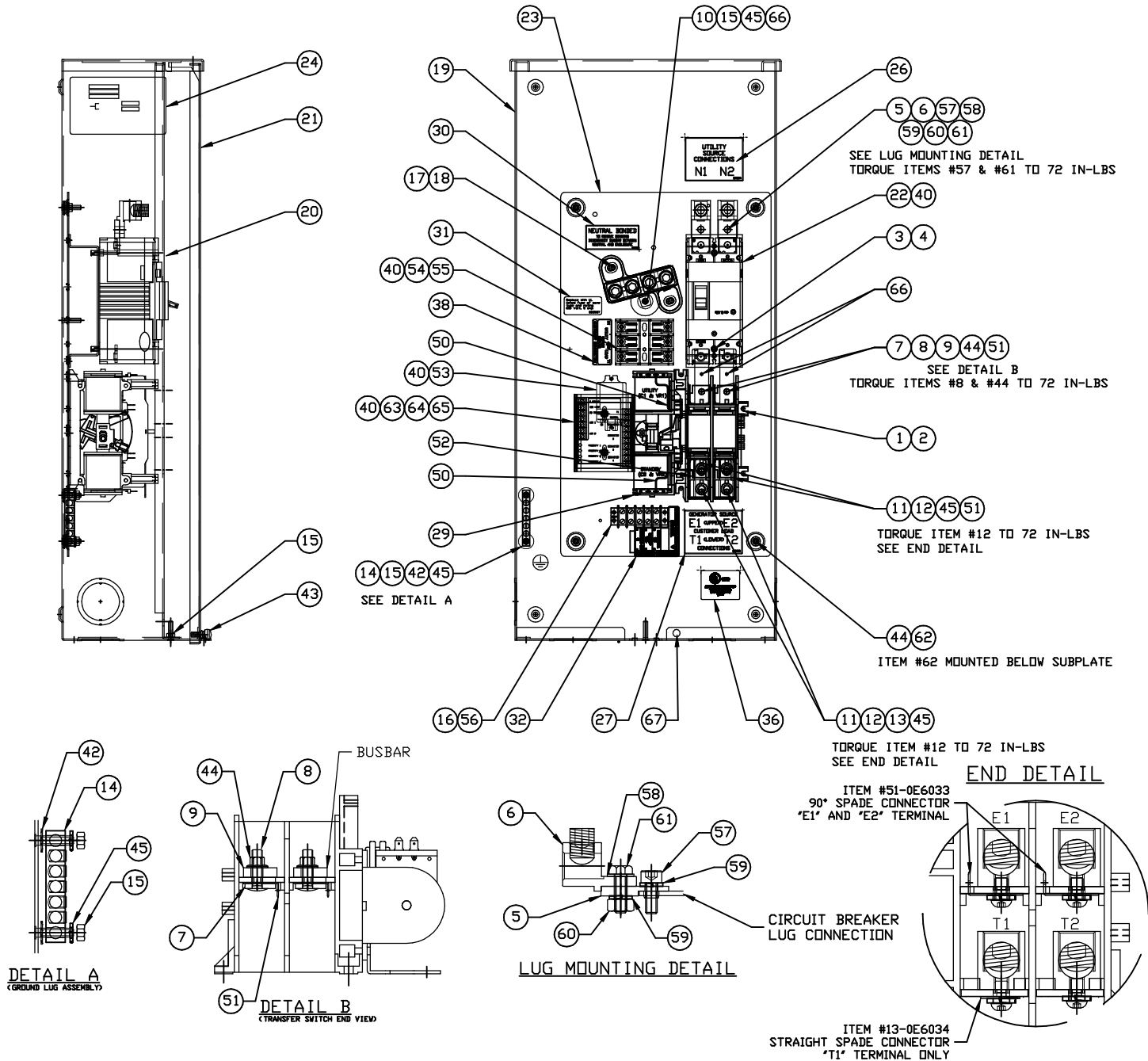
ITEM	PART #	QTY.	DESCRIPTION
31	0D3587	1	DECAL, FUSE REPLACEMENT
32	0H7917	1	DECAL, TERMINAL STRIP
33	0H1480	1	DECAL, TEST SEQUENCE
34	0G3274	1	DECAL, LIVE CIRCUIT ENG/FRN/SPN
35	0G3259	1	DECAL, TERMINAL SHOCK HZD BI
36	0G0900	1	DECAL, UL LIST HSB
37	PER ORDER	1	DECAL, FRNT CVR ATS 3R SER DIS
38	0H6389	1	DECAL, UTILITY LOAD SENSE 240V
39	0H7274	1	DECAL, 2008 NEC COMPLIANCE
40	0A1495	10	SCREW HHTT M4-0.7 X 10 BP
41	064761	4	TIE WRAP UL 5.6 X .10 (NOT SHOWN)
42	026850	2	WASHER SHAKEPROOF EXT 1/4 STL
43	0E7213	1	THUMB SCREW 1/4-20x1/2
44	0G8411	6	NUT HEX FL WHIZ 1/4-20
45	022097	7	WASHER LOCK M6-1/4
46	0H7259	1	WIRING HARNESS HSB (NOT SHOWN)
47	0E6193	1	BRACKET, ARM EXTENDER
48	0D6162	2	RIVET POP .156 X .362 AL
(1)49	0E6155	1	ARM EXTENDER PIN
50	0E6303	2	WIRE-A
(1)51	0E6033	4	90 DEGREE DN SPADE CONNECTOR
52	0E6303B	1	WIRE-E1
(2)53	063617	1	RELAY PNL 12VDC DPDT
(2)54	0D2572	1	FUSEBLOCK 30A 600V 3 POLE
55	073590A	3	FUSE 5A X BUSS HLDRT3591
(2)56	0H1605	1	BLOCK TERM 20A 5 X 6 X 1100V
57	049897	4	SCREW SHC M8-1.25 X 20 G8
58	022145	2	WASHER FLAT 5/16-M8 ZINC
59	022129	6	WASHER LOCK M8-5/16
60	045771	2	NUT HEX M8-1.25 G8 CLEARZINC
61	043107	2	SCREW HHC M8-1.25 X 25 C8.8
62	022473	4	WASHER FLAT 1/4-M6 ZINC
63	0H7376A	1	ASSY PCB AC LOAD CONTROLLER
64	0H7190	1	BRACKET LOAD SHED 200A RTS
65	0H7270	1	CHANNEL SNAPTRACK 76.2 X 101.2
66	026902	1	SCREW HHTT #8-32 X 1/4 CZ
67	058000E	1	NUT TRIC 1/4-20 X .525

(1) SUPPLIED WITH TRANSFER SWITCH ITEM #1
(2) SUPPLIED WITH HARNESS ITEM #46

APPLICABLE TO:

THIS PAGE IS LEFT INTENTIONALLY BLANK

GROUP C

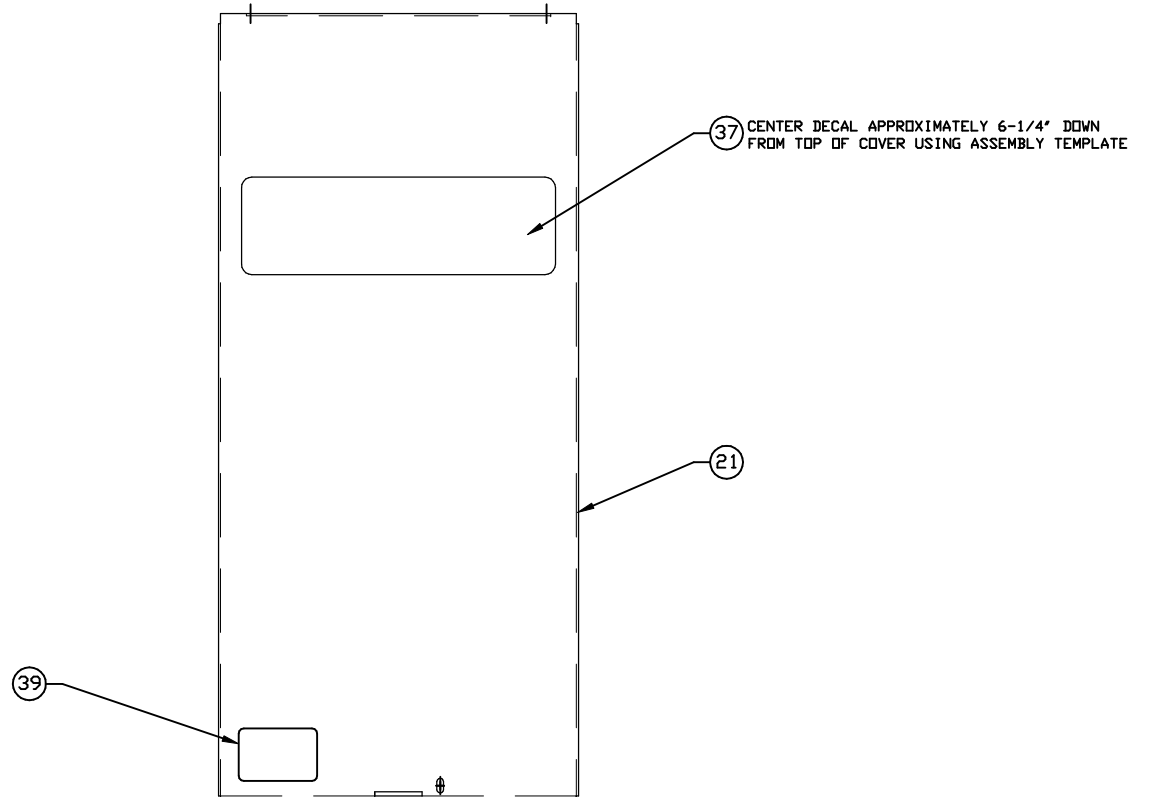
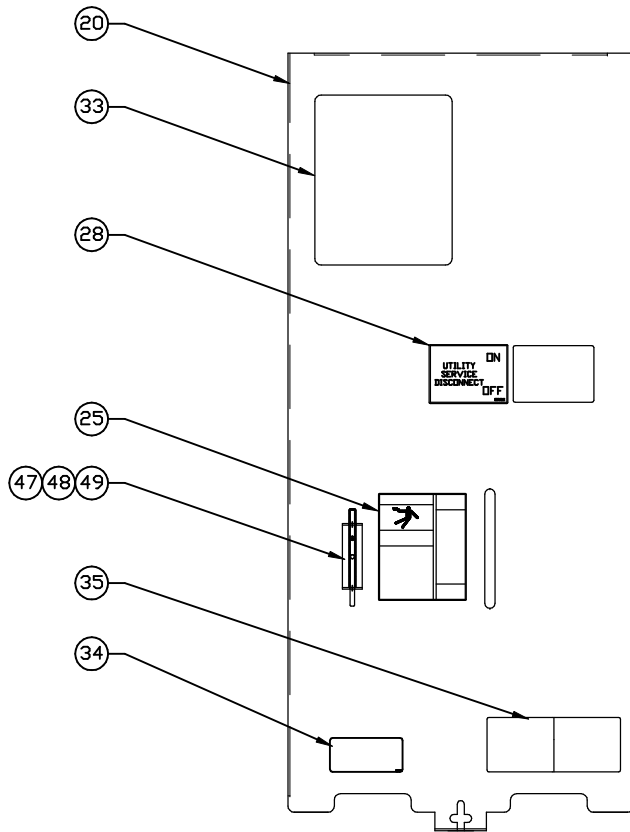


EXPLODED VIEW:
150A SERVICE ENTRANCE GENERAC CB
DRAWING #: 0J2006A

GROUP C

DECAL DETAILS

VIEWS SHOWN WITH ITEMS #19 & #20 FULLY ASSEMBLED



**EXPLODED VIEW: 150A SERVICE ENTRANCE GENERAC CB
DRAWING #: 0J2006A**

GROUP C

APPLICABLE TO:

ITEM	PART #	QTY.	DESCRIPTION
1	0D9618	1	TRANSFER SW. HSB 200A 2P 250V
2	074908	5	SCREW HHTT M5-0.8 X 10 BP
3	0G4478	1	CIRCUIT BREAKER, 200A 2-POLE
4	053640	2	SCREW RHM #8-32 X 3-1/4
5	0F8843	2	BUSBAR, 200A LUG ADAPTER
6	0F8451	2	LUG 300 MCM-6STR
7	0G4413	2	SPACER 200 AMP TRANSFER
8	024334	2	BOLT CARR 1/4-20 X 1"
9	0G6352	2	BUSBAR, 200A TRANSFER SW N1,N2
10	0G6417	1	BUSBAR, NEUTRAL BLOCK
11	0E3375	4	LUG SOLDERLESS 250-#6 AL/CU
12	0F1252	4	SCREW BHSC 1/4-20 X 3/8
(1)13	0E6034	1	STRAIGHT SPADE CONNECTOR
14	0G6320	1	GROUND BAR(5) 2-14 AWG CONN
15	085889	4	NUT HEX 1/4-20 SS
16	0A1661	2	RIVET, P.OP. 156 X .67
17	0E3717A	1	ASSY-NEUT BLK 200-400A W/TAP
18	090388	2	SCREW HHTT M6-1.0 X 12 MM
19	0H10860AL14	1	ENCLOSURE, 200A SE XFER SW
20	0G96490AL14	1	COVER, INSIDE 200A DUAL BREAKER
21	0H10870AL14	1	COVER, TRANSFER SWITCH
22	0H1485	1	CB RISER BRACKET 200A GENERAC
23	0G9650	1	SUBPLATE, 200A SE XFER SW
24	0G3369A	REF	DECAL, TRANSFER SWITCH DATA
	0J2699B	REF	DECAL, TRANSFER SWITCH DATA
	0J3804B	REF	DECAL, TRANSFER SWITCH DATA
25	0E3484	1	DECAL, MANUAL OPERATING HANDLE
26	0G9651A	1	DECAL, UTILITY SOURCE CONN
27	0G9651B	1	DECAL, GENERATOR/CUSTOMER CONN
28	0G9651C	1	DECAL, UTILITY DISCONNECT
29	0G8535	1	DECAL, TRANSFER SWITCH INFO
30	0G4220	1	DECAL, NEUTRAL CONNECTION

ITEM	PART #	QTY.	DESCRIPTION
31	0D3587	1	DECAL, FUSE REPLACEMENT
32	0H7917	1	DECAL, TERMINAL STRIP
33	0H1480	1	DECAL, TEST SEQUENCE
34	0G3274	1	DECAL, LIVE CIRCUIT ENG/FRN/SPN
35	0G3259	1	DECAL, TERMINAL SHOCK HZD BI
36	0G0900	1	DECAL, UL LIST HSB
37	PER ORDER	1	DECAL, FRNT CVR ATS 3R SER DIS
38	0H6389	1	DECAL, UTILITY LOAD SENSE 240V
39	0H7274	1	DECAL, 2008 NEC COMPLIANCE
40	0A1495	10	SCREW HHTT M4-0.7 X 10 BP
41	064761	4	TIE WRAP UL 5.6 X .10 (NOT SHOWN)
42	026850	2	WASHER SHAKEPROOF EXT 1/4 STL
43	0E7213	1	THUMB SCREW 1/4-20x1/2
44	0G8411	6	NUT HEX FL WHIZ 1/4-20
45	022097	7	WASHER LOCK M6-1/4
46	0H7259	1	WIRING HARNESS HSB (NOT SHOWN)
47	0E6193	1	BRACKET, ARM EXTENDER
48	0D6162	2	RIVET POP .156 X .362 AL
(1)49	0E6155	1	ARM EXTENDER PIN
50	0E6303	2	WIRE-A
(1)51	0E6033	4	90 DEGREE DN SPADE CONNECTOR
52	0E6303B	1	WIRE-E1
(2)53	063617	1	RELAY PNL 12VDC DPDT
(2)54	0D2572	1	FUSEBLOCK 30A 600V 3 POLE
55	073590A	3	FUSE 5A X BUSS HLDRT3591
(2)56	0H1605	1	BLOCK TERM 20A 5 X 6 X 1100V
57	049897	4	SCREW SHC M8-1.25 X 20 G8
58	022145	2	WASHER FLAT 5/16-M8 ZINC
59	022129	6	WASHER LOCK M8-5/16
60	045771	2	NUT HEX M8-1.25 G8 CLEARZINC
61	043107	2	SCREW HHC M8-1.25 X 25 C8.8
62	022473	4	WASHER FLAT 1/4-M6 ZINC
63	0H7376A	1	ASSY PCB AC LOAD CONTROLLER
64	0H7190	1	BRACKET LOAD SHED 200A RTS
65	0H7270	1	CHANNEL SNAPTRACK 76.2 X 101.2
66	026902	1	SCREW HHTT #8-32 X 1/4 CZ
67	058000E	1	NUT TRIC 1/4-20 X .525

(1) SUPPLIED WITH TRANSFER SWITCH ITEM #1
(2) SUPPLIED WITH HARNESS ITEM #46

EXPLODED VIEW: 150A SERVICE ENTRANCE GENERAC CB
DRAWING #: 0J2006A
APPLICABLE TO:

GROUP C

THIS PAGE IS LEFT INTENTIONALLY BLANK