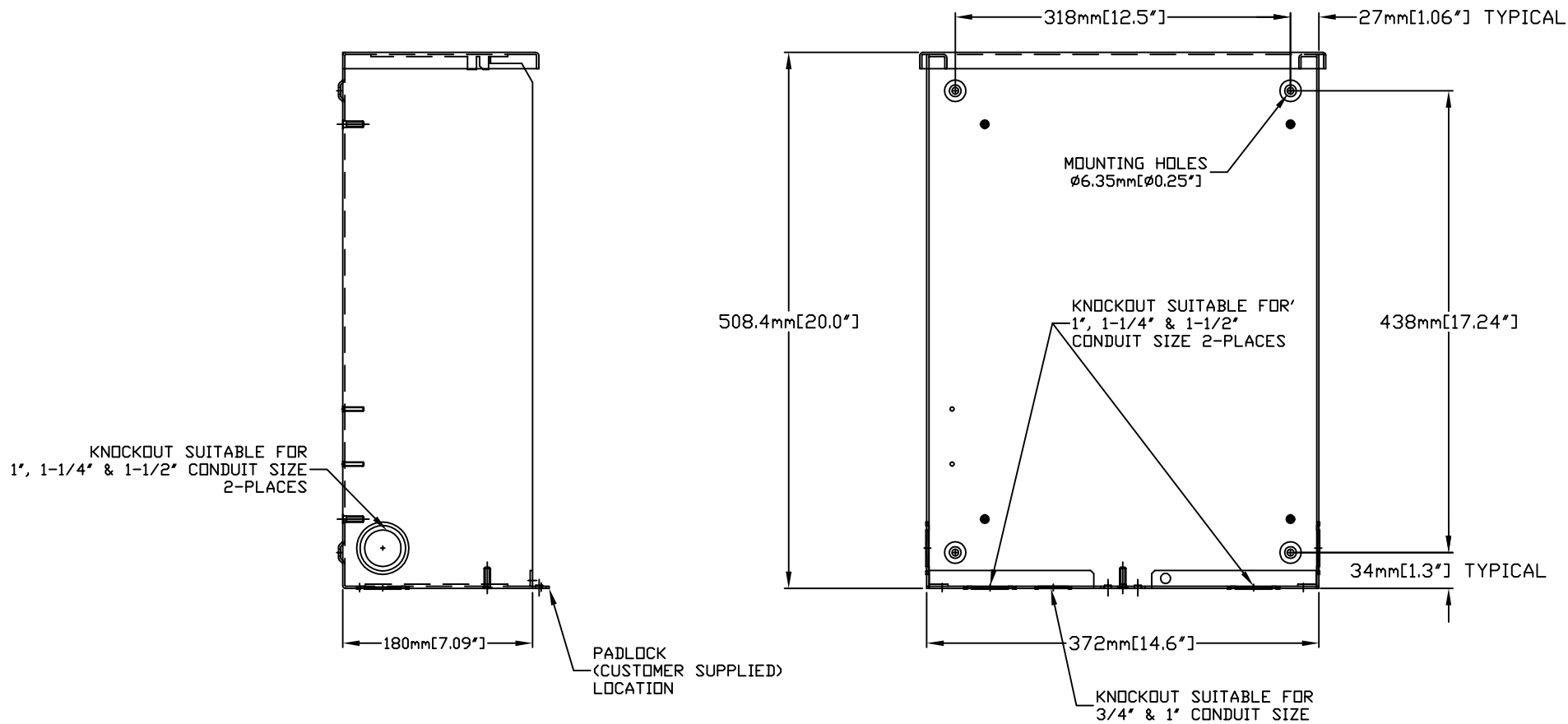


GROUP C

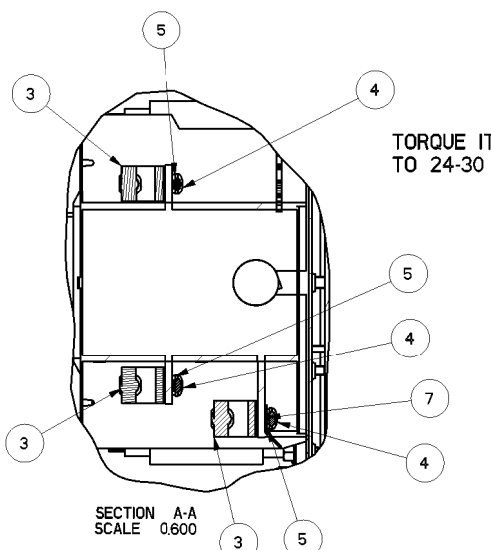
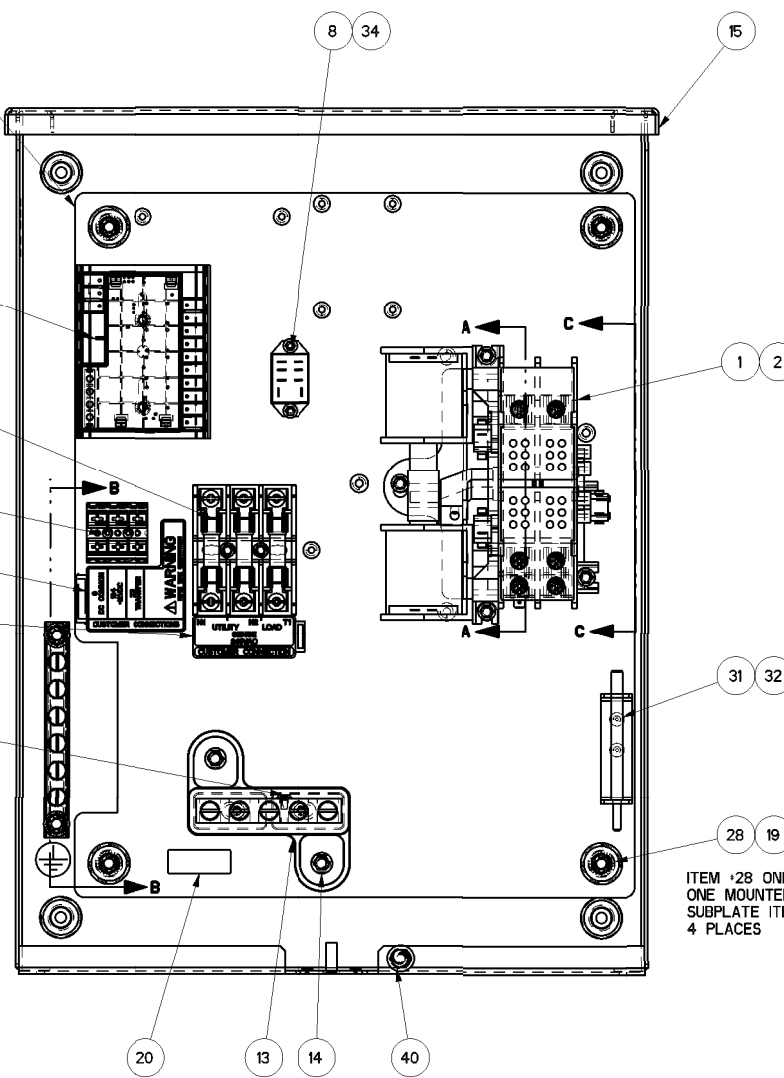
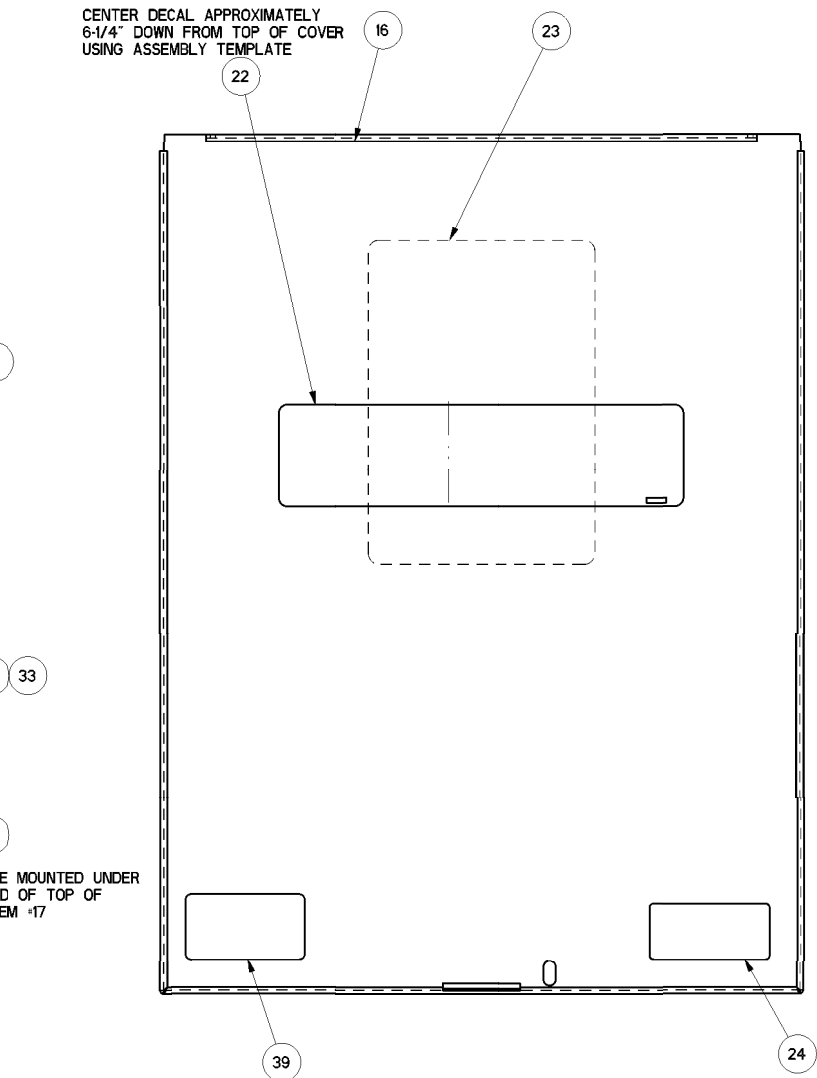


| ITEM # | PART # | QTY | DESCRIPTION |
|--------|-------------|-----|----------------------------------|
| 1 | 0L2910 | 1 | XFRSW HSB 100A 2P 250V |
| 2 | 074908 | 4 | SCREW HHTT M5-0.8 X 10 BP |
| 3 | 077033 | 6 | LUG SLDLSS 1/0-#14X9/16 AL/CU |
| 4 | 0G7624 | 6 | SCREW PPHM #10-32 X 5/16 |
| 5 | 022152 | 6 | WASHER LOCK #10 |
| 6 | 0A1495 | 4 | SCREW HHTT M4-0.7 X 10 BP |
| 7 | 0G74138 | 1 | LUG DIS QK NI-S 10X45 DEG BR/T |
| ** 8 | 0K0103 | 1 | RELAY PNL 12VDC DPDT 10A@240VA |
| ** 9 | 0D2572 | 1 | FUSEBLOCK 30A 600V 3POS W/SO |
| 10 | 073590A | 3 | FUSE 5A X BUSS |
| ** 11 | 0D7393T | 1 | TERM BLOCK 3P UL 12-20AWG |
| 12 | 0L3068 | 2 | SCREW THTT M3-0.5 X 25 ZP |
| 13 | 0K0108 | 1 | ASSY-NEUT BLK 100A |
| 14 | 090388 | 2 | SCREW HHTT M6-1.0 X 12 ZINC |
| 15 | 0K0120ALOR | 1 | ENCLOSURE 100/200A XFER SW_RAW |
| 16 | 0K01130ALOR | 1 | COVER 100A XFER SWITCH_INST_RAW |
| 17 | 0K0114 | 1 | SUBPLATE, 100/200A XFER SW |
| 18 | 0H7917 | 1 | DECAL CUSTOMER CONN RTS |
| 19 | 0G8411 | 6 | NUT HEX FL WHIZ 1/4-20 |
| 20 | 0A9457 | 1 | DECAL, NEUTRAL |
| 21 | 0A9517 | 1 | DECAL MANUAL 5A FUSE |
| * 22 | 0K1098 | 1 | DECAL RTS TRANSFER SW GENERAC |
| 23 | 0K1800 | 1 | DECAL TEST SEQUENCE 100/200A NON |
| 24 | 0G3274 | 1 | DECAL LIVE CIRCUIT ENG/FRN/SPN |
| 25 | 0H6389 | 1 | DECAL UTILITY LOAD SENSE 240V |
| 26 | 0J8202 | 1 | LUG SLDLSS 2/0-#14X#10-32X.125 |
| 27 | 026850 | 2 | WASHER LOCK EXT 1/4 STL |
| 28 | 022473 | 4 | WASHER FLAT 1/4-M6 ZINC |
| * 29 | 0K1799A | 1 | DECAL DATA NON SE SW 100A |
| 30 | 085296 | 1 | SCREW HHC 1/4-20 X 1/2 SS |
| 31 | 0D6162 | 2 | RIVET POP .156 X .362 AL |
| 32 | 0E6155 | 1 | PIN ARM EXTENDER |
| 33 | 0E6193 | 1 | BRACKET, ARM EXTENDER |
| 34 | 0F2659 | 2 | SCREW HHTT M3-0.5 X 6 BP |
| 35 | 0A2115 | 1 | WASHER NYLON .257 |
| 36 | 026902 | 1 | SCREW HHTT #8-32 X 1/4 CZ |
| 37 | 0H7270 | 1 | CHANNEL SNAPTRACK 76.2 X 101.2 |
| 38 | 0L3123 | 1 | ASSY SMART AC MOD |
| 39 | 0H7274 | 1 | DECAL NEC COMPLIANCE |
| 40 | 0L6699 | 1 | NUT TRIC 1/4-20 ALUM |
| 41 | 0L3246 | 1 | WIRE HARNESS 100/200A RTS |

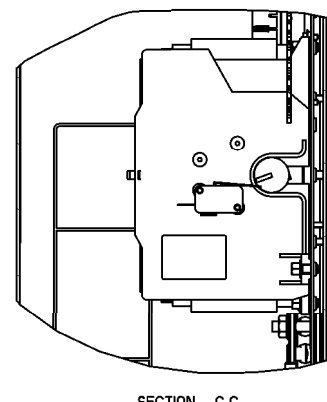
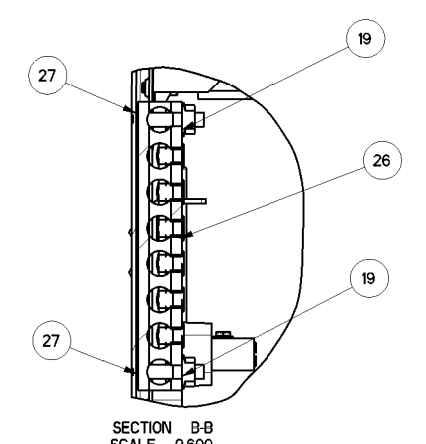
*SERIAL NUMBER AND FRONT DECAL PER MODEL
 **SUPPLIED WITH HARNESS ITEM #41

| PART NUMBER | DESCRIPTION | ITEM # 29 | ITEM # 22 |
|-------------|------------------------------|-----------|-----------|
| OL3210 | ASSEMBLY 100A 120/240 NON SE | OK1799A | PER MODEL |
| OL3210A | EXPLODED VIEW DRAWING | N/A | N/A |
| OL3210B | ASSEMBLY 100A 120/240 NON SE | OK1799A | OK1098 |
| OL3210C | ASSEMBLY 100A 120/240 NON SE | OJ3806A | OK1274 |

| | | | | | |
|---|--------------|------------------------|--|-----------------------------------|--------------------------------|
| GENERAL TOLERANCES UNLESS NOTED | | THIRD ANGLE PROJECTION | | GENERAC | |
| ALL XX ± 0.4 MM | XXX ± 0.4 MM | | | TITLE | |
| ALL DIM ± .1 | ALL DIM ± .1 | | | ASSEMBLY DWG 2-POLE 100A 120/240V | |
| <small>GENERAC POWER SYSTEMS OWNS THE COPYRIGHT OF THIS DRAWING WHICH IS SUPPLIED IN CONFIDENTIAL AND MUST NOT BE USED FOR ANY PURPOSE OTHER THAN FOR WHICH IT IS SUPPLIED WITHOUT THE EXPRESS WRITTEN CONSENT OF GENERAL POWER SYSTEMS. © GENERAL POWER SYSTEMS 2010</small> | | | | ISSUE DATE: | |
| ELECTRONICALLY APPROVED INSIDE WINDCHILL | | | | SIZE | DWG NO |
| | | | | D | OL3210\$ |
| | | | | SCALE | WT-KG 22428213.10 SHEET 1 of 1 |
| | | | | REV | C |



TORQUE ITEM #4 TO 24-30 IN-LBS



REFERENCE DRAWINGS
 OL3241 SCHEMATIC/WIRING DIAGRAMS
 OF6778 CARTON 30.5 X 14.2 X 7.8
 OH7275 TEST PROC HSB XFRSW
 OK0115 KIT ENCL 100/200A NON SE AL

GENERAL ASSEMBLY DRAWING

DRAWING CREATED FROM PRO/ENGINEER 3D FILE. ECO MODIFICATION TO BE APPLIED TO SOLID MODEL ONLY.

| SH | I/I | REV | C | WINDMILL VERSION | C.2 | DESCRIPTION |
|----|-----|-----|---|------------------|-----|--|
| | | | | | | ITEM # PART # QTY |
| | | | | | | 1 0L2911 1 XFRSW HSB 200A 2P 250V |
| | | | | | | 2 074908 5 SCREW HHTT M5-0.8 X 10 BP |
| | | | | | | 3 0E3375 6 LUG SLDLSS 250-H6 AL/CU |
| | | | | | | 4 0F1252 6 SCREW BHSC 1/4-20 X 3/8 |
| | | | | | | 5 022097 6 WASHER LOCK M6-1/4 |
| | | | | | | 6 0A1495 4 SCREW HHTT M4-0.7 X 10 BP |
| ** | | | | | | 7 0K0103 1 RELAY PNL 12VDC DPDT 10A@240VA |
| ** | | | | | | 8 0D2572 1 FUSEBLOCK 30A 600V 3POS W/SO |
| | | | | | | 9 073590A 3 FUSE 5A X BUSS |
| ** | | | | | | 10 0D7393T 1 TERM BLOCK 3P UL 12-20AWG |
| | | | | | | 11 0L3068 2 SCREW HHTT M3-0.5 X 25 ZP |
| | | | | | | 12 0K0108A 1 ASSY-NEUT BLK 200A W/TAP |
| | | | | | | 13 090388 2 SCREW HHTT M6-1.0 X 12 ZINC |
| | | | | | | 14 0K01120ALOR 1 ENCLOSURE 100/200A XFER SW_RAW |
| | | | | | | 15 0K01130ALOR 1 COVER 100A XFER SWITCH_INST_RAW |
| | | | | | | 16 0K0114 1 SUBPLATE, 100/200A XFER SW |
| | | | | | | 17 026902 1 SCREW HHTT #8-32 X 1/4 CZ |
| * | | | | | | 18 0K1799B 1 DECAL DATA NON SE SW 200A |
| | | | | | | 19 0A9517 1 DECAL MANUAL 5A FUSE |
| | | | | | | 20 0A9457 1 DECAL, NEUTRAL |
| | | | | | | 21 0E6033 2 90 DEGREE DN SPADE CONNECTOR |
| | | | | | | 22 0K1800 1 DECAL TEST SEQUENCE 100/200A NON |
| | | | | | | 23 0G3274 1 DECAL LIVE CIRCUIT ENG/FRN/SPN |
| | | | | | | 24 0H6389 1 DECAL UTILITY LOAD SENSE 240V |
| | | | | | | 25 0J8202 1 LUG SLDLSS 2/0-H14X#10-32X.125 |
| | | | | | | 26 026850 2 WASHER LOCK EXT 1/4 STL |
| | | | | | | 27 022473 4 WASHER FLAT 1/4-M6 ZINC |
| | | | | | | 28 0A2115 1 WASHER NYLON .257 |
| | | | | | | 29 085296 1 SCREW HHC 1/4-20 X 1/2 SS |
| | | | | | | 30 0D6162 2 RIVET POP .156 X .362 AL |
| | | | | | | 31 0E6155 1 PIN ARM EXTENDER |
| | | | | | | 32 0E6193 1 BRACKET, ARM EXTENDER |
| | | | | | | 33 0F2659 2 SCREW HHTT M3-0.5 X 6 BP |
| | | | | | | 34 0G8411 6 NUT HEX FL WHIZ 1/4-20 |
| * | | | | | | 35 0K1098 1 DECAL RTS TRANSFER SW GENERAC |
| | | | | | | 36 0H7274 1 DECAL NEC COMPLIANCE |
| | | | | | | 37 0H7917 1 DECAL CUSTOMER CONN RTS |
| | | | | | | 38 0H7270 1 CHANNEL SNAPTRACK 76.2 X 101.2 |
| | | | | | | 39 0L3123 1 ASSY SMART AC MOD |
| | | | | | | 40 0L6699 1 NUT TRIC 1/4-20 ALUM |
| | | | | | | 41 0L3246 1 WIRE HARNESS 100/200A RTS |

*SERIAL NUMBER AND FRONT DECAL PER MODEL
 **SUPPLIED WITH HARNESS ITEM #41

| PART NUMBER | DESCRIPTION | ITEM # 18 | ITEM # 35 |
|-------------|------------------------------|-----------|-----------|
| 0L3211 | ASSEMBLY 200A 120/240 NON SE | 0K1799B | PER MODEL |
| 0L3211A | EXPLODED VIEW DRAWING | N/A | N/A |
| 0L3211B | ASSEMBLY 200A 120/240 NON SE | 0K1799B | 0K1098 |
| 0L3211C | ASSEMBLY 200A 120/240 NON SE | 0J3806B | 0K1274 |

GENERAL TOLERANCES UNLESS NOTED

| | |
|--|---|
| ALL XX : ± 0.4 MM | THIRD ANGLE PROJECTION |
| XXX : ± 0.4 MM | |
| XXXX : ± 0.5 MM | |
| ALL ANG : ± 1° | TITLE ASSEMBLY DWG 2-POLE 200A 120/240V |
| INTERPRET DIM AND TOL PER ASME Y14.5M-1994 | ISSUE DATE: SIZE D CAGE NO N/A DWG NO 0L3211\$ REV C SCALE 0.450 WT-KG 22428213.136HEET 1 of 1 |

GENERAC
 ELECTRONICALLY APPROVED
 185/DC WINDMILL

CENTER DECAL APPROXIMATELY 6-1/4" DOWN FROM TOP OF COVER USING ASSEMBLY TEMPLATE

ITEM #27 ONE MOUNTED UNDER ONE MOUNTED OF TOP OF SUBPLATE ITEM #16 4 PLACES

TORQUE ITEM #4 TO 72 IN-LBS

SECTION A-A SCALE 0.750

SECTION B-B SCALE 0.600

SECTION C-C

REFERENCE DRAWINGS
 0L3241 SCHEMATIC/WIRING DIAGRAMS
 0F6778 CARTON 30.5 X 14.2 X 7.8
 0H7275 TEST PROC HSB XFRSW
 0K0115 KIT ENCL 100/200A NON SE AL

GENERAL ASSEMBLY DRAWING

DRAWING CREATED FROM PRO/ENGINEER 3D FILE. ECO MODIFICATION TO BE APPLIED TO SOLID MODEL ONLY.

8

7

6

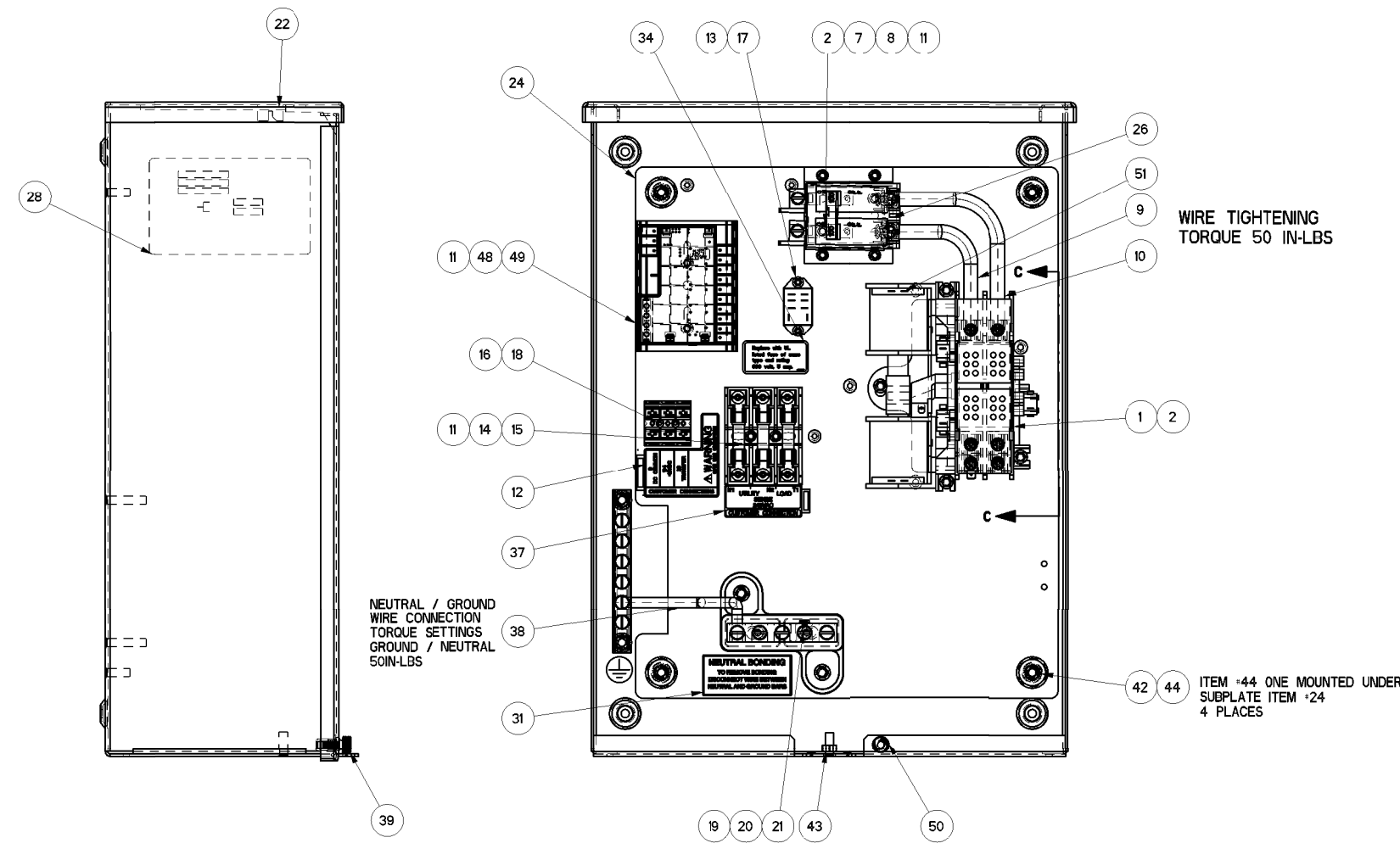
5

4

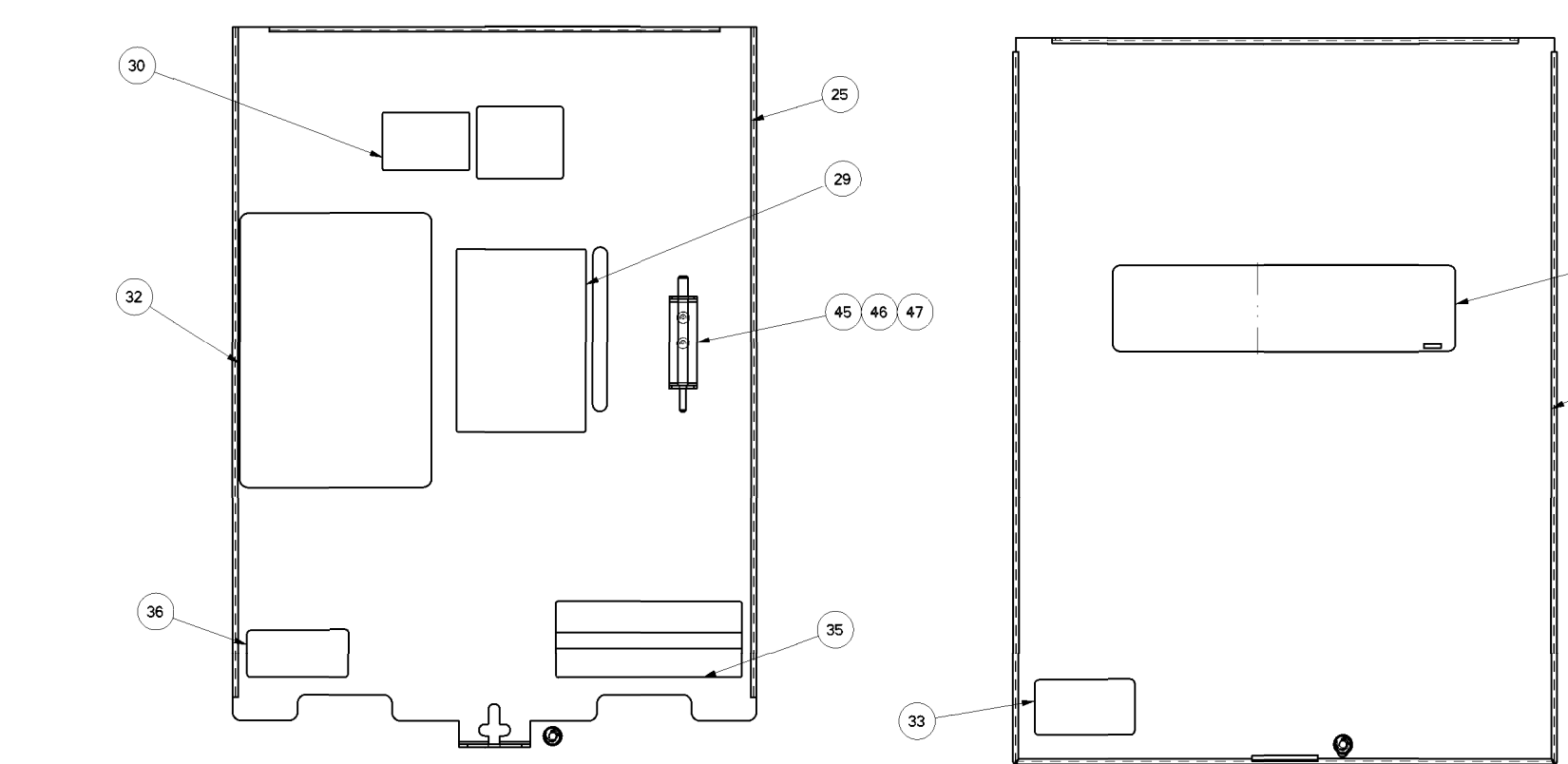
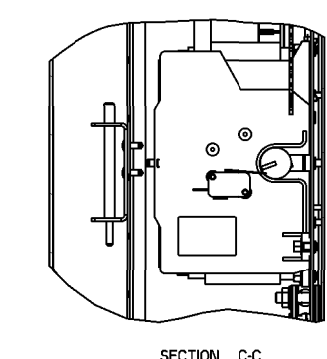
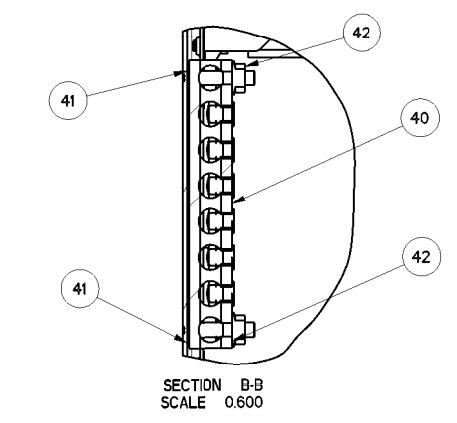
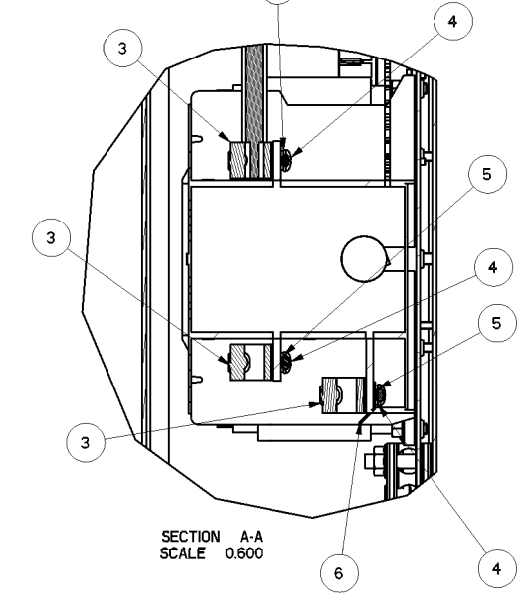
3

| SH | I/I | REV | D | WINDMILL VERSION | D.I |
|----|-----|-----|---|------------------|-----|
| | | | | | |

| ITEM # | PART # | QTY | DESCRIPTION |
|--------|---------|-------------|-----------------------------------|
| 1 | 0L2910 | 1 | XFRSW HSB 100A 2P 250V |
| 2 | 074908 | 6 | SCREW HHTT M5-0.8 X 10 BP |
| 3 | 077033 | 6 | LUG SLDLSS 1/0-#14X9/16 AL/CU |
| 4 | 0G7624 | 6 | SCREW PPHM #10-32 X 5/16 |
| 5 | 022152 | 6 | WASHER LOCK #10 |
| 6 | G074138 | 1 | LUG DIS QK NI-S 10X45 DEG BR/T |
| 7 | 0E7886H | 1 | CB 0100A 2P 240V S BQ2 LB |
| 8 | 0E7890 | 1 | BRKT CB MTG BACK |
| 9 | 0G5780A | 1 | ASSY WIRE 2AWG 5.375" #N1A BLK |
| 10 | 0G5780B | 1 | ASSY WIRE 2AWG 6.875" #N2A BLK |
| 11 | 0A1495 | 8 | SCREW HHTT M4-0.7 X 10 BP |
| 12 | 0H7917 | 1 | DECAL CUSTOMER CONN RTS |
| ** | 13 | 0K0103 | RELAY PNL 12VDC DPDT 10A@240VA |
| ** | 14 | 0D2572 | FUSEBLOCK 30A 600V 3POS W/SQ |
| ** | 15 | 073590A | FUSE 5A X BUSS |
| ** | 16 | 0D7393T | TERM BLOCK 3P UL 12-20AWG |
| ** | 17 | 0F2659 | SCREW HHTT M3-0.5 X 6 BP |
| ** | 18 | 0L3068 | SCREW HHTT M3-0.5 X 25 ZP |
| ** | 19 | 0K0108 | ASSY-NEUT BLK 100A |
| ** | 20 | 090388 | SCREW HHTT M6-1.0 X 12 ZINC |
| ** | 21 | 026902 | SCREW HHTT #8-32 X 1/4 C2 |
| ** | 22 | 0K01120ALOR | ENCLOSURE 100/200A XFER SW_RAW |
| ** | 23 | 0K01130ALOR | COVER 100A XFER SWITCH_INST_RAW |
| ** | 24 | 0K0114 | SUBPLATE,100/200A XFER SW |
| ** | 25 | 0K11120ALOR | COVER INSIDE 100A SE GRAY_RAW |
| ** | 26 | 0K1119 | RISER 100A SERV ENT |
| ** | 27 | 0K1098 | DECAL RTS TRANSFER SW GENERAC |
| ** | 28 | 0K1736A | DECAL XFER SW SE 100A 120/240 |
| ** | 29 | 0E3484 | DECAL WARN MANUAL OPER HANDLE |
| ** | 30 | 0F9969 | DECAL UTILITY DISCONNECT |
| ** | 31 | 0K1018 | DECAL, NEUTRAL CONNECTION |
| ** | 32 | 0K1738 | DECAL TEST SEQUENCE 100-200A SE |
| ** | 33 | 0H7274 | DECAL NEC COMPLIANCE |
| ** | 34 | 0D3587 | DECAL, FUSE REPLACEMENT |
| ** | 35 | 0G3259 | DECAL TERMINAL SHOCK HZD B1 |
| ** | 36 | 0G3274 | DECAL LIVE CIRCUIT ENG/FRN/SPN |
| ** | 37 | 0H6389 | DECAL UTILITY LOAD SENSE 240V |
| ** | 38 | 0K1167 | WIRE NEUTRAL TO GROUND CONNECTION |
| ** | 39 | 0L6700 | SCREW THUMB 1/4-20 X 1/2 KNURL |
| ** | 40 | 0J8202 | LUG SLDLSS 2/0-#14X#10-32X.125 |
| ** | 41 | 026850 | WASHER LOCK EXT 1/4 STL |
| ** | 42 | 0G8411 | NUT HEX FL WHIZ 1/4-20 |
| ** | 43 | 085889 | NUT HEX 1/4-20 SS |
| ** | 44 | 022473 | WASHER FLAT 1/4-M6 ZINC |
| ** | 45 | 0E6193 | BRACKET, ARM EXTENDER |
| ** | 46 | 0D6162 | RIVET POP .156 X .362 AL |
| ** | 47 | 0E6155 | PIN ARM EXTENDER |
| ** | 48 | 0L3123 | ASSY SMART AC MOD |
| ** | 49 | 0H7270 | CHANNEL SNAPTRACK 76.2 X 101.2 |
| ** | 50 | 0L6699 | NUT TRIC 1/4-20 ALUM |
| ** | 51 | 0L3246 | WIRE HARNESS 100/200A RTS |



TORQUE ITEM #4 TO 24-30 IN-LBS



CENTER DECAL APPROXIMATELY 6-1/4" DOWN FROM TOP OF COVER USING ASSEMBLY TEMPLATE

**SERIAL NUMBER AND FRONT DECAL PER MODEL
**SUPPLIED WITH HARNESS ITEM #51

REFERENCE DRAWINGS
 0L3242 SCHEMATIC/WIRING DIAGRAMS
 0F6778 CARTON 30.5 X 14.2 X 7.8
 0H7275 TEST PROC HSB XFRSW
 0K0116 KIT ENCL 100 SE AL

| PART NUMBER | DESCRIPTION | ITEM # 28 | ITEM # 27 |
|-------------|--------------------------|-----------|-----------|
| 0L3215 | ASSEMBLY 100A 120/240 SE | 0K1736A | PER MODEL |
| 0L3215A | EXPLODED VIEW DRAWING | N/A | N/A |
| 0L3215B | ASSEMBLY 200A 120/240 SE | 0K1736A | 0K1098 |
| 0L3215C | ASSEMBLY 200A 120/240 SE | 0J3804A | 0K1274 |

| GENERAL TOLERANCES UNLESS NOTED | | THIRD ANGLE PROJECTION |
|--|----------|------------------------|
| ALL XX | ± 0.4 MM | |
| XXX | ± 0.4 MM | |
| XXXX | ± 0.6 MM | |
| ALL ANG | ± 1° | |
| INTERPRET DIM AND TOL PER ASME Y14.5M-1994 | | |

GENERAC

TITLE
ASSEMBLY DWG 2-POLE 100A 120/240V SE

DRAWING CREATED FROM PRO/ENGINEER 3D FILE. ECO MODIFICATION TO BE APPLIED TO SOLID MODEL ONLY.

| ISSUE DATE: | SIZE | CAGE NO | DWG NO | REV |
|-------------|------|---------|----------|-------------------------------|
| | D | N/A | 0L3215\$ | D |
| SCALE 0.400 | | | | WT-KG 22428223.726HEET 1 of 1 |

GENERAL ASSEMBLY DRAWING

8

7

6

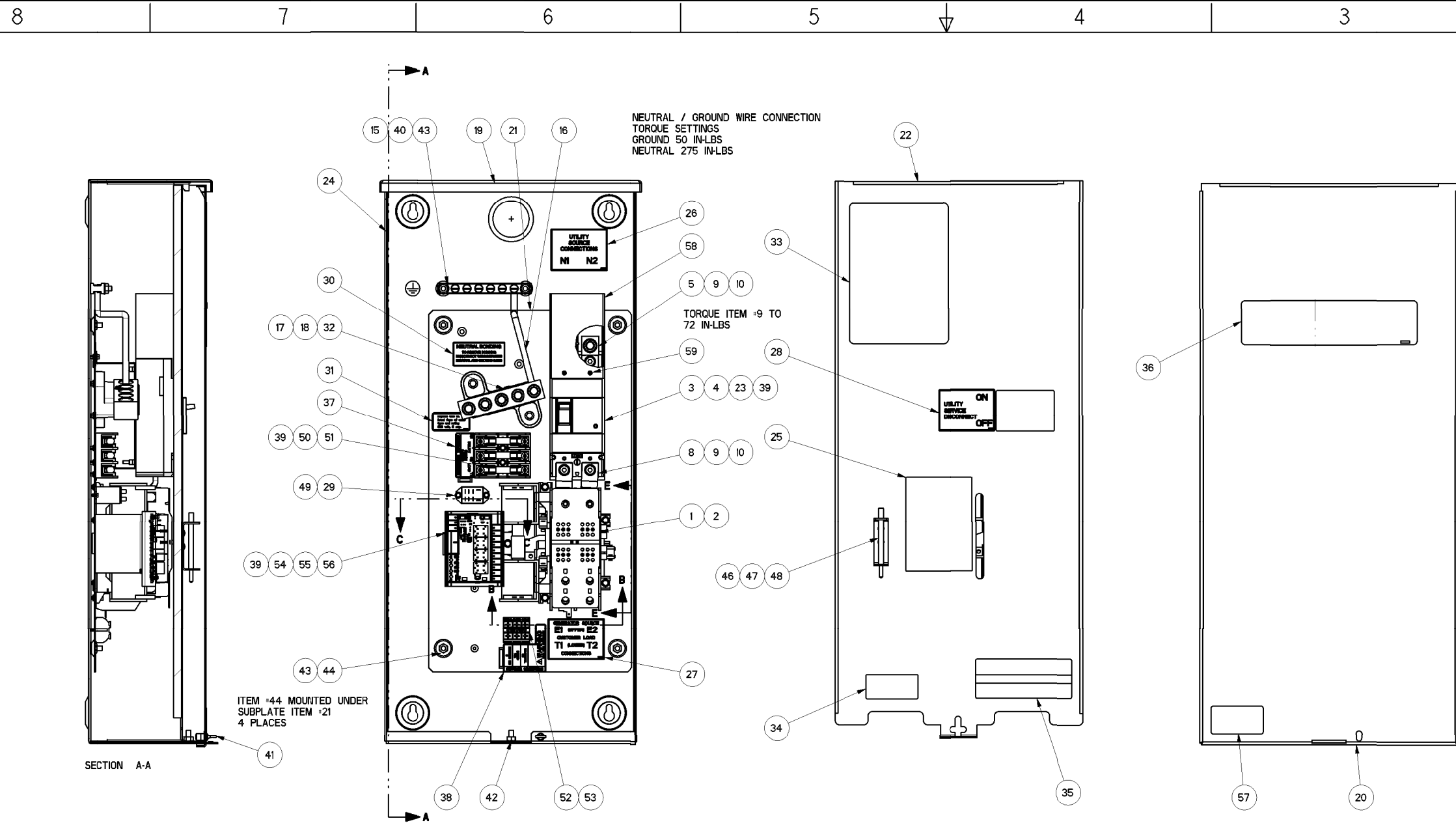
5

4

3

2

1



| ITEM # | PART # | QTY | DESCRIPTION |
|--------|-------------|-----|----------------------------------|
| 1 | 0L2911 | 1 | XFRSW HSB 200A 2P 250V |
| 2 | 074908 | 5 | SCREW HHTT M5-0.8 X 10 BP |
| 3 | 0K0971 | 1 | CB 150A 2POLE 240V 225AF |
| 4 | 0K0973 | 2 | SCREW RHM #8-32 X 2-1/2 |
| 5 | 0H6306 | 2 | LUG SLDLSS 350 MCM-6 AL/CU |
| 6 | 0G4413 | 2 | SPACER, 200 AMP TRANSFER SWITCH |
| 7 | 024334 | 2 | BOLT CARR 1/4-20 X 1 |
| 8 | 0K0130 | 2 | BUSBAR 200A TRANSFER SW N1,N2 |
| 9 | 049897 | 4 | SCREW SHC M8-1.25 X 20 G6 |
| 10 | 022129 | 4 | WASHER LOCK M8-5/16 |
| 11 | 0E3375 | 4 | LUG SLDLSS 250-#6 AL/CU |
| 12 | 0F1252 | 4 | SCREW BHSC 1/4-20 X 3/8 |
| 13 | 0E6033 | 4 | 90 DEGREE DN SPADE CONNECTOR |
| 14 | 0E6034 | 1 | STRAIGHT SPADE CONNECTOR |
| 15 | 0J8202 | 1 | LUG SLDLSS 2/0-#14X#10-32X.125 |
| 16 | 0K1081 | 1 | WIRE NEUTRAL/GND CONNECTION |
| 17 | 0K0108A | 1 | ASSY-NEUT BLK 200A W/TAP |
| 18 | 090388 | 2 | SCREW HHTT M6-1.0 X 12 ZINC |
| 19 | 0K01170ALOR | 1 | ENCLOSURE 200A SE XFRSW RAW |
| 20 | 0K01180ALOR | 1 | COVER, 200A SE XFRSW RAW |
| 21 | 0K0119 | 1 | SUBPLATE, 200A SE XFER SW |
| 22 | 0K01310ALOR | 1 | COVER INSIDE 200A SE XFER SW RAW |
| 23 | 0K0132 | 1 | CB RISER BRACKET 200A GENERAC |
| 24 | 0K1736B | 1 | DECAL, XFER SW SE 150A 120/240 |
| 25 | 0L3484 | 1 | DECAL WARN MANUAL OPER HANDLE |
| 26 | 0G9651A | 1 | DECALS, SERVICE ENTRANCE |
| 27 | 0G9651B | 1 | DECALS, SERVICE ENTRANCE |
| 28 | 0G9651C | 1 | DECALS, SERVICE ENTRANCE |
| 29 | 0F2659 | 2 | SCREW HHTT M3-0.5 X 6 BP |
| 30 | 0K1018 | 1 | DECAL, NEUTRAL CONNECTION |
| 31 | 0D3587 | 1 | DECAL, FUSE REPLACEMENT |
| 32 | 026902 | 1 | SCREW HHTT #8-32 X 1/4 CZ |
| 33 | 0K1738 | 1 | DECAL TEST SEQUENCE 100-200A SE |
| 34 | 0G3274 | 1 | DECAL LIVE CIRCUIT ENG/FRN/SPN |
| 35 | 0G3259 | 1 | DECAL TERMINAL SHOCK HZD BI |
| 36 | 0K1098 | 1 | DECAL RTS TRANSFER SW GENERAC |
| 37 | 0H6389 | 1 | DECAL UTILITY LOAD SENSE 240V |
| 38 | 0H7917 | 1 | DECAL CUSTOMER CONN RTS |
| 39 | 0A1495 | 8 | SCREW HHTT M4-0.7 X 10 BP |
| 40 | 026850 | 2 | WASHER LOCK EXT 1/4 STL |
| 41 | 0E7213 | 1 | SCREW THUMB 1/4-20 X1/2 W/SHLD |
| 42 | 085889 | 1 | NUT HEX 1/4-20 SS |
| 43 | 0G8411 | 8 | NUT HEX FL WHIZ 1/4-20 |
| 44 | 022473 | 4 | WASHER FLAT 1/4-M6 ZINC |
| 45 | 022097 | 4 | WASHER LOCK M6-1/4 |
| 46 | 0E6193 | 1 | BRACKET, ARM EXTENDER |
| 47 | 0D6162 | 2 | RIVET POP .156 X .362 AL |
| 48 | 0E6155 | 1 | PIN ARM EXTENDER |
| 49 | 0K0103 | 1 | RELAY PNL 12VDC DPDT 10A@240VA |
| 50 | 0D2572 | 1 | FUSEBLOCK 30A 600V 3POS W/SQ |
| 51 | 073590A | 3 | FUSE 5A X BUSS |
| 52 | 0D7393T | 1 | TERM BLOCK 3P UL 12-20AWG |
| 53 | 0L3068 | 2 | SCREW HHTT M3-0.5 X 25 ZP |
| 54 | 0H7190 | 1 | BRACKET LOAD SHED 200A RTS |
| 55 | 0L3123 | 1 | ASSY SMART AC MOD |
| 56 | 0H7270 | 1 | CHANNEL SNAPTRACK 76.2 X 101.2 |
| 57 | 0H7274 | 1 | DECAL NEC COMPLIANCE |
| 58 | 0K8414 | 1 | CB TERMINAL COVER 2 POLE 240V |
| 59 | 0K8628 | 2 | SCREW PFH 4-24 X 5/16 TCS |
| 60 | 064761 | 4 | TIE WRAP UL 5.6 X .10 NATL |
| 61 | 0L3247 | 1 | HARNES 200A SE SACM |

--SERIAL NUMBER AND FRONT DECAL PER MODEL
--SUPPLIED WITH HARNESS ITEM #61

| PART NUMBER | DESCRIPTION | ITEM # 24 | ITEM # 36 |
|-------------|----------------------------------|-----------|-----------|
| 0L3216 | ASSEMBLY 150A SERVICE ENTR GEN | 0K1736B | PER MODEL |
| 0L3216A | EXPLODED VIEW DRAWING | N/A | N/A |
| 0L3216B | ASSEMBLY 150A SERVICE ENTR GEN | 0K1736B | 0K1098 |
| 0L3216C | ASSEMBLY 150A SERVICE ENTR HNYWL | CJ3804B | 0K1274 |

REFERENCE DRAWINGS
0L3242 SCHEMATIC/WIRING DIAGRAMS
0K1846 CARTON 305 X 142 X 7
0H7275 TEST PROC HSB XFRSW
0K0120 KIT, ENCL 200A SE AL GENERAC

| GENERAL TOLERANCES UNLESS NOTED | |
|--|------------------------|
| ALL XX : ± 0.4 MM | THIRD ANGLE PROJECTION |
| XXX : ± 0.4 MM | |
| XXX : ± 0.5 MM | |
| ALL DIM : ± .1 | |
| INTERPRET DIM AND TOL PER ASME Y14.5M-1994 | |

GENERAC

TITLE: ASSEMBLY 150A SERVICE ENTRANCE GENERAC CB

ISSUE DATE: _____

SIZE: D CAGE NO: N/A DWG NO: 0L3216\$ REV: B

SCALE: 0.300 WT-KG 306457478.68 SHEET 1 of 1

GENERAL ASSEMBLY DRAWING

DRAWING CREATED FROM PRO/ENGINEER 3D FILE. ECO MODIFICATION TO BE APPLIED TO SOLID MODEL ONLY.

D

D

C

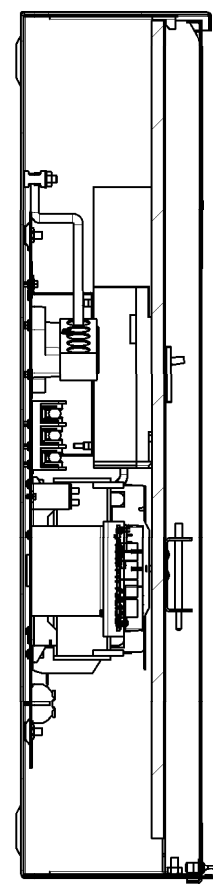
C

B

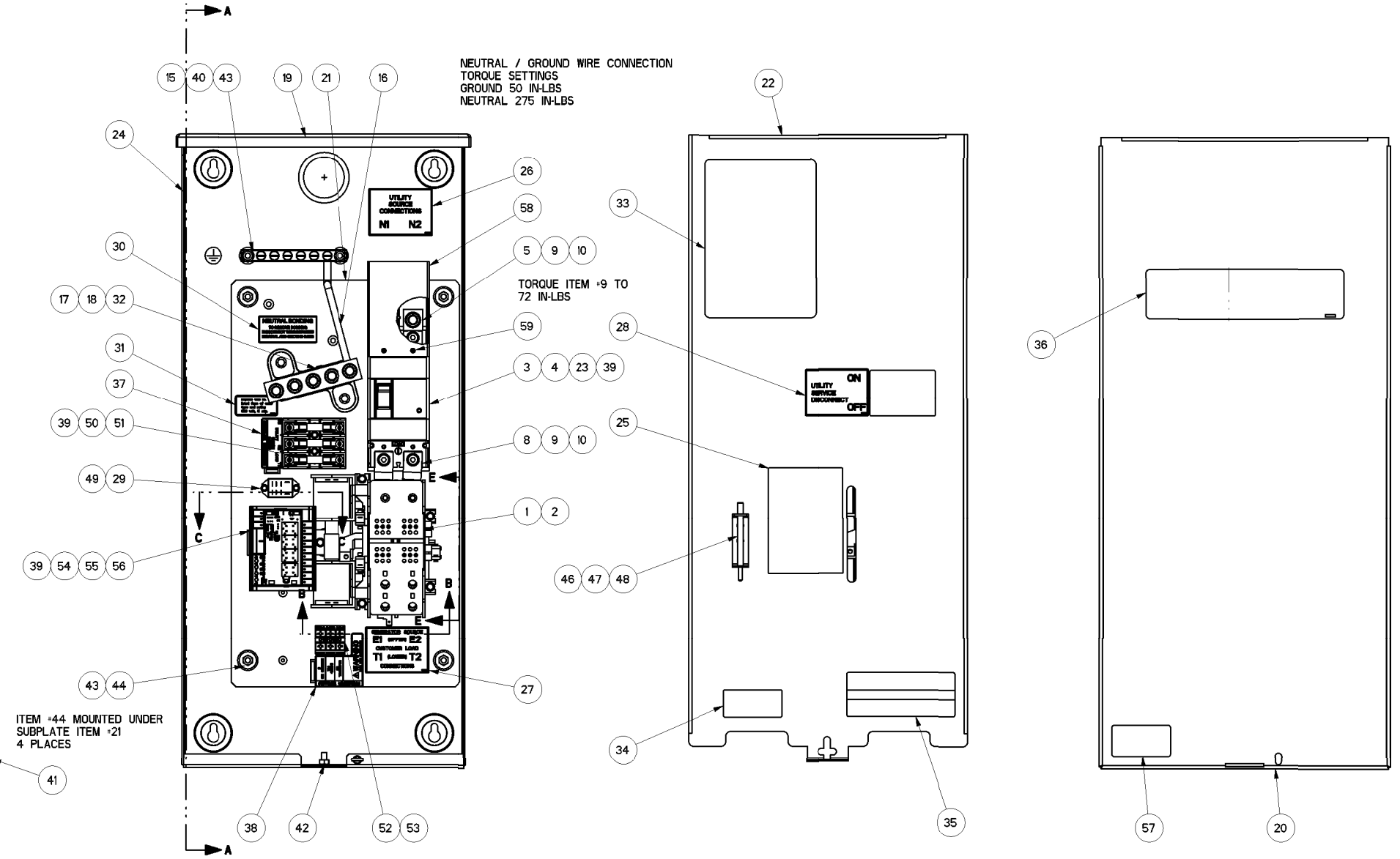
B

A

A



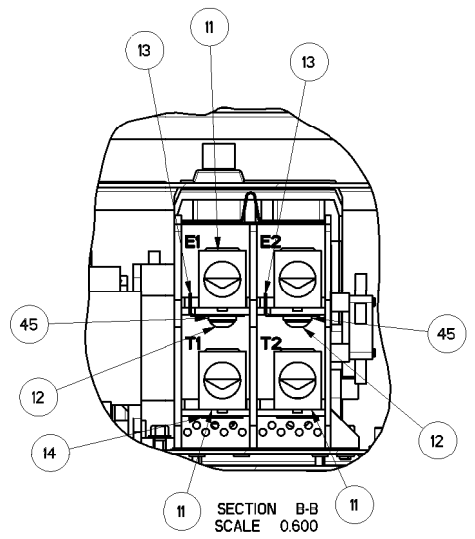
SECTION A-A



NEUTRAL / GROUND WIRE CONNECTION
TORQUE SETTINGS
GROUND 50 IN-LBS
NEUTRAL 275 IN-LBS

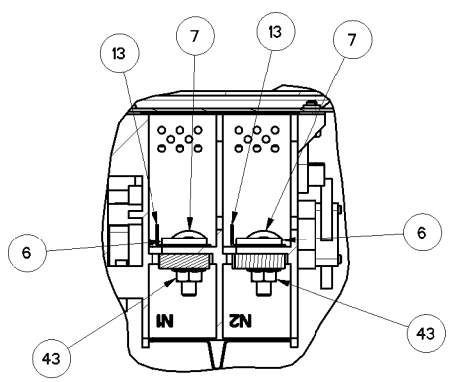
TORQUE ITEM #9 TO
72 IN-LBS

ITEM #44 MOUNTED UNDER
SUBPLATE ITEM #21
4 PLACES



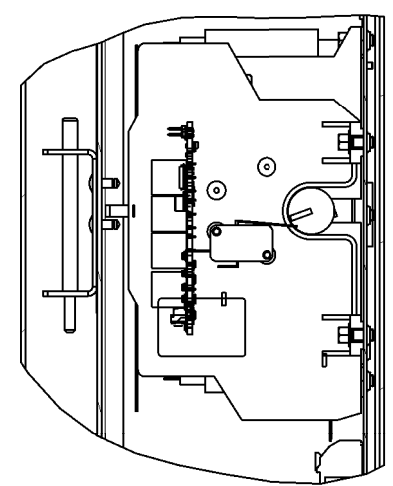
SECTION B-B
SCALE 0.600

TORQUE ITEM 12
TO 72 IN-LBS



SECTION C-C
SCALE 0.600

TORQUE ITEM 7 AND 43
TO 72 IN-LBS



SECTION E-E
SCALE 0.600

| ITEM # | PART # | QTY | DESCRIPTION |
|--------|-------------|-----|----------------------------------|
| 1 | 0L2911 | 1 | XFRSW HSB 200A 2P 250V |
| 2 | 074908 | 5 | SCREW HHTT M5-0.8 X 10 BP |
| 3 | 0K0133 | 1 | CB 200A 2POLE 240V 225AF |
| 4 | 0K0973 | 2 | SCREW RHM #8-32 X 2-1/2 |
| 5 | 0H6306 | 2 | LUG SLDLSS 350 MCM-6 AL/CU |
| 6 | 0G4413 | 2 | SPACER, 200 AMP TRANSFER SWITCH |
| 7 | 024334 | 2 | BOLT CARR 1/4-20 X 1 |
| 8 | 0K0130 | 2 | BUSBAR 200A TRANSFER SW N1,N2 |
| 9 | 049897 | 4 | SCREW SHC M8-1.25 X 20 G6 |
| 10 | 022129 | 4 | WASHER LOCK M8-5/16 |
| 11 | 0E3375 | 4 | LUG SLDLSS 250-#6 AL/CU |
| 12 | 0F1252 | 4 | SCREW BHSC 1/4-20 X 3/8 |
| 13 | 0E6033 | 4 | 90 DEGREE DN SPADE CONNECTOR |
| 14 | 0E6034 | 1 | STRAIGHT SPADE CONNECTOR |
| 15 | 0J8202 | 1 | LUG SLDLSS 2/0-#14X#10-32X.125 |
| 16 | 0K1081 | 1 | WIRE NEUTRAL/GND CONNECTION |
| 17 | 0K0108A | 1 | ASSY-NEUT BLK 200A W/TAP |
| 18 | 090388 | 2 | SCREW HHTT M6-1.0 X 12 ZINC |
| 19 | 0K01170ALOR | 1 | ENCLOSURE 200A SE XFRSW RAW |
| 20 | 0K01180ALOR | 1 | COVER, 200A SE XFRSW RAW |
| 21 | 0K0119 | 1 | SUBPLATE, 200A SE XFER SW |
| 22 | 0K01310ALOR | 1 | COVER INSIDE 200A SE XFER SW RAW |
| 23 | 0K0132 | 1 | CB RISER BRACKET 200A GENERAC |
| 24 | 0K1736C | 1 | DECAL, XFER SW SE 200A 120/240 |
| 25 | 0L3484 | 1 | DECAL WARN MANUAL OPER HANDLE |
| 26 | 0G9651A | 1 | DECALS, SERVICE ENTRANCE |
| 27 | 0G9651B | 1 | DECALS, SERVICE ENTRANCE |
| 28 | 0G9651C | 1 | DECALS, SERVICE ENTRANCE |
| 29 | 0F2659 | 2 | SCREW HHTT M3-0.5 X 6 BP |
| 30 | 0K1018 | 1 | DECAL, NEUTRAL CONNECTION |
| 31 | 0D3587 | 1 | DECAL, FUSE REPLACEMENT |
| 32 | 026902 | 1 | SCREW HHTT #8-32 X 1/4 CZ |
| 33 | 0K1738 | 1 | DECAL TEST SEQUENCE 100-200A SE |
| 34 | 0G3274 | 1 | DECAL LIVE CIRCUIT ENG/FRN/SPN |
| 35 | 0G3259 | 1 | DECAL TERMINAL SHOCK HZD BI |
| 36 | 0K1098 | 1 | DECAL RTS TRANSFER SW GENERAC |
| 37 | 0H6389 | 1 | DECAL UTILITY LOAD SENSE 240V |
| 38 | 0H7917 | 1 | DECAL CUSTOMER CONN RTS |
| 39 | 0A1495 | 8 | SCREW HHTT M4-0.7 X 10 BP |
| 40 | 026850 | 2 | WASHER LOCK EXT 1/4 STL |
| 41 | 0E7213 | 1 | SCREW THUMB 1/4-20 X1/2 W/SHLD |
| 42 | 085889 | 1 | NUT HEX 1/4-20 SS |
| 43 | 0G8411 | 8 | NUT HEX FL WHIZ 1/4-20 |
| 44 | 022473 | 4 | WASHER FLAT 1/4-M6 ZINC |
| 45 | 022097 | 4 | WASHER LOCK M6-1/4 |
| 46 | 0E6193 | 1 | BRACKET, ARM EXTENDER |
| 47 | 0D6162 | 2 | RIVET POP .156 X .362 AL |
| 48 | 0E6155 | 1 | PIN ARM EXTENDER |
| 49 | 0K0103 | 1 | RELAY PNL 12VDC DPDT 10A@240VA |
| 50 | 0D2572 | 1 | FUSEBLOCK 30A 600V 3POS W/SQ |
| 51 | 073590A | 3 | FUSE 5A X BUSS |
| 52 | 0D7393T | 1 | TERM BLOCK 3P UL 12-20AWG |
| 53 | 0L3068 | 2 | SCREW HHTT M3-0.5 X 25 ZP |
| 54 | 0H7190 | 1 | BRACKET LOAD SHED 200A RTS |
| 55 | 0L3123 | 1 | ASSY SMART AC MOD |
| 56 | 0H7270 | 1 | CHANNEL SNAPTRACK 76.2 X 101.2 |
| 57 | 0H7274 | 1 | DECAL NEC COMPLIANCE |
| 58 | 0K8414 | 1 | CB TERMINAL COVER 2 POLE 240V |
| 59 | 0K8628 | 2 | SCREW PFH 4-24 X 5/16 TCS |
| 60 | 064761 | 4 | TIE WRAP UL 5.6 X .10 NATL |
| 61 | 0L3247 | 1 | HARNESS 200A SE SACM |

--SERIAL NUMBER AND FRONT DECAL PER MODEL
--SUPPLIED WITH HARNESS ITEM #61

| PART NUMBER | DESCRIPTION | ITEM # 24 | ITEM # 36 |
|-------------|----------------------------------|-----------|-----------|
| 0L3217 | ASSEMBLY 200A SERVICE ENTR GEN | 0K1736C | PER MODEL |
| 0L3217A | EXPLODED VIEW DRAWING | N/A | N/A |
| 0L3217B | ASSEMBLY 200A SERVICE ENTR GEN | 0K1736C | 0K1098 |
| 0L3217C | ASSEMBLY 200A SERVICE ENTR HNYWL | 0J3804C | 0K1274 |
| 0L3217D | ASSEMBLY 200A SERVICE ENTR HNYWL | 0J3804C | 0K1274 |

REFERENCE DRAWINGS
0L3242 SCHEMATIC/WIRING DIAGRAMS
0K1846 CARTON 305 X 142 X 7
0H7275 TEST PROC HSB XFRSW
0K0120 KIT, ENCL 200A SE AL GENERAC

| GENERAL TOLERANCES UNLESS NOTED | | THIRD ANGLE PROJECTION |
|--|----------|------------------------|
| ALL XX | ± 0.4 MM | |
| XXX | ± 0.4 MM | |
| ALL XXX | ± 0.5 MM | |
| ALL XXX | ± 1 | |
| INTERPRET DIM AND TOL PER ASME Y14.5M-1994 | | |

GENERAC

TITLE
ASSEMBLY 200A SERVICE ENTRANCE GENERAC CB

| ISSUE DATE: | SIZE | CAGE NO | DWG NO | REV |
|-------------|-------------|---------|---------------------------------|-----|
| | D | N/A | 0L3217\$ | C |
| | SCALE 0.300 | | WT-KG 306457478.68 SHEET 1 of 1 | |

GENERAL ASSEMBLY DRAWING

DRAWING CREATED FROM PRO/ENGINEER 3D FILE. ECO MODIFICATION TO BE APPLIED TO SOLID MODEL ONLY.

| ITEM # | PART # | QTY | DESCRIPTION |
|--------|-------------|-----|-----------------------------------|
| 1 | 0L2911 | 1 | XFRSW HSB 200A 2P 250V |
| 2 | 074908 | 5 | SCREW HHTT M5-0.8 X 10 BP |
| 3 | 0E3628 | 1 | CB 0200A 2P 240V S QN2 LL |
| 4 | 0E3664 | 1 | BASE, ON CIRCUIT BREAKER |
| 5 | 036918 | 2 | SCREW PPHM #8-32 X 1/2 |
| 6 | 0G9299 | 2 | WIRE 3/0 NI,N2 |
| 7 | 0E3375 | 6 | LUG SLDLSS 250-#6 AL/CU |
| 8 | 0F1252 | 6 | SCREW BHSC 1/4-20 X 3/8 |
| 9 | G022097 | 6 | WASHER LOCK M6-1/4 |
| 10 | 0E6033 | 4 | 90 DEGREE DN SPADE CONNECTOR |
| 11 | 0E6034 | 1 | STRAIGHT SPADE CONNECTOR |
| 12 | 0J8202 | 1 | LUG SLDLSS 2/0-#14X#10-32X.125 |
| 13 | 026850 | 2 | WASHER LOCK EXT 1/4 STL |
| 14 | 0G8411 | 6 | NUT HEX FL WHIZ 1/4-20 |
| 15 | 0K1914 | 1 | WIRE NEUTRAL CONNECTION SIE |
| 16 | 0K0108A | 1 | ASSY-NEUT BLK 200A W/TAP |
| 17 | 090388 | 2 | SCREW HHTT M6-1.0 X 12 ZINC |
| 18 | 0K01170ALDR | 1 | ENCLOSURE 200A SE XFRSW RAW |
| 19 | 0K01180ALDR | 1 | COVER, 200A SE XFRSW RAW |
| 20 | 0K0119 | 1 | SUBPLATE, 200A SE XFR SW |
| 21 | 0G93000ALDR | 1 | CB RISER BRACKET 200A GENERAC RAW |
| 22 | 0G97730ALDR | 1 | COVER INSIDE 200A SE SIE RAW |
| 23 | 022473 | 4 | WASHER FLAT 1/4-M6 ZINC |
| 24 | 085889 | 1 | NUT HEX 1/4-20 SS |
| 25 | 0D2572 | 1 | FUSLBLOCK 30A 600V 3POS W/SQ |
| 26 | 073590A | 3 | FUSE 5A X BUSS |
| 27 | 0A1495 | 7 | SCREW HHTT M4-0.7 X 10 BP |
| 28 | 0K0103 | 1 | RELAY PNL 12VDC DPDT 10A@240VA |
| 29 | 0F2659 | 2 | SCREW HHTT M3-0.5 X 6 BP |
| 30 | 0D7393T | 1 | TERM BLOCK 3P UL 12-20AWG |
| 31 | 0L3068 | 2 | SCREW THTT M3-0.5 X 25 ZP |
| 32 | 0D3587 | 1 | DECAL, FUSE REPLACEMENT |
| 33 | 0E3484 | 1 | DECAL WARN MANUAL OPER HANDLE |
| 34 | 0G3259 | 1 | DECAL TERMINAL SHOCK HZD BI |
| 35 | 0G3274 | 1 | DECAL LIVE CIRCUIT ENG/FRN/SPN |
| 36 | 026902 | 1 | SCREW HHTT #8-32 X 1/4 CZ |
| 37 | 0H1765A | 1 | DECAL UTILITY SOURCE CONNECTION |
| 38 | 0H1765B | 1 | DECAL GENERATOR/CUSTOMER CONN |
| 39 | 0H1765C | 1 | DECAL UTILITY DISCONNECT |
| 40 | 0H6389 | 1 | DECAL UTILITY LOAD SENSE 240V |
| 41 | 0H7917 | 1 | DECAL CUSTOMER CONN RTS |
| 42 | 0H7190 | 1 | BRACKET LOAD SHED 200A RTS |
| 43 | 0K1018 | 1 | DECAL, NEUTRAL CONNECTION |
| 44 | 0K1272 | 1 | DECAL TRANSFER SW SIEMENS |
| 45 | 0K1736C | 1 | DECAL, XFER SW SE 200A 120/240 |
| 46 | 0K1738 | 1 | DECAL TEST SEQUENCE 100-200A SE |
| 47 | 0E6155 | 1 | PIN ARM EXTENDER |
| 48 | 0E6193 | 1 | BRACKET, ARM EXTENDER |
| 49 | 0D6162 | 2 | RIVET POP .156 X .362 AL |
| 50 | 0H7270 | 1 | CHANNEL SNAPTRACK 76.2 X 101.2 |
| 51 | 0H7274 | 1 | DECAL NEC COMPLIANCE |
| 52 | 0L3123 | 1 | ASSY SMART AC MOD |
| 53 | 0L6699 | 1 | NUT TRIC 1/4-20 ALUM |
| 54 | 064761 | 4 | TIE WRAP UL 5.6 X .10 NATL |
| 55 | 0L3247 | 1 | HARNES 200A SE SACM |
| 56 | 0L6700 | 1 | SCREW THUMB 1/4-20 X 1/2 KNURL |

-SUPPLIED WITH HARNESS ITEM #55

| PART NUMBER | DESCRIPTION |
|-------------|---------------------------------|
| 0L321B | ASSEMBLY 200A SERVICE ENTR SIEM |
| 0L3218A | EXPLODED VIEW DRAWING |

REFERENCE DRAWINGS
 0L3242 SCHEMATIC/WIRING DIAGRAMS
 0K1846 CARTON 30"5 X 14"2 X 7"8
 0H7275 TEST PROC HSB XFRSW
 0K0121 KIT, ENCL 200A SE AL SIEMENS

| GENERAL TOLERANCES UNLESS NOTED | | THIRD ANGLE PROJECTION |
|--|----------|------------------------|
| ALL XX | = 0.4 MM | |
| XXX | = 0.4 MM | |
| XXXX | = 0.8 MM | |
| ALL ANG | = 0.5 | |
| INTERPRET DIM AND TOL PER ASME Y14.5M-1994 | | |

GENERAC

TITLE
ASSEMBLY 200A SERVICE ENTRANCE SIEMENS CB

| ISSUE DATE: | SIZE | CAGE NO | DWG NO | REV |
|-------------|------|---------|----------|--------------------------------|
| | D | N/A | 0L3218\$ | D |
| SCALE 0.300 | | | | WT-KG 22428741.55 SHEET 1 of 1 |

GENERAL ASSEMBLY DRAWING

DRAWING CREATED FROM PRO/ENGINEER 3D FILE. ECO MODIFICATION TO BE APPLIED TO SOLID MODEL ONLY.

