

TORQUE ITEM #4 TO 24-30 IN-LBS

WIRE TIGHTENING TORQUE 50 IN-LBS

NEUTRAL / GROUND WIRE CONNECTION TORQUE SETTINGS GROUND / NEUTRAL 50IN-LBS

ITEM #44 ONE MOUNTED UNDER SUBPLATE ITEM #24 4 PLACES

SECTION A-A SCALE 0.600

SECTION B-B SCALE 0.600

CENTER DECAL APPROXIMATELY 6-1/4" DOWN FROM TOP OF COVER USING ASSEMBLY TEMPLATE

---SERIAL NUMBER AND FRONT DECAL PER MODEL  
 ---SUPPLIED WITH HARNESS ITEM #50  
 ---SUPPLIED WITH TRANSFER SWITCH

SH	I/I	REV	B	ITEM #	PART #	QTY	DESCRIPTION
				1	0C2237	1	XFRSW HSB 100A 2P 250V
				2	074908	6	SCREW HHTT M5-0.8 X 10 BP
				3	077033	6	LUG SLDLSS 1/0-#14X9/16 AL/CU
				4	0G7624	6	SCREW PPHM #10-32 X 5/16
				5	022152	6	WASHER LOCK #10
				6	074138	1	LUG DIS QK N1-S 10X45 DEG BR/T
				7	0E7886H	1	CB 0100A 2P 240V S BQ2 LB
				8	0E7890	1	BRKT CB MTG BACK
				9	0G5780A	1	ASSY WIRE 2AWG 5.375" #N1A BLK
				10	0G5780B	1	ASSY WIRE 2AWG 6.875" #N2A BLK
				11	0A1495	8	SCREW HHTT M4-0.7 X 10 BP
				12	0K1167	1	WIRE NEUTRAL TO GROUND CONNECTION
**				13	0K0103	1	RELAY PNL 12VDC DPDT 10A@240VA
**				14	0D2572	1	FUSEBLOCK 30A 600V 3POS W/SQ
**				15	073590A	3	FUSE 5A X BUSS
**				16	0D7393T	1	TERM BLOCK 3P UL 12-20AWG
				17	0F2659	2	SCREW HHTT M3-0.5 X 6 BP
				18	0K0124	2	SCREW PHTT M3-0.5 X 25
				19	0K0108	1	ASSY-NEUT BLK 100A
				20	090388	2	SCREW HHTT M6-1.0 X 12 ZINC
				21	026902	1	SCREW HHTT #8-32 X 1/4 CZ
				22	0K01120ALOR	1	ENCLOSURE 100/200A XFER SW_RAW
				23	0K01130ALOR	1	COVER 100A XFER SWITCH_INST_RAW
				24	0K0114	1	SUBPLATE, 100/200A XFER SW
				25	0K11120ALOR	1	COVER INSIDE 100A SE GRAY_RAW
				26	0K1119	1	RISER 100A SERV ENT
*				27	0K1098	1	DECAL RTS TRANSFER SW GENERAC
*				28	0K1736A	1	DECAL, XFER SW SE 100A 120/240
				29	0E3484	1	DECAL WARN MANUAL OPER HANDLE
				30	0F9969	1	DECAL UTILITY DISCONNECT
				31	0K1018	1	DECAL, NEUTRAL CONNECTION
				32	0K1738	1	DECAL TEST SEQUENCE 100-200A SE
				33	0H7917	1	DECAL CUSTOMER CONN RTS
				34	0D3587	1	DECAL, FUSE REPLACEMENT
				35	0G3259	1	DECAL TERMINAL SHOCK HZD BI
				36	0G3274	1	DECAL LIVE CIRCUIT ENG/FRN/SPN
				37	0H6389	1	DECAL UTILITY LOAD SENSE 240V
				38	0H7274	1	DECAL NEC COMPLIANCE
				39	0E7213	1	SCREW THUMB 1/4-20 X1/2 W/SHLD
				40	0J8202	1	LUG SLDLSS 2/0-#14X#10-32X.125
				41	026850	2	WASHER LOCK EXT 1/4 STL
				42	0G8411	6	NUT HEX FL WHIZ 1/4-20
				43	085889	1	NUT HEX 1/4-20 SS
				44	022473	4	WASHER FLAT 1/4-M6 ZINC
				45	0E6193	1	BRACKET, ARM EXTENDER
				46	0D6162	2	RIVET POP .156 X .362 AL
***				47	0E6155	1	PIN ARM EXTENDER
				48	0H7270	1	CHANNEL SNAPTRACK 76.2 X 101.2
				49	0K0220A	1	ASSY LOAD MANAGEMENT CONTROLLER PROGRAMMED
				50	0K0122	1	WIRING HARNESS HSB (NOT SHOWN)
				51	0E6303	1	WIRE-A
				52	0E6303C	1	WIRE-EI
				53	058000E	1	NUT TRIC 1/4-20 X .525

PART NUMBER	DESCRIPTION	ITEM # 28	ITEM # 27
OK0164	ASSEMBLY 100A 120/240 SE	OK1736B	PER MODEL
OK0164A	EXPLODED VIEW DRAWING	N/A	N/A
OK0164B	ASSEMBLY 200A 120/240 SE	OJ3804A	OK1098
OK0164C	ASSEMBLY 200A 120/240 SE	OJ3804A	OK1274

**REFERENCE DRAWINGS**  
 OK0135 SCHEMATIC/WIRING DIAGRAMS  
 0F6778 CARTON 305 X 142 X 78  
 0H7275 TEST PROC HSB XFRSW  
 OK0116 KIT ENCL 100 SE AL

GENERAL TOLERANCES UNLESS NOTED		THIRD ANGLE PROJECTION	
ALL XX	± 0.4 MM		
XXX	± 0.4 MM		
XXXX	± 0.5 MM		
ALL ANG	± 1°		
INTERPRET DIM AND TOL	PER ASME Y14.5M-1994		
POSITION	ANGULARITY		
PROFILE OF A SURFACE	CIRCULAR RUNOUT		
FLATNESS	PARALLELISM		

**GENERAC**

APPROVALS: MJB 8/8/12  
 JJJ 12/3/12  
 CL 1/9/13  
 GDW 12/4/12

DATE: 8/8/12

TITLE: ASSEMBLY DWG 2-POLE 100A 120/240V SE

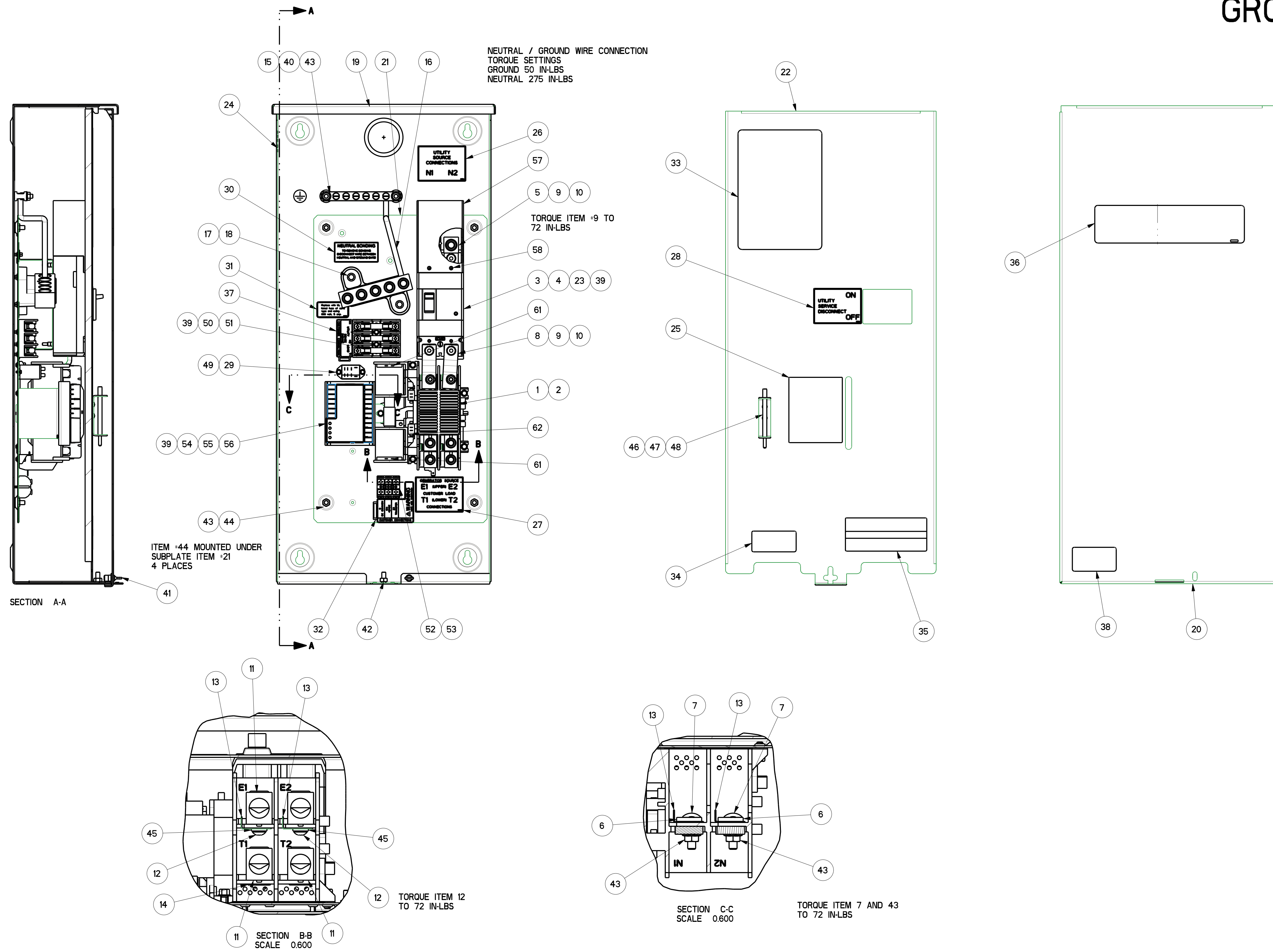
MATERIAL: GENERAC MATL PAINT SPECIFICATION SURFACE FINISH

SIZE: D CAGE NO: N/A DWG NO: OK0164\$ REV: B

SCALE: 0.400 WT: 8Q490605.00 SHEET 1 of 1

8/12	-A-	RELEASED FOR PRODUCTION
4/15/14	J-B416-B	REMOVED ITEM #2 0C2280 DECAL TRANSFER SWITCH ID 100A AND RENUMBERED

DRAWING CREATED FROM PROVISIONAL 3D FILE. ECO MODIFICATION TO BE APPLIED TO 30A10 MODEL ONLY.



## EXPLODED VIEW: ASSEMBLY 150A SERVICE ENTR GEN

DRAWING #: 0K0165A

GROUP C

ITEM	PART#	QTY.	DESCRIPTION
1	0D9618	1	XFRSW HSB 200A 2P 250V
2	074908	5	SCREW HHTT M5-0.8 X 10 BP
3	0K0971	1	CB 150A 2POLE 240V 225AF
4	0K0973	2	SCREW RHM #8-32 X 2-1/2
5	0H6306	2	LUG SLDLSS 350 MCM-6 AL/CU
6	0G4413	2	SPACER,200 AMP TRANSFER SWITCH
7	024334	2	BOLT CARR 1/4-20 X 1
8	0K0130	2	BUSBAR 200A TRANSFER SW N1,N2
9	049897	4	SCREW SHC M8-1.25 X 20 G8
10	022129	4	WASHER LOCK M8-5/16
11	0E3375	4	LUG SLDLSS 250-#6 AL/CU
12	0F1252	4	SCREW BHSC 1/4-20 X 3/8
13	0E6033	4	90 DEGREE DN SPADE CONNECTOR
14	0E6034	1	STRAIGHT SPADE CONNECTOR
15	0J8202	1	LUG SLDLSS 2/0-#14X#10-32X.125
16	0K1081	1	WIRE NEUTRAL/GND CONNECTION
17	0K0108A	1	ASSY-NEUT BLK 200A W/TAP
18	090388	2	SCREW HHTT M6-1.0 X 12 ZINC
19	0K01170AL0R	1	ENCLOSURE 200A SE XFRSW RAW
20	0K01180AL0R	1	COVER,200A SE XFRSW RAW
21	0K0119	1	SUBPLATE,200A SE XFER SW
22	0K01310AL0R	1	COVER INSIDE 200A SE XFER SW RAW
23	0K0132	1	CB RISER BRACKET 200A GENERAC
(1)24	0K1736B	1	DECAL,XFER SW SE 150A 120/240
25	0E3484	1	DECAL WARN MANUAL OPER HANDLE
26	0G9651A	1	DECALS, SERVICE ENTRANCE
27	0G9651B	1	DECALS, SERVICE ENTRANCE
28	0G9651C	1	DECALS, SERVICE ENTRANCE
29	0F2659	2	SCREW HHTT M3-0.5 X 6 BP
30	0K1018	1	DECAL, NEUTRAL CONNECTION
31	0D3587	1	DECAL, FUSE REPLACEMENT
32	0H7917	1	DECAL CUSTOMER CONN RTS
33	0K1738	1	DECAL TEST SEQUENCE 100-200A SE
34	0G3274	1	DECAL LIVE CIRCUIT ENG/FRN/SPN
35	0G3259	1	DECAL TERMINAL SHOCK HZD BI
(1)36	0K1098	1	DECAL RTS TRANSFER SW GENERAC
37	0H6389	1	DECAL UTILITY LOAD SENSE 240V
38	0H7274	1	DECAL 2008 NEC COMPLIANCE
39	0A1495	8	SCREW HHTT M4-0.7 X 10 BP
40	026850	2	WASHER LOCK EXT 1/4 STL
41	0E7213	1	SCREW THUMB 1/4-20 X1/2 W/SHLD
42	085889	1	NUT HEX 1/4-20 SS
43	0G8411	8	NUT HEX FL WHIZ 1/4-20
44	022473	4	WASHER FLAT 1/4-M6 ZINC
45	022097	4	WASHER LOCK M6-1/4
46	0E6193	1	BRACKET, ARM EXTENDER
47	0D6162	2	RIVET POP .156 X .362 AL
48	0E6155	1	PIN ARM EXTENDER
(2)49	0K0103	1	RELAY PNL 12VDC DPDT 10A@240VA
(2)50	0D2572	1	FUSEBLOCK 30A 600V 3POS W/SQ
51	073590A	3	FUSE 5A X BUSS
(2)52	0D7393T	1	TERM BLOCK 3P UL 12-20AWG
53	0K0124	2	SCREW PHTT M3-0.5 X 25
54	0H7190	1	BRACKET LOAD SHED 200A RTS
55	0H7270	1	CHANNEL SNAPTRACK 76.2 X 101.2
56	0K0220A	1	ASSY LOAD MANAGEMENT CONTROLLER PROGRAMMED
57	0K8414	1	CB TERMINAL COVER 2 POLE 240V
58	0K8628	2	SCREW PFH 4-24 X 5/16 TCS
59	064761	4	TIE WRAP UL 5.6 X .10 NATL (NOT SHOWN)
60	0K0123	1	HARN 200A XFER SW SE 2010 (NOT SHOWN)
61	0E6303	2	WIRE A 7.0" BLUE
62	0E6303B	1	WIRE E1 3.0" BLUE

(1) SERIAL NUMBER AND FRONT DECAL PER MODEL

(2) SUPPLIED WITH HARNESS ITEM #60

ITEM #	PART #	QTY	DESCRIPTION
1	0D9618	1	XFRSW HSB 200A 2P 250V
2	074908	5	SCREW HHTT M5-0.8 X 10 BP
3	0K0133	1	CB 200A 2POLE 240V 225AF
4	0K0973	2	SCREW RHM #8-32 X 2-1/2
5	0H6306	2	LUG SLDLSS 350 MCM-6 AL/CU
6	0G4413	2	SPACER,200 AMP TRANSFER SWITCH
7	024334	2	BOLT CARR 1/4-20 X 1
8	0K0130	2	BUSBAR 200A TRANSFER SW N1,N2
9	049897	4	SCREW SHC M8-1.25 X 20 G8
10	022129	4	WASHER LOCK M8-5/16
11	0E3375	4	LUG SLDLSS 250-#6 AL/CU
12	0F1252	4	SCREW BHSC 1/4-20 X 3/8
13	0E6033	4	90 DEGREE DN SPADE CONNECTOR
14	0E6034	1	STRAIGHT SPADE CONNECTOR
15	0J8202	1	LUG SLDLSS 2/0-#14X#10-32X.125
16	0K1081	1	WIRE NEUTRAL/GND CONNECTION
17	0K0108A	1	ASSY-NEUT BLK 200A W/TAP
18	090388	2	SCREW HHTT M6-1.0 X 12 ZINC
19	0K01170AL0R	1	ENCLOSURE 200A SE XFRSW RAW
20	0K01180AL0R	1	COVER,200A SE XFRSW RAW
21	0K0119	1	SUBPLATE,200A SE XFER SW
22	0K01310AL0R	1	COVER INSIDE 200A SE XFER SW RAW
23	0K0132	1	CB RISER BRACKET 200A GENERAC
* 24	0K1736C	1	DECAL,XFER SW SE 200A 120/240
25	0E3484	1	DECAL WARN MANUAL OPER HANDLE
26	0G9651A	1	DECALS, SERVICE ENTRANCE
27	0G9651B	1	DECALS, SERVICE ENTRANCE
28	0G9651C	1	DECALS, SERVICE ENTRANCE
29	0F2659	2	SCREW HHTT M3-0.5 X 6 BP
30	0K1018	1	DECAL, NEUTRAL CONNECTION
31	0D3587	1	DECAL, FUSE REPLACEMENT
32	0H7917	1	DECAL CUSTOMER CONN RTS
33	0K1738	1	DECAL TEST SEQUENCE 100-200A SE
34	0G3274	1	DECAL LIVE CIRCUIT ENG/FRN/SPN
35	0G3259	1	DECAL TERMINAL SHOCK HZD BI
* 36	0K1098	1	DECAL RTS TRANSFER SW GENERAC
37	0H6389	1	DECAL UTILITY LOAD SENSE 240V
38	0H7274	1	DECAL NEC COMPLIANCE
39	0A1495	8	SCREW HHTT M4-0.7 X 10 BP
40	026850	2	WASHER LOCK EXT 1/4 STL
41	0E7213	1	SCREW THUMB 1/4-20 X1/2 W/SHLD
42	085889	1	NUT HEX 1/4-20 SS
43	0G8411	8	NUT HEX FL WHIZ 1/4-20
44	022473	4	WASHER FLAT 1/4-M6 ZINC
45	022097	4	WASHER LOCK M6-1/4
46	0E6193	1	BRACKET, ARM EXTENDER
47	0D6162	2	RIVET POP .156 X .362 AL
48	0E6155	1	PIN ARM EXTENDER
** 49	0K0103	1	RELAY PNL 12VDC DPDT 10A@240VA
** 50	0D2572	1	FUSEBLOCK 30A 600V 3POS W/SQ
51	073590A	3	FUSE 5A X BUSS
** 52	0D7393T	1	TERM BLOCK 3P UL 12-20AWG
53	0K0124	2	SCREW PHTT M3-0.5 X 25
54	0H7190	1	BRACKET LOAD SHED 200A RTS
55	0H7270	1	CHANNEL SNAPTRACK 76.2 X 101.2
56	0K0220A	1	ASSY LOAD MANAGEMENT CONTROLLER PROGRAMMED
57	0K8414	1	CB TERMINAL COVER 2 POLE 240V
58	0K8628	2	SCREW PFH 4-24 X 5/16 TCS
59	064761	1	TIE WRAP UL 5.6 X .10 NATL (NOT SHOWN)
60	0K0123	1	HARN 200A XFER SW SE 2010 (NOT SHOWN)
61	0E6303	2	WIRE A 7.0" BLUE
62	0E6303B	1	WIRE E1 3.0" BLUE

\*-SERIAL NUMBER AND FRONT DECAL PER MODEL  
 \*\*-SUPPLIED WITH HARNESS ITEM #60

PART NUMBER	DESCRIPTION	ITEM # 24	ITEM # 36
0K0166	ASSEMBLY 200A SERVICE ENTR GEN	0K1736C	PER MODEL
0K0166A	EXPLODED VIEW DRAWING	N/A	N/A
0K0166B	ASSEMBLY 200A SERVICE ENTR GEN	0K1736C	0K1098
0K0166C	ASSEMBLY 200A SERVICE ENTR GEN	0J3804C	0K1274
0K0166D	ASSEMBLY 200A SERVICE ENTR GEN	0J3804C	0K1274

**REFERENCE DRAWINGS**  
 0K0135 SCHEMATIC WIRING DIAGRAMS  
 0K1846 CARTON 30.5 X 14.2 X 7  
 0H7275 TEST PROC HSB XFRSW  
 0K0120 KIT, ENCL 200A SE AL GENERAC

GENERAL TOLERANCES UNLESS NOTED		THIRD ANGLE PROJECTION	
ALL XX = ± 0.4 MM	XXX = ± 0.4 MM		
ALL ANG = ± 1°	XXXXX = ± 0.15 MM		
INTERPRET DIM AND TOL PER ASME Y14.5M-1994			

**GENERAC**

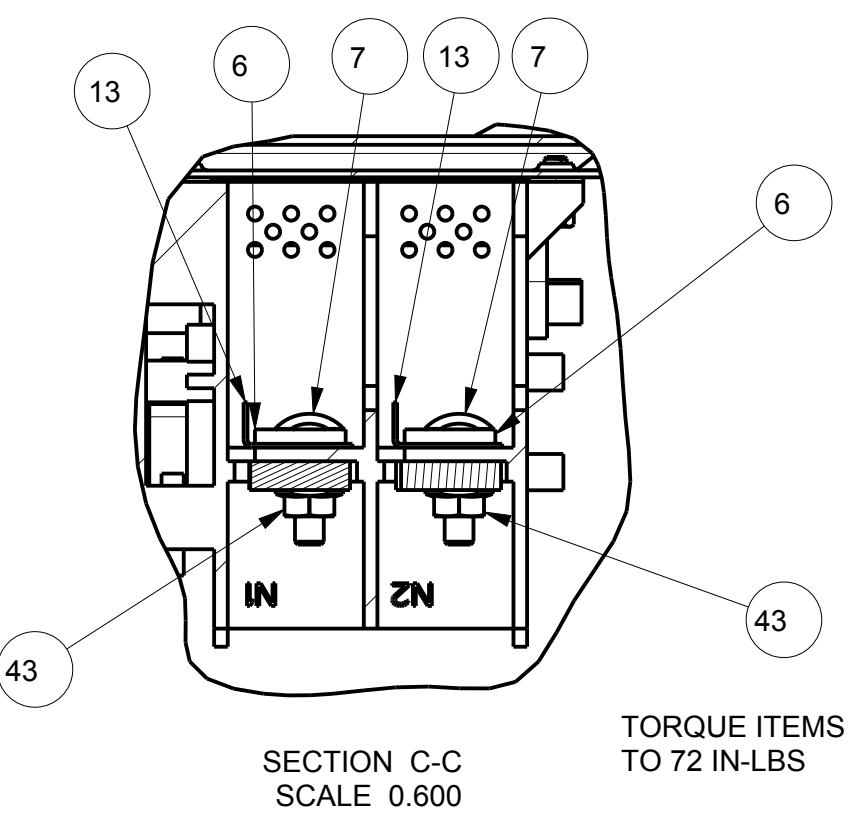
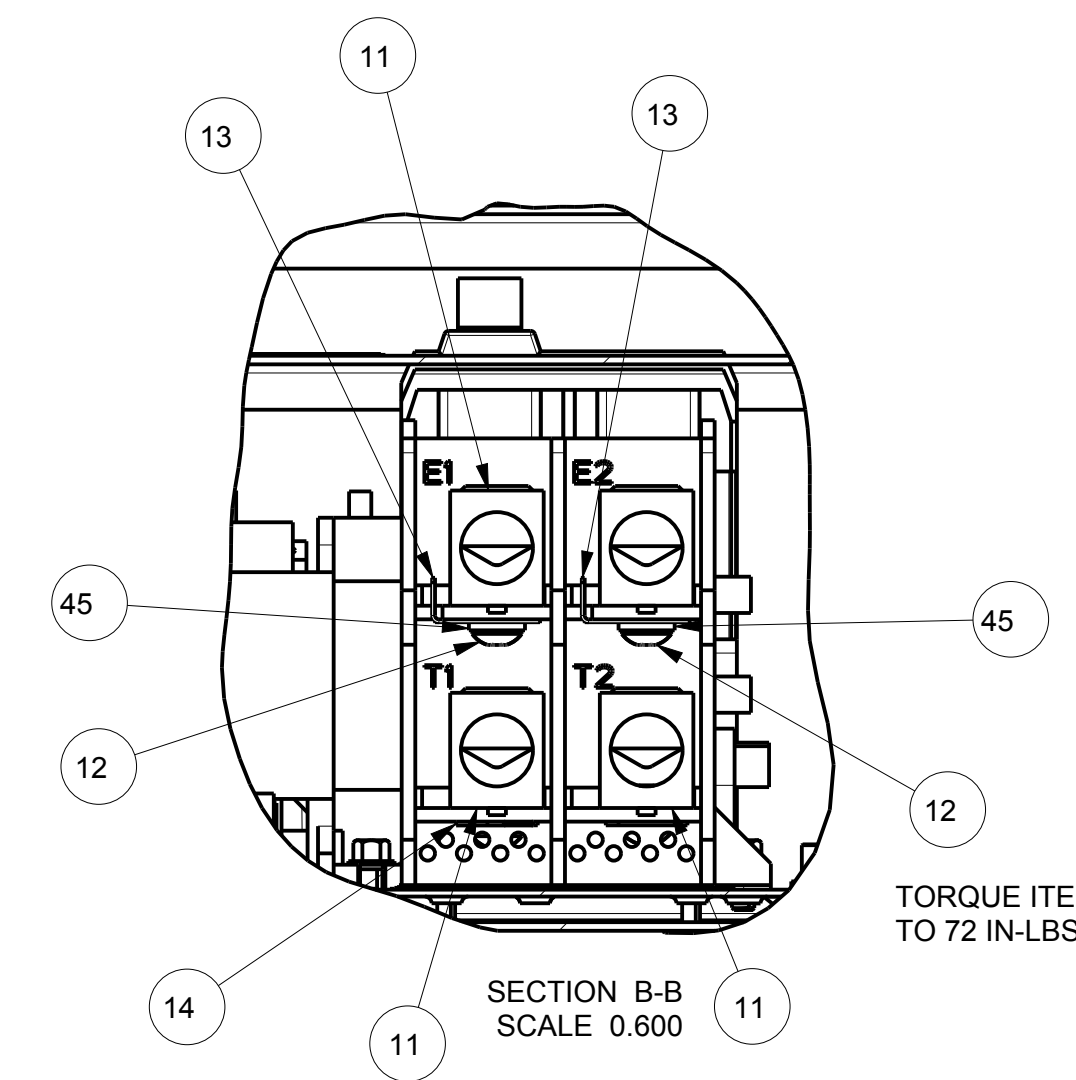
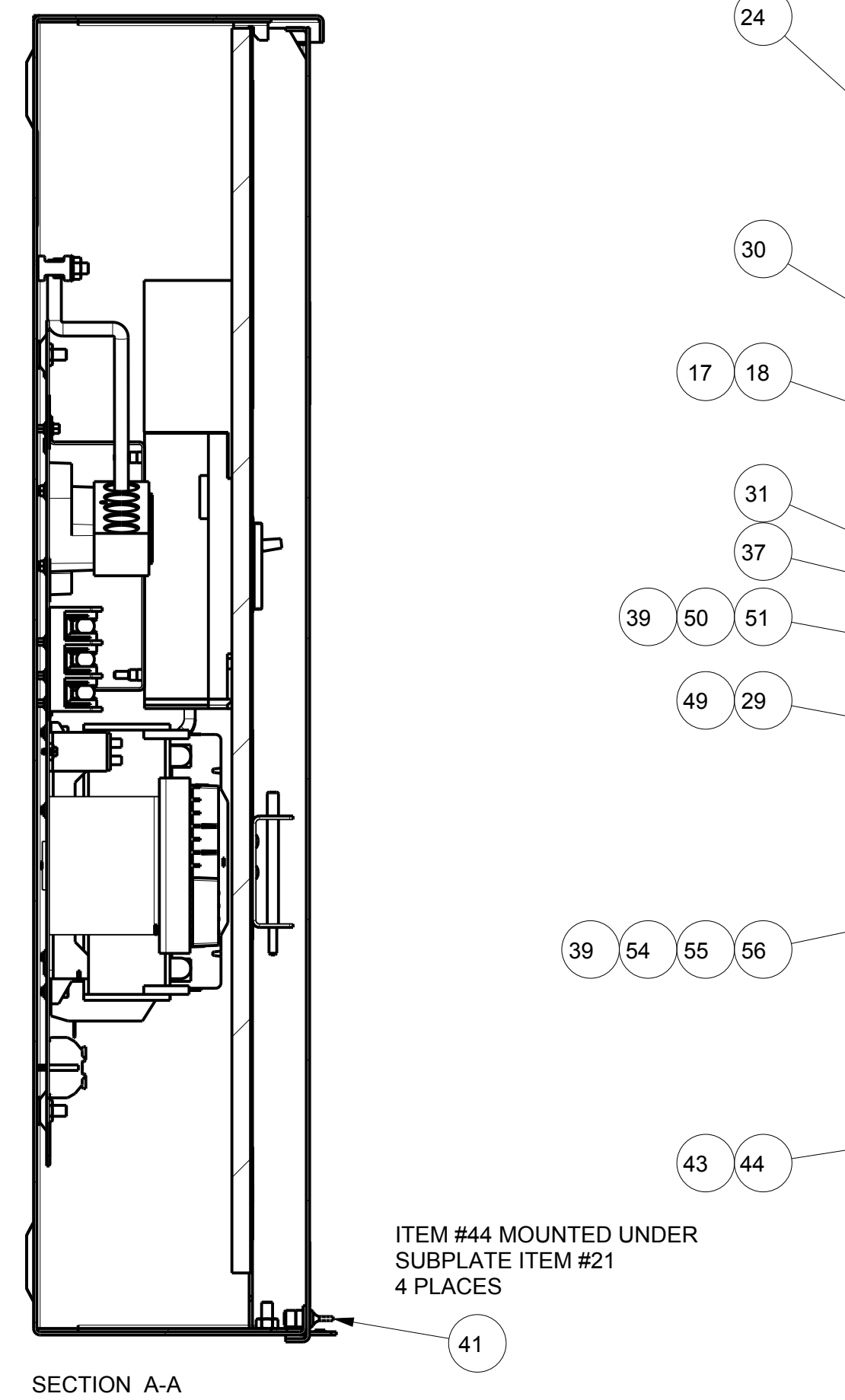
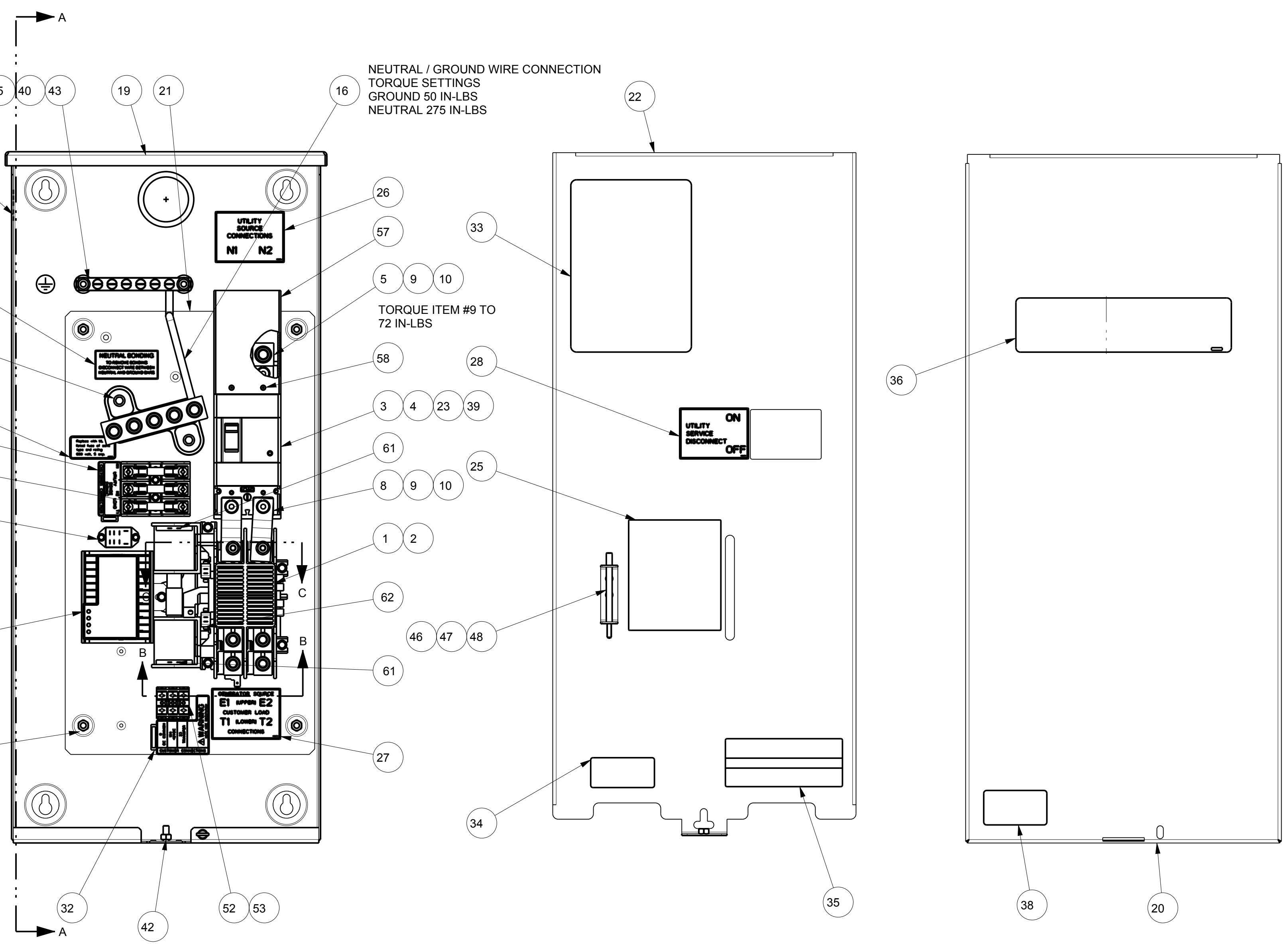
TITLE: ASSEMBLY 200A SERVICE ENTRANCE GENERAC CB

ISSUE DATE: \_\_\_\_\_

SIZE: D	CAGE NO: N/A	DWG NO: 0K0166\$	REV: F
SCALE: 0.300	WT-KG	321519859.887/SHEET	1 of 1

GENERAC POWER SYSTEMS OWNS THE COPYRIGHT OF THIS DRAWING. NO PART OF THIS DRAWING IS TO BE REPRODUCED OR TRANSMITTED IN ANY FORM OR BY ANY MEANS, ELECTRONIC OR MECHANICAL, INCLUDING PHOTOCOPYING, RECORDING, OR BY ANY INFORMATION STORAGE AND RETRIEVAL SYSTEM, WITHOUT THE EXPRESS WRITTEN CONSENT OF GENERAC POWER SYSTEMS. © GENERAC POWER SYSTEMS 2010

ELECTRONICALLY APPROVED INSIDE WINDCHILL



**GENERAL ASSEMBLY DRAWING**

DRAWING CREATED FROM PRO/ENGINEER 3D FILE. ECO MODIFICATION TO BE APPLIED TO SOLID MODEL ONLY.

# GROUP C

