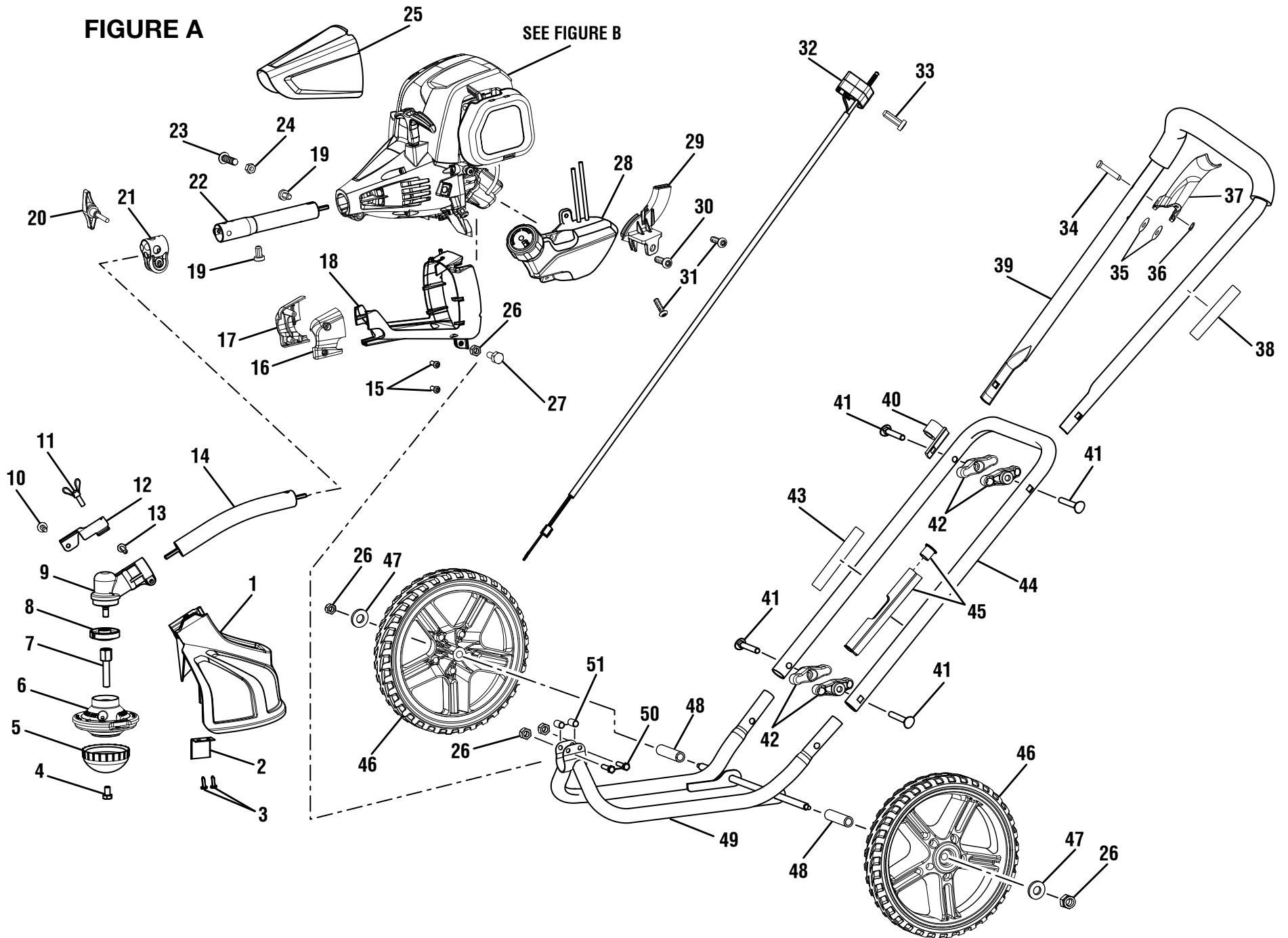


RYOBI 30CC 4-CYCLE WHEELED TRIMMER - MODEL NO. RY13016

FIGURE A

SEE FIGURE B



PARTS LIST (FIGURE A)

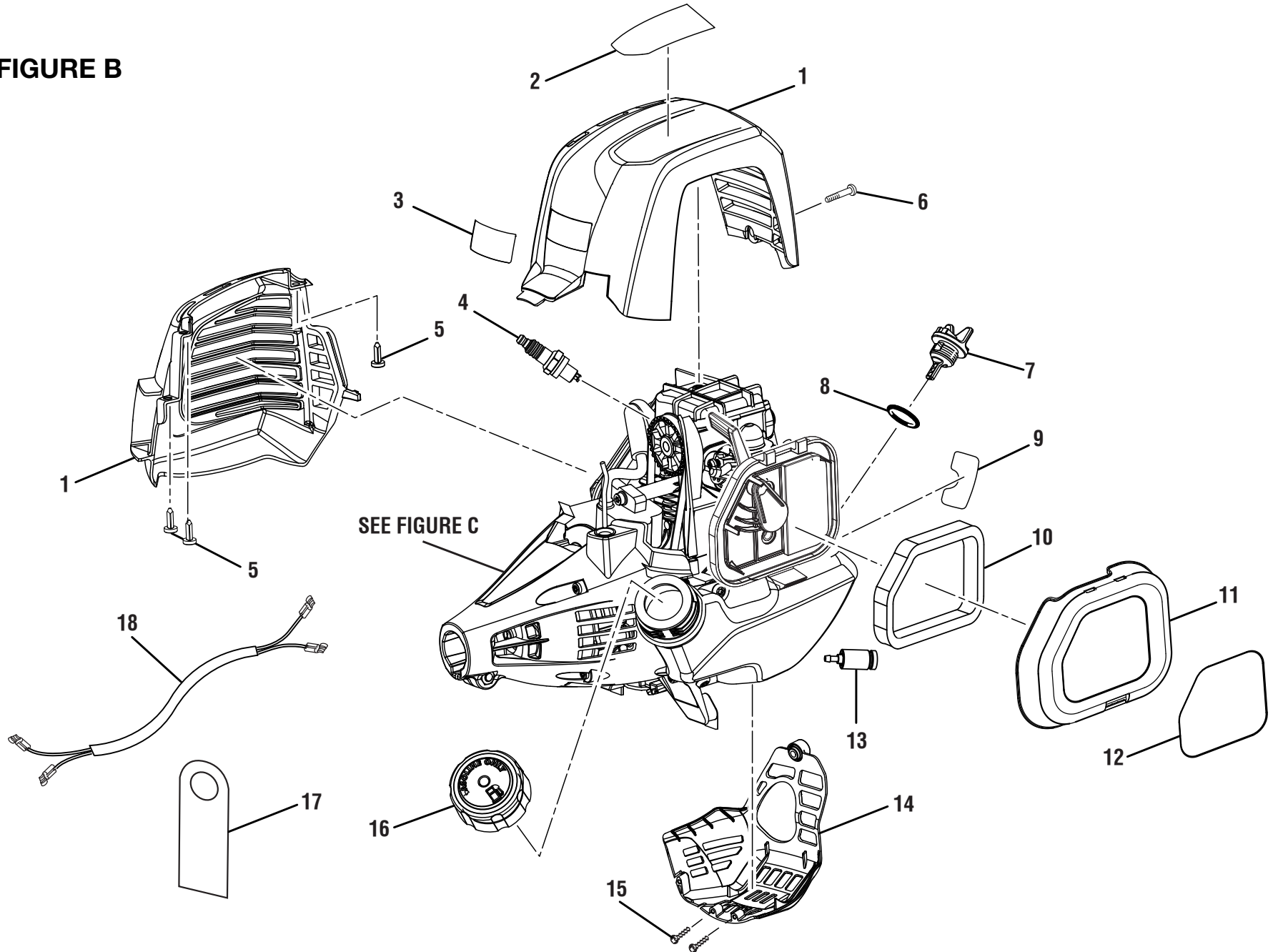
KEY NO.	PART NUMBER	DESCRIPTION	QTY
1	519856001	Grass Shield (Inc. Key Nos. 2-3).....	1
2	638020001	Cut-Off Blade	1
3	660675001	Screw (8-16 x 5/8 in., T25 Torx Truss Hd.T.F.)..	2
4	660649001	Screw (5/16-18 x 1/2 in., Left Hand Hex Hd.)..	1
5	519831001	Mow Ball	1
6	308925001	Stringhead Assembly	1
7	678019002	Stringhead Adapter Shaft.....	1
8	678011001	Flange Washer	1
9	308210002	Gear Case Assembly.....	1
10	660736001	Screw (10-24 x 5/8 in., Hex Washer Hd.).....	1
11	660886001	Wing Screw (1/4-20 x 3/4 in.).....	1
12	638125001	String Guard Clamp	1
13	660642001	Screw (1/4-20 x 1-1/4 in., T25 Hex Hd.)	1
14	309021002	Lower Boom Assembly	1
15	660840001	Screw (M4 x 13 mm, T20 Torx Pan Hd.)	2
16	519846001	Left Screen Cap	1
17	519847001	Right Screen Cap.....	1
18	519844001	Screen Frame.....	1
19	660634001	Screw (#8-16 x 5/16 in.,T25 Torx Pan Hd.)	2
20	308045005	Knob (1/4-20)	1
21	638010003	Split Boom Clamp.....	1
22	309022001	Upper Boom Assembly.....	1
23	660697002	Screw (M6 x 20 mm, T27 Torx Button Hd.).....	1
24	678029002	Hex Nut (M6)	1
25	638179003	Mesh Screen	1
26	678460002	Lock Nut (M6).....	5
27	660154006	Bolt (M6 x 16 mm, Hex Hd.).....	1
28	310585012	Fuel Tank	1

KEY NO.	PART NUMBER	DESCRIPTION	QTY
29	526450001	Cable Guide	1
30	660970008	Screw (M4 x 19 mm, T25 Torx Truss Hd.)	1
31	660970002	Screw (M4 x 14mm, T25 Torx Truss Hd.)	2
32	308330005	Throttle Cable Assembly	1
33	660669001	Screw (#8-16 x 13 mm, Pan Hd. T.F.).....	1
34	638132001	Pivot Pin	1
35	590462002	Washer (ID6.35 x OD12.52 x 2t).....	2
36	678135001	E-Ring	1
37	518256003	Trigger	1
38	940230132	Warning Label	1
39	309019001	Upper Handle Assembly	1
40	519801001	Cable Clip.....	1
41	661527001	Carriage Bolt (M8 x 40 mm)	4
42	310262004	Knob w/Nut Assembly	4
43	940654088	Fire Warning Label	1
44	638740002	Center Handle	1
45	310818001	Line Carrier Assembly	1
46	309023001	Wheel Assembly (10 in.).....	2
47	678587001	Washer (ID6.2 x OD18 x 1.5t).....	2
48	519864001	Spacer.....	2
49	309020002	Frame Assembly	1
50	660903002	Bolt (M6 x 30 mm, Hex Hd.).....	2
51	638748001	Clamp Spacer	2

NOT SHOWN:

990000469 Operator's Manual
 8-26-13
 (Rev:02)

FIGURE B

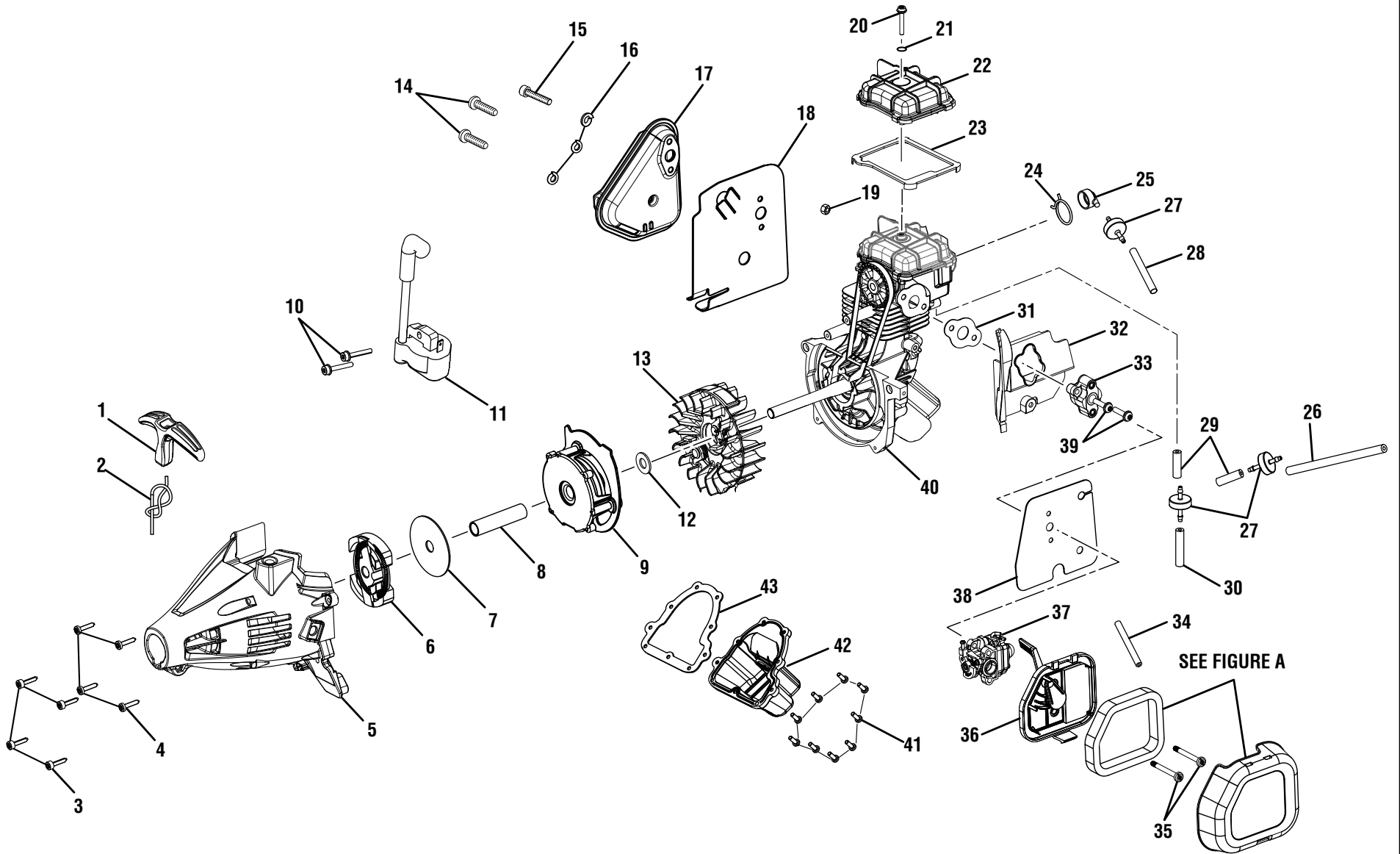


PARTS LIST (FIGURE B)

KEY NO.	PART NUMBER	DESCRIPTION	QTY
1	310536001	Top Cover Assembly (Inc. Key No. 5).....	1
2	940991037	Model Label	1
3	940705020	Logo Label	1
4	870301002	* Spark Plug (Champion RY4C).....	1
5	660466002	Screw (M4 x 12 mm, T20 Torx Truss Hd.).....	3
6	660510006	Screw (M4 x 11 mm, T20 Torx Cap Hd.).....	1
7	310302001	Oil Cap/Dipstick (Inc. Key No. 8).....	1
8	570400001	O-Ring.....	1
9	940680023	Hot Surface Label	1
10	901723001	Air Filter	1
11	525016001	Air Box Cover	1
12	940734127	Starting Label.....	1
13	300759005	Fuel Filter.....	1
14	518548001	Bottom Cover.....	1
15	T660619001	Screw (#6-19 x 1/2 in. Phillips Hd. T.F.).....	2
16	310816006	Fuel Cap.....	1
17	940971028	Oil Warning Hang Tag	1
18	308863022	Wiring Harness.....	1

* Standard Hardware Item – May Be Purchased Locally

FIGURE C



PARTS LIST (FIGURE C)

KEY NO.	PART NUMBER	DESCRIPTION	QTY	KEY NO.	PART NUMBER	DESCRIPTION	QTY
1	525485001	Starter Grip	1	22	638692001	Cam Cover	1
2	900849002	Starter Rope	1	23	901705001	Gasket	1
3	660466001	Screw (M4 x 18 mm, T20 Torx Soc. Hd.).....	4	24	678850001	Wire Clamp.....	1
4	660970001	Screw (M4 x 16 mm, T20 Torx Soc. Hd.).....	4	25	570401001	Breather Fitting.....	1
5	310304001	Starter Housing Assembly.....	1	26	570710015	Breather Hose (120 mm)	1
6	300960002	Clutch Assembly.....	1	27	308826002	Check Valve.....	3
7	638090001	Washer (ID9.63 x OD50.75 x 1.10t)	1	28	901666003	Shield Sleeve (M6 x 50 mm).....	1
8	638284002	Spacer	1	29	570710002	Breather Hose (24 mm)	2
9	310305001	Starter Housing Assembly.....	1	30	570710003	Breather Hose (34 mm, Crankcase).....	1
10	660968001	Screw (M4 x 19 mm, T20 Torx Pan Hd.).....	2	31	901657003	Heat Dam Gasket	1
11	309263002	Ignition Module.....	1	32	525030001	Air Baffle	1
12	650017001	Washer (ID9.75 x OD20 x 1.6t)	1	33	525031001	Heat Dam.....	1
13	309011001	Flywheel Assembly	1	34	570710004	Breather Hose (50 mm)	1
14	661143001	Screw (M5 x 38 mm, T25 Torx Truss Hd.) ...	2	35	660454015	Screw (M5 x 44 mm, T20 Torx Hd.).....	2
15	660347001	Cap Screw (M5 x 50 mm, T25 Torx Soc. Hd.).....	1	36	308398005	Air Box Base.....	1
16	678343001	Lock Washer (ID5.1 x OD9 x 1.3t)	3	37	309375002	Carburetor	1
17	309324001	Muffler Assembly.....	1	38	900809013	Heat Shield w/Gasket (Carburetor).....	1
18	901702002	Muffler Gasket	1	39	660629003	Screw (M5 x 23 mm, T25 Torx Pan Hd.).....	2
19	675343001	Hex Nut (M5).....	1	40	309962012	Short Block Assembly	1
20	660780002	Screw (M4 x 27 mm, T20 Torx Truss Hd.) ...	1	41	660925003	Screw (M4 x 12 mm, T20 Torx Hd.).....	9
21	570400002	O-Ring	1	42	518924003	Oil Pan	1
				43	570709002	Oil Pan Gasket.....	1