



**PRESSURE WASHER  
ITEM NO. RY141900  
MFG. NO. 090079269  
REPLACEMENT PARTS LIST**

**Techtronic Industries Power Equipment, Inc.**

1428 Pearman Dairy Road, Anderson, SC 29625

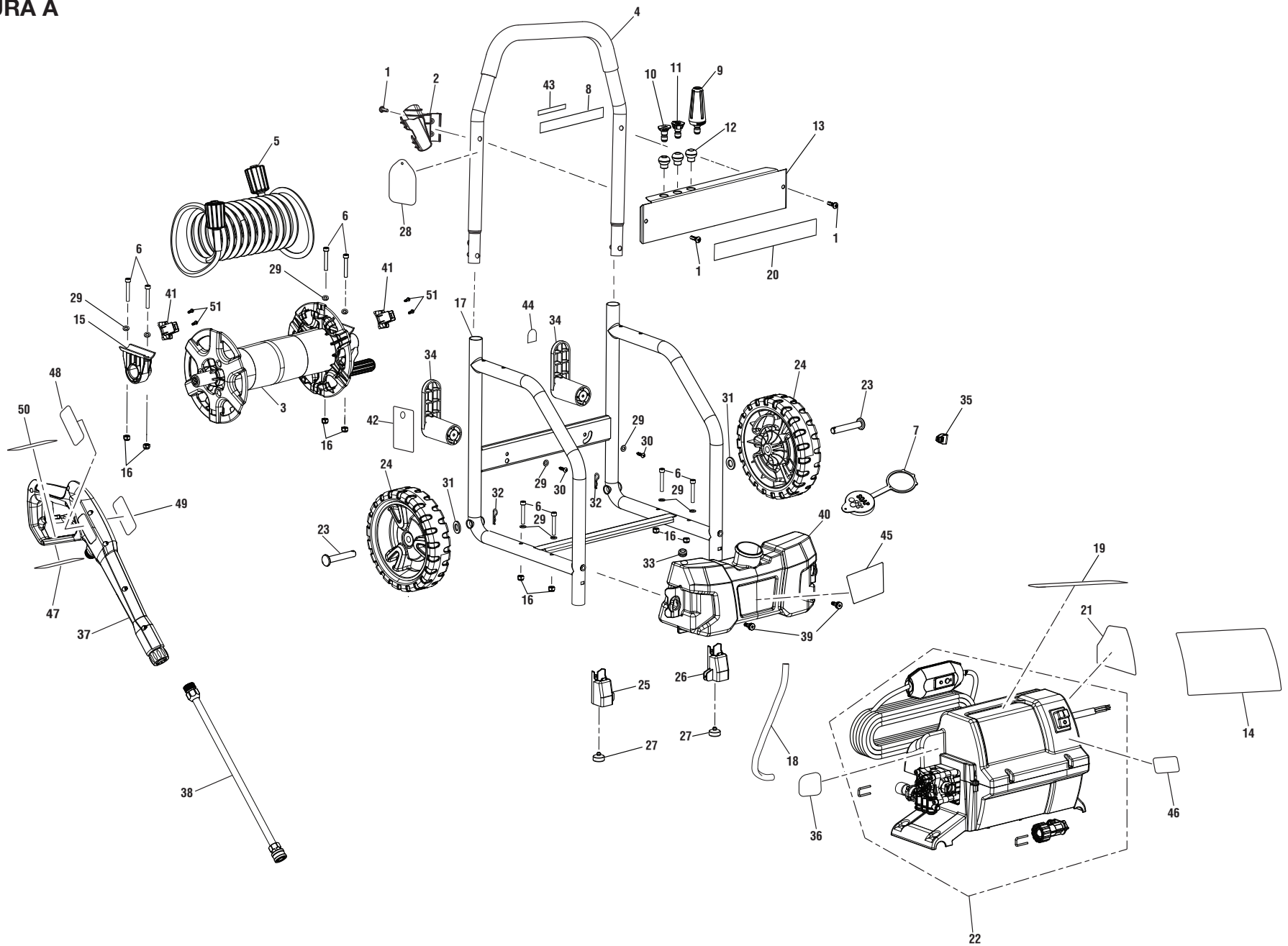
Phone 1-800-860-4050

[www.ryobitools.com](http://www.ryobitools.com)

991000319  
1-25-17 (Rev:02)

RYOBI ELECTRIC PRESSURE WASHER – ITEM NO. RY141900

FIGURE A /  
FIGURA A



## RYOBI ELECTRIC PRESSURE WASHER – ITEM NO. RY141900

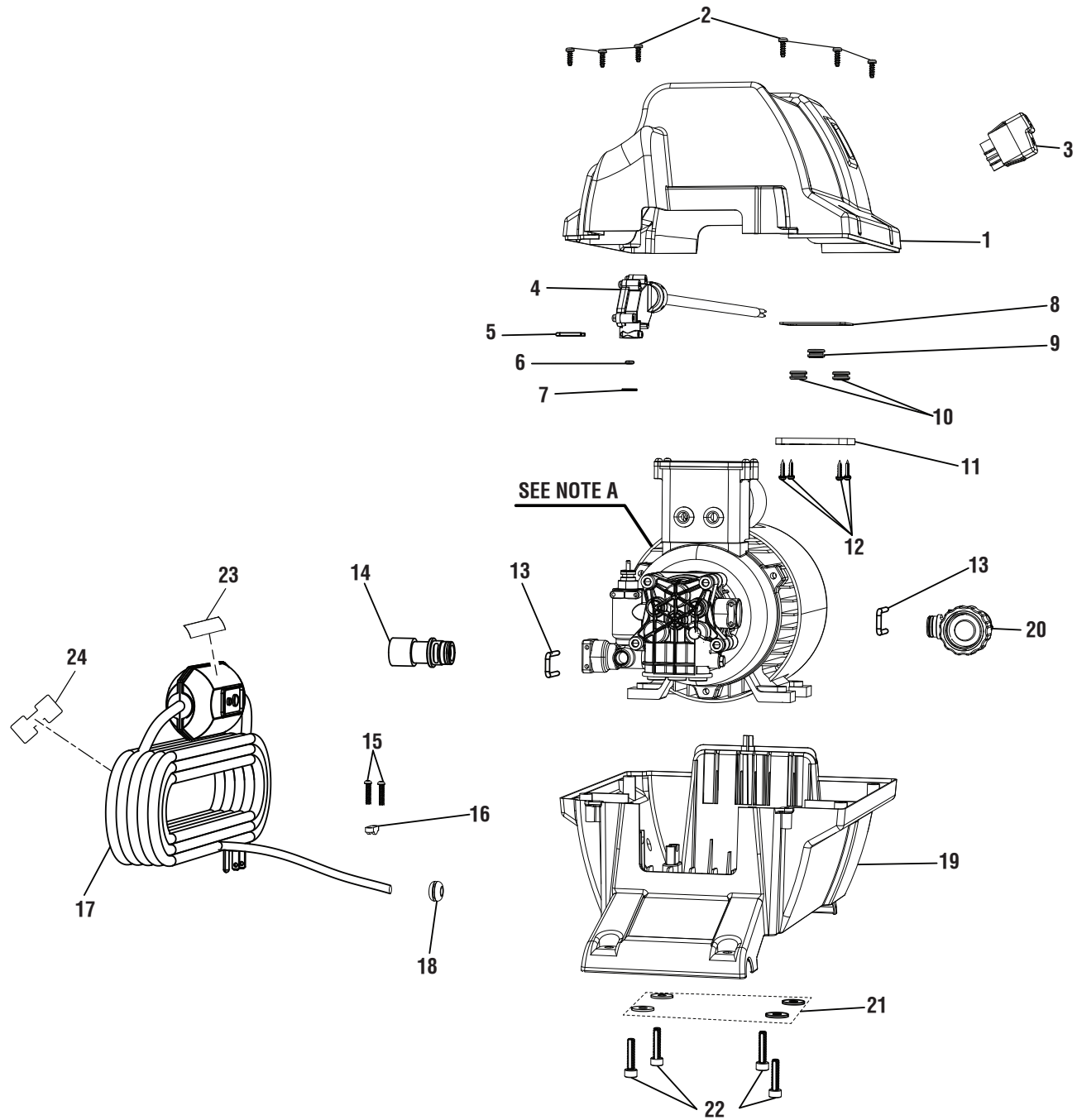
The model number will be found on a plate attached to pump housing. Always mention the model number in all correspondence regarding your **PRESSURE WASHER** or when ordering replacement parts.

### FIGURE A PARTS LIST

KEY NO.	PART NUMBER	DESCRIPTION	QTY	KEY NO.	PART NUMBER	DESCRIPTION	QTY
1	660481019	Bolt (M6 x 20 mm) .....	3	28	308421002	Spring Clip w/Button .....	2
2	519313010	Trigger Handle Holder .....	1	29	678600010	Washer (M6) .....	6
3	309008004	Hose Reel Assembly .....	1	30	661403019	Screw (M4.8 x 19 mm, Phillips Hd. S.T.) .....	2
4	310224071	Handle Assembly (Inc. Key No. 28) .....	1	31	678889003	Washer (ID12.5 x OD24 x 2t) .....	2
5	308835065	High Pressure Hose .....	1	32	678238002	Hitch Pin .....	2
6	660481015	Screw (M6 x 40 mm) .....	8	33	561383028	Soap Tank Grommet .....	1
7	310650007	Detergent Tank Cap .....	1	34	522037003	Cord Wrap Arm .....	2
8	940617119	Quick Start Label .....	1	35	522051003	Cord Clamp .....	1
9	308311014	Turbo Nozzle .....	1	36	661403016	Screw (M4.2 x 15 mm, Phillips Hd. S.T.) .....	2
10	308706013	Soap Nozzle .....	1	37	308760053	Trigger Handle .....	1
11	308698023	15° Nozzle .....	1	38	308494074	Spray Wand .....	1
12	561383029	Nozzle Grommet .....	3	39	660481022	Shoulder Bolt (M6 x 16 mm) .....	2
13	678973008	Performance Panel .....	1	40	580875016	Detergent Tank .....	1
14	940705265	Logo Label .....	1	41	529062001	Hose Clip .....	1
15	522941003	Hose Reel Bracket .....	1	42	940473023	Warning Hangtag .....	1
16	678460001	Lock Nut (M6) .....	8	43	941486008	Inquires Label .....	1
17	308582061	Main Frame .....	1	44	941076001	Cord Unlock Label .....	1
18	561399014	Injection Hose .....	1	45	941608007	Detergent Tank Label .....	1
19	940786041	Nozzle Select Label .....	1	46	940734079	On/Off Switch Label .....	1
20	940779142	Performance Label .....	1	47	940904003	Trigger Handle Rating Label .....	1
21	940707039	Danger Label .....	1	48	940786027	Trigger Handle Logo Label .....	1
22	See Figure B	Pump Housing Assembly .....	1	49	940324030	Trigger Handle Warning Label (English) .....	1
23	620599028	Wheel Axle .....	2	50	940324024	Trigger Handle Warning Label (French/Spanish) .....	1
24	308451054	Wheel .....	2	51	941002168	Pump Label .....	1
25	523406004	Foot (Left) .....	1	<b>Not Shown:</b>			
26	523406005	Foot (Right) .....	1	991000317	Operator's Manual		
27	570554017	Foot Pad .....	2	991000318	Quick Reference Guide		

RYOBI ELECTRIC PRESSURE WASHER – ITEM NO. RY141900

FIGURE B /  
FIGURA B



## RYOBI ELECTRIC PRESSURE WASHER – ITEM NO. RY141900

The model number will be found on a label attached to pump housing. Always mention the model number in all correspondence regarding your **PRESSURE WASHER** or when ordering replacement parts.

### FIGURE B PARTS LIST

KEY NO.	PART NUMBER	DESCRIPTION	QTY
1	522032010	Top Motor Housing .....	1
2	661403016	Screw (M4 x 15 mm) .....	6
3	760504007	Switch .....	1
4	310870002	Pressure Switch .....	1
5	678799014	U Clip .....	1
6	570742071	O-Ring.....	1
7	638397003	Brass Washer (OD11.2 x ID3.4 x 1t) .....	1
8	570740016	Switch Cover Gasket .....	1
9	561383024	Grommet.....	1
10	561383012	Grommet.....	2
11	570417004	Switch Cover.....	1
12	661403015	Screw (M3 x 14 mm) .....	4
13	678799013	U Clip .....	2
14	308862005	Outlet Pump Assembly .....	1
15	661610008	Screw (M3.5 x 20 mm) .....	2
16	522051003	Cord Clamp.....	1
17	290426020	Power Cord .....	1
18	561383025	Grommet.....	1
19	522038010	Lower Motor Housing .....	1
20	308861007	90 degree Inlet Assembly.....	1
21	638128016	Washer (OD18 x ID6.3 x 1t).....	4
22	661554004	Bolt (M8 x 20 mm, Hex Hd.).....	4
23	940603006	Cord Plug Label.....	1
24	940324032	Cord Wrap Label .....	1

**NOTE A:** Techtronic Industries Power Equipment, Inc. will not provide complete motor/pump as a replacement part. Motor/pumps are covered though the motor/pump manufacturer's warranty. Consult the accompanying motor/pumps manual or contact our service department for assistance.

