



RYOBI
ELECTRIC POWER HEAD
MODEL NO. RY15124
MFG NO. 099839001
REPAIR SHEET

Techtronic Industries Power Equipment

1428 Pearman Dairy Rd.

Anderson, SC 29625

1-800-860-4050

www.ryobitools.com

RYOBI ELECTRIC POWERHEAD - MODEL NO. RY15124

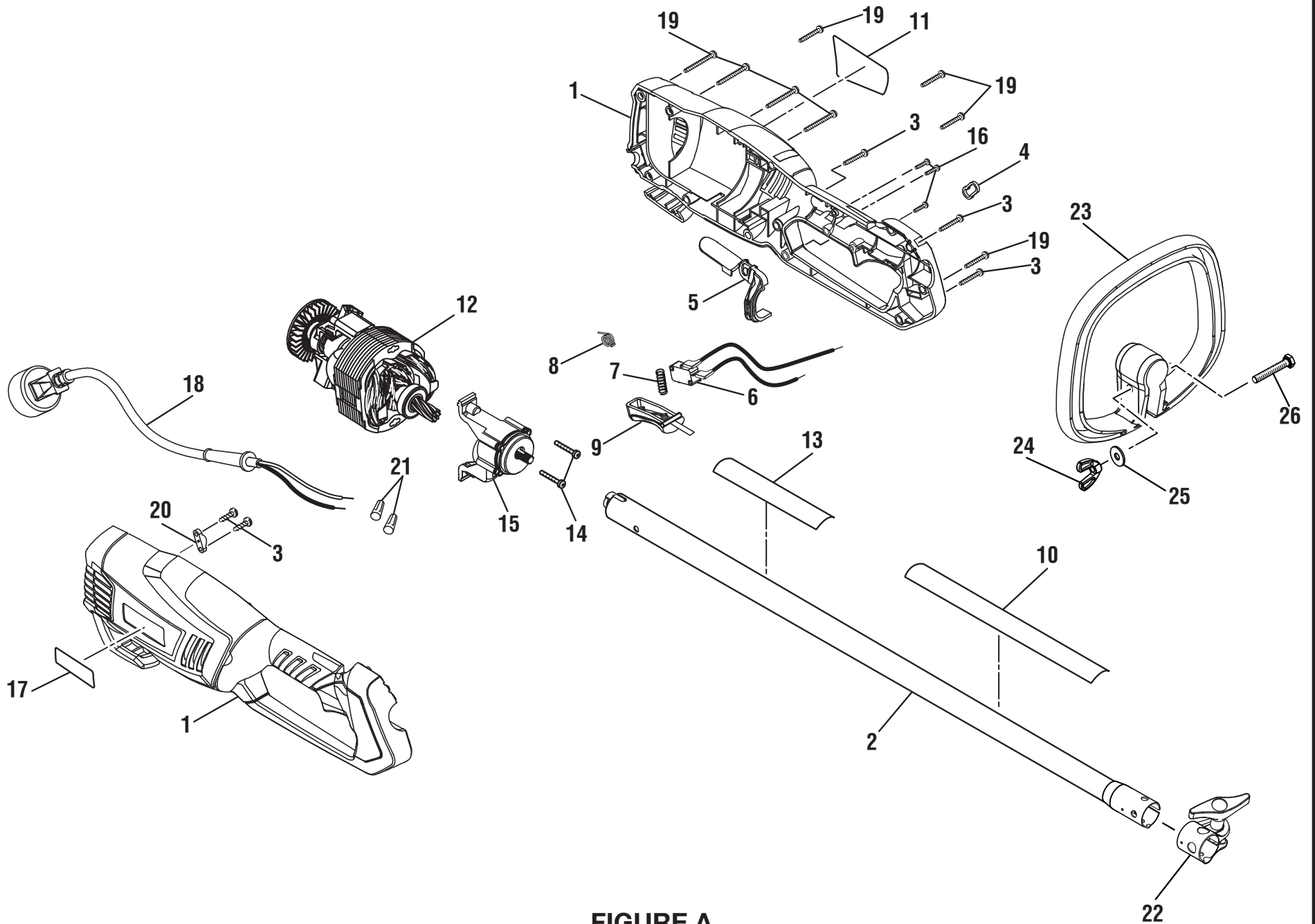


FIGURE A

RYOBI ELECTRIC POWERHEAD – MODEL NO. RY15124

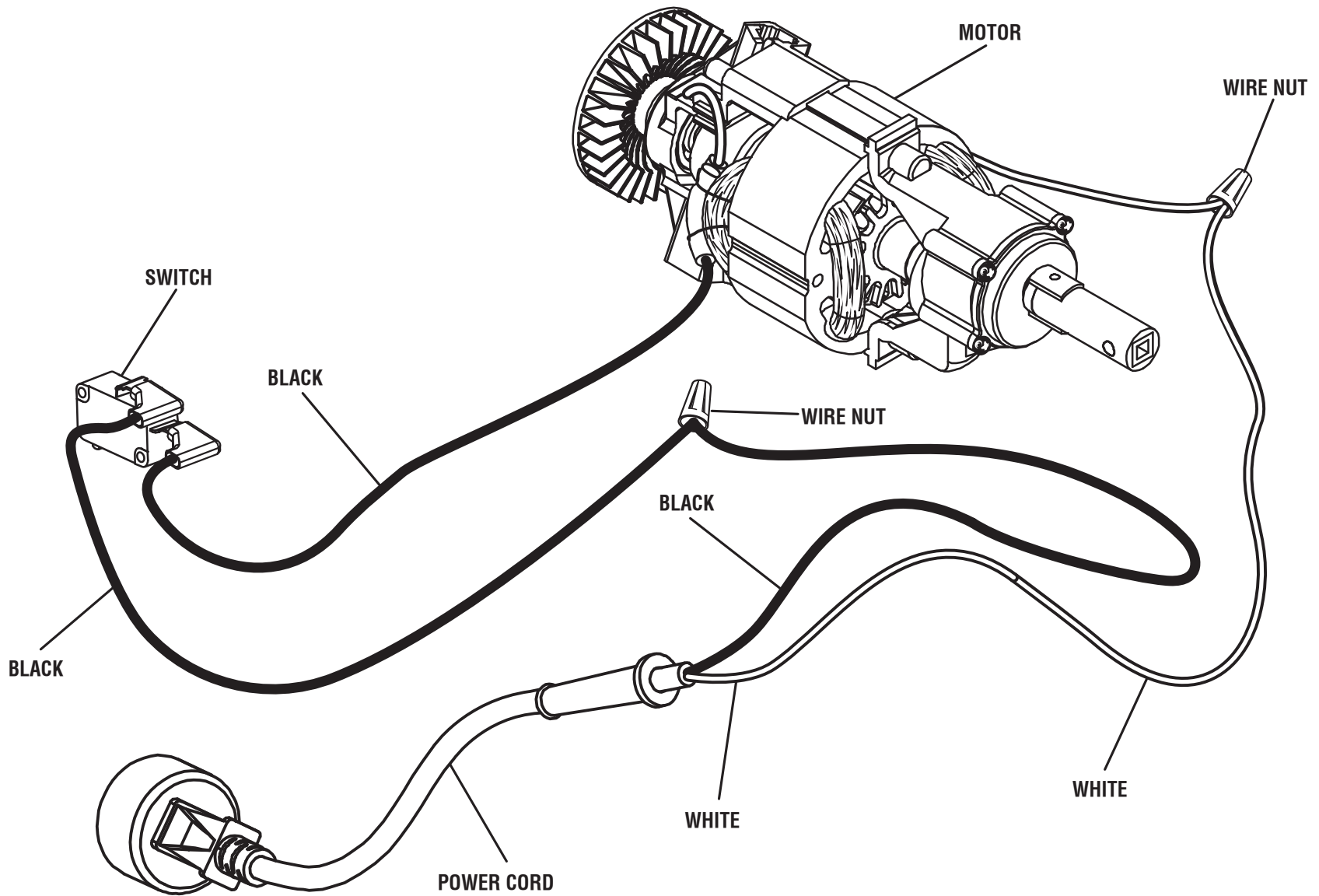
The model number will be found on a label attached to the housing assembly. Always mention the model number of your **ELECTRIC POWERHEAD** when requesting service or ordering repair parts.

PARTS LIST

KEY NO.	PART NUMBER	DESCRIPTION	QTY	KEY NO.	PART NUMBER	DESCRIPTION	QTY
1	099839001009	Housing Assembly	1	16	099839001021	Screw (M3 x 12 mm)	3
2	099839001002	Boom Assembly	1	17	941545002	Logo Label	1
3	099839001020	Screw (M4 x 14 mm)	5	18	099839001015	Power Cord Assembly.....	1
4	099839001007	Strap Hook	1	19	099839001019	Screw (M4 x 16 mm)	8
5	099839001017	Lock-Out Lever	1	20	099839001016	Cord Clamp	1
6	099839001014	Switch Assembly w/Leads	1	21	099839001013	Wire Nut	2
7	099839001018	Compression Spring	1	22	099839001001	Boom Clamp Assembly.....	1
8	099839001008	Torsion Spring	1	23	099839001005	Front Handle Assembly (Inc. Key Nos. 24-26).....	1
9	099839001022	Switch Trigger	1	24	099839001003	Wing Nut (1/4-20)	1
10	099919001902	Warning Label (French)	1	25	099839001004	Washer (1/4 in.)	1
11	941588045	Data Label/Warning Label (English and Spanish).....	1	26	099839001006	Bolt (1/4-20 x 40 mm)	1
12	099839001011	Motor Assembly	1	NOT SHOWN:			
13	099919001900	Icon Strip Label	1	990000718	Operator's Manual		
14	099839001012	Screw	2	5-18-17			
15	099839001010	Gear Assembly	1	(Rev:01)			

WARNING: Improper repair of a double insulated tool can result in damage to the double insulation system possibly causing electrical shock or electrocution. Any repairs requiring disassembly of your tool requires safety testing and should only be performed by a Ryobi Authorized Service Center. For the service center nearest you call 1-800-860-4050.

RYOBI ELECTRIC POWERHEAD – MODEL NO. RY15124



WIRING DIAGRAM