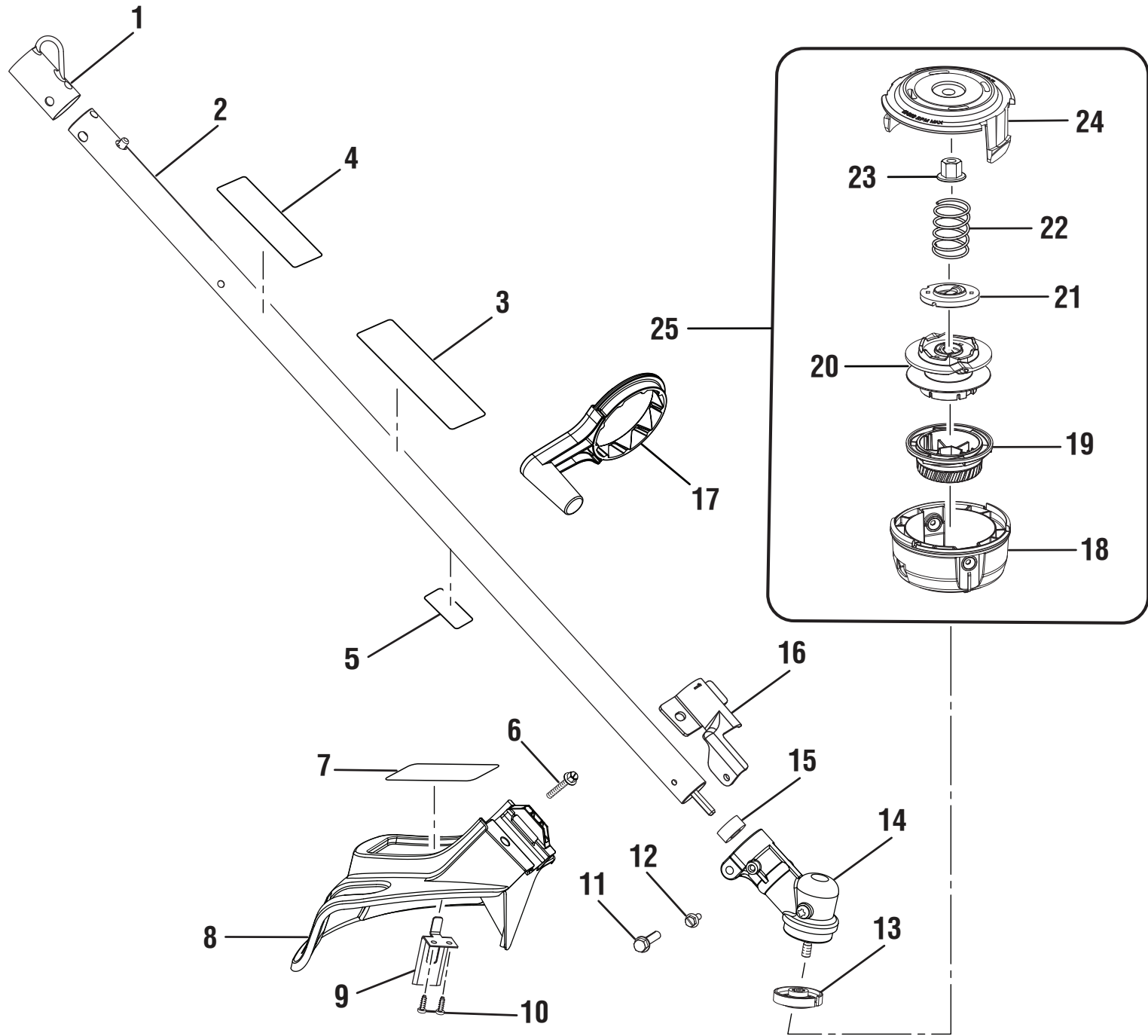


RYOBI
Trimmer Attachment
Item No. RY15523A/RY15523AVNM
Model No. 313351003/313284101
Repair Sheet

TECHTRONIC INDUSTRIES POWER EQUIPMENT

P.O. Box 1288
Anderson, SC 29622 USA
1-800-860-4050

RY15523A/RV15523AVNM TRIMMER ATTACHMENT



RY15523A/RV15523AVNM TRIMMER ATTACHMENT

The model number will be found on a label attached to the motor housing. Always mention the model number of your **STRING TRIMMER** when requesting service or ordering repair parts.

PARTS LIST

KEY NO.	PART NUMBER	DESCRIPTION	QTY
1	518019004	Hanger Cap	1
2	314383001	Straight Shaft Assembly (Inc. Key Nos. 3-5, RY15523A)	1
	315833001	Straight Shaft Assembly (Inc. Key Nos. 3-5, RY15523AVNM)	1
3	940749005	Warning Icon Label	1
4	941851149	Ryobi EXPAND-IT Label	1
5	941588053	Data Label (RY15523A)	1
	941588477	Data Label (RY15523AVNM)	1
6	660738002	Screw (1/4-20 x 1-1/4 in., Hex Washer Hd.)	1
7	940705021	Logo Label	1
8	313285005	Grass Deflector Assembly (Inc. Key Nos. 6-7 & 9-10)	1
9	638016003	Line Cut-off Blade	1
10	662148001	Screw	2
11	660642001	Screw (1/4-20 x 1-1/4 in., Hex Washer Hd.)	1
12	660641001	Screw (10-24 x 5/8 in., Hex Washer Hd.)	1
13	678011001	Flanged Washer	1
14	308210009	Gear Head	1
15	518367001	Spacer	1
16	638125001	Grass Deflector Clamp	1
17	532048001	Crank Handle	1
18	530366001	Lower Housing	1
19	530455002	Bump Knob (Green)	1
20	530670001	Spool Assembly	1
21	529803001	String Guide	1
22	678749001	Spring	1
23	662568002	Hex Flange Nut (M8, Left Hand)	1
24	530001004	Upper Housing	1
25	313318001	Stringhead Reel Assembly (Inc. Key Nos. 18-24)	1

Not Shown:

990000799 Operator's Manual
 10-2-19
 (Rev:09)