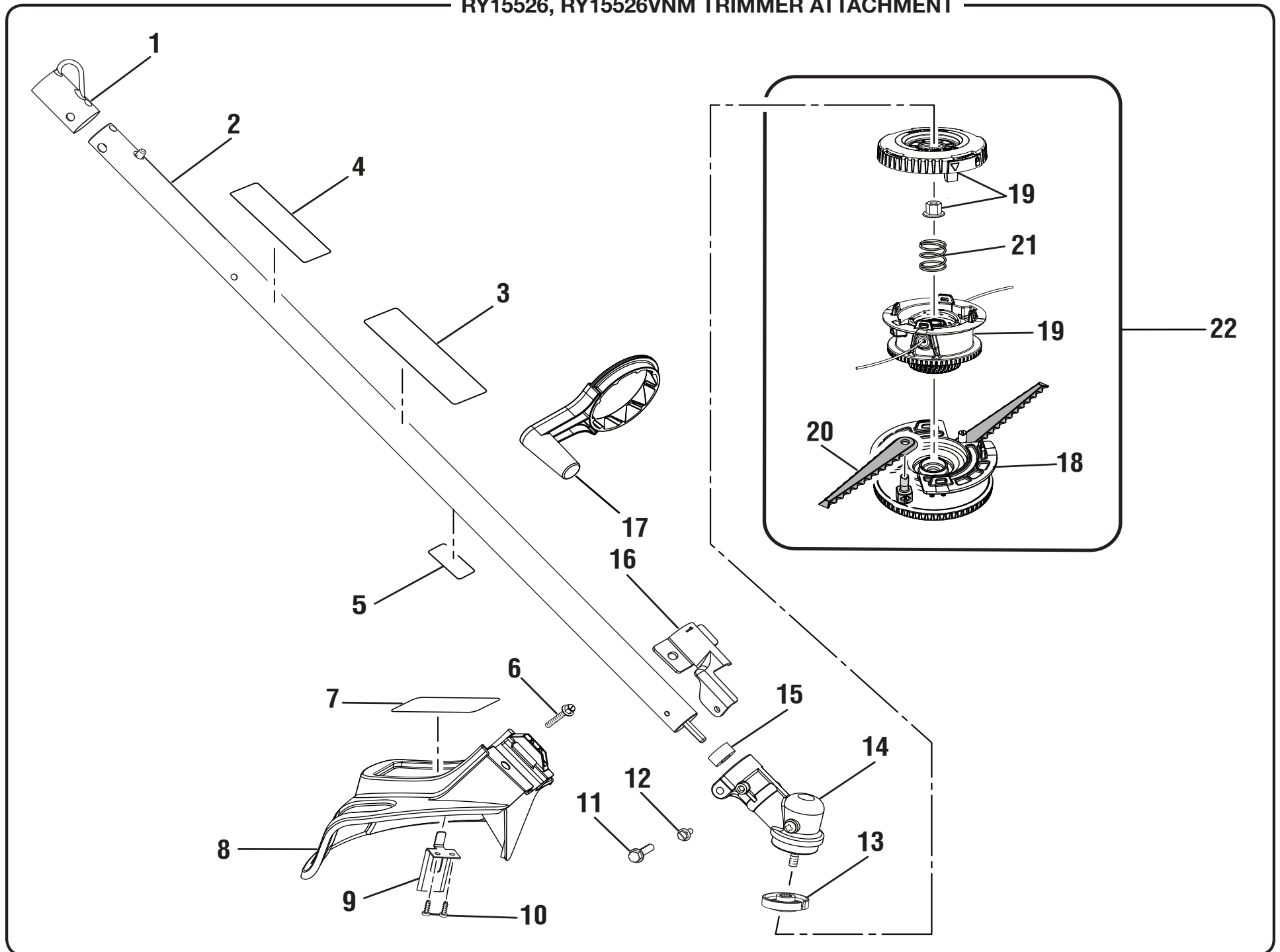


RYOBI
Straight Shaft Trimmer
Attachment with 3-in-1
Trimmer Head Accessories
Model Nos. RY15526, RY15526VNM
Mfg Nos. 311247005, 311247101
Repair Sheet

TECHTRONIC INDUSTRIES POWER EQUIPMENT

P.O. Box 1288, Anderson, SC 29622 USA
1-800-860-4050 • www.ryobitools.com

RY15526, RY15526VNM TRIMMER ATTACHMENT



RY15526, RY15526VNM TRIMMER ATTACHMENT

The model number will be found on a label attached to the motor housing. Always mention the model number of your **STRING TRIMMER** when requesting service or ordering repair parts.

PARTS LIST

KEY NO.	PART NUMBER	DESCRIPTION	QTY
1	518019004	Hanger Cap.....	1
2	311247008	Straight Shaft Assembly (RY15526, Inc. Key Nos. 3-5).....	1
	311247009	Straight Shaft Assembly (RY15526VNM, Inc. Key Nos. 3-5).....	1
3	940749005	Warning Icon Label.....	1
4	941851149	Ryobi EXPAND-IT Label.....	1
5	941588453	Data Label (RY15526).....	1
	941588468	Data Label (RY15526VNM).....	1
6	660738002	Screw (1/4-20 x 1-1/4 in., Hex Washer Hd.).....	1
7	940705021	Logo Label.....	1
8	313285005	Grass Deflector Assembly (Inc. Key Nos. 6-7 & 9-10).....	1
9	638016003	Line Cut-off Blade.....	1
10	662148001	Screw (M4.5 mm x 1 mm, Pan Hd.).....	2
11	660642001	Screw (1/4-20 x 1-1/4 in., Hex Washer Hd.).....	1
12	660641001	Screw (10-24 x 5/8 in., Hex Washer Hd.).....	1
13	678011001	Flanged Washer.....	1
14	308210009	Gear Head.....	1
15	518367001	Spacer.....	1
16	638125001	Grass Deflector Clamp.....	1
17	532048001	Crank Handle.....	1
18	314795003	Fixed Line (0.095 in.) and Blade Housing Assembly.....	1
19	314608005	Bump Feed Trimmer Head Assembly (Inc. Key No. 21).....	1
20	537603002	Flail Blade.....	2
21	679958001	Compression Spring.....	1
22	315614001	Stringhead Reel Assembly (Inc. Key Nos. 18-21).....	1

Not Shown:

995000924

Operator's Manual

10-2-19
(Rev:01)