

RYOBI 24 VOLT STRING TRIMMER – MODEL NUMBER RY24200

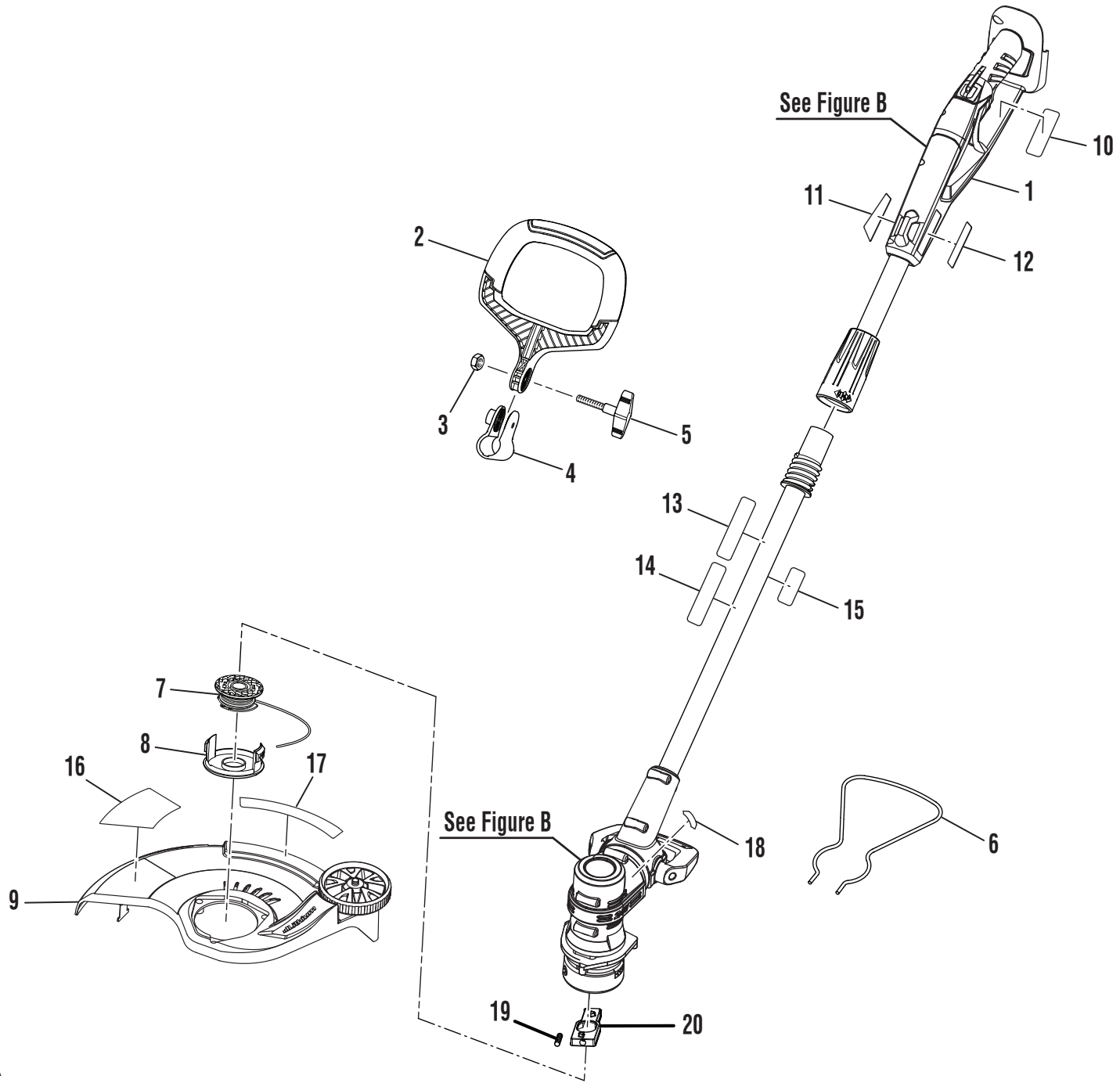


Figure A

RYOBI 24 VOLT STRING TRIMMER – MODEL NUMBER RY24200

The model number will be found on a label attached to the motor housing. Always mention the model number of your **String Trimmer** when requesting service or ordering repair parts.

PARTS LIST (FIGURE A)

KEY NO.	PART NUMBER	DESCRIPTION	QTY
1	31108517G	Power Head Assembly	1
2	31302517G	Adjustable Front Handle.....	1
3	3290205G	Hex Nut (M6)	1
4	3410605AG	Clamp.....	1
5	34104517G	Handle Knob	1
6	33303517G	Guide (Flower Bed).....	1
7	3110382G	Spool w/Line (AC14RSL).....	1
8	3411546-7G	Spool Cap	1
9	31107517G	Grass Deflector Assembly.....	1
10	099627001005	Warning Icon Label (Power Head).....	1
11	099627001004	Data Label (Power Head)	1
12	099627001003	Logo Label	1
13	099627001009	Warning Icon Label (Boom).....	1
14	099628001003	Boom Warning Label.....	1
15	099627001006	Data Label (Boom).....	1
16	099627001007	Adjustable Cutting Width Label.....	1
17	099627001001	Automatic Line Feed Label	1
18	099628001001	Rotation Arrow Label.....	1
19	679034001	Compression Spring.....	1
20	310920001	Slider Assembly.....	1
NOT SHOWN			
	OP140	Charger.....	1
	OP241	Battery.....	1
	988000396	Operator's Manual	

8-19-11
(REV:02)

RYOBI 24 VOLT STRING TRIMMER - MODEL NUMBER RY24200

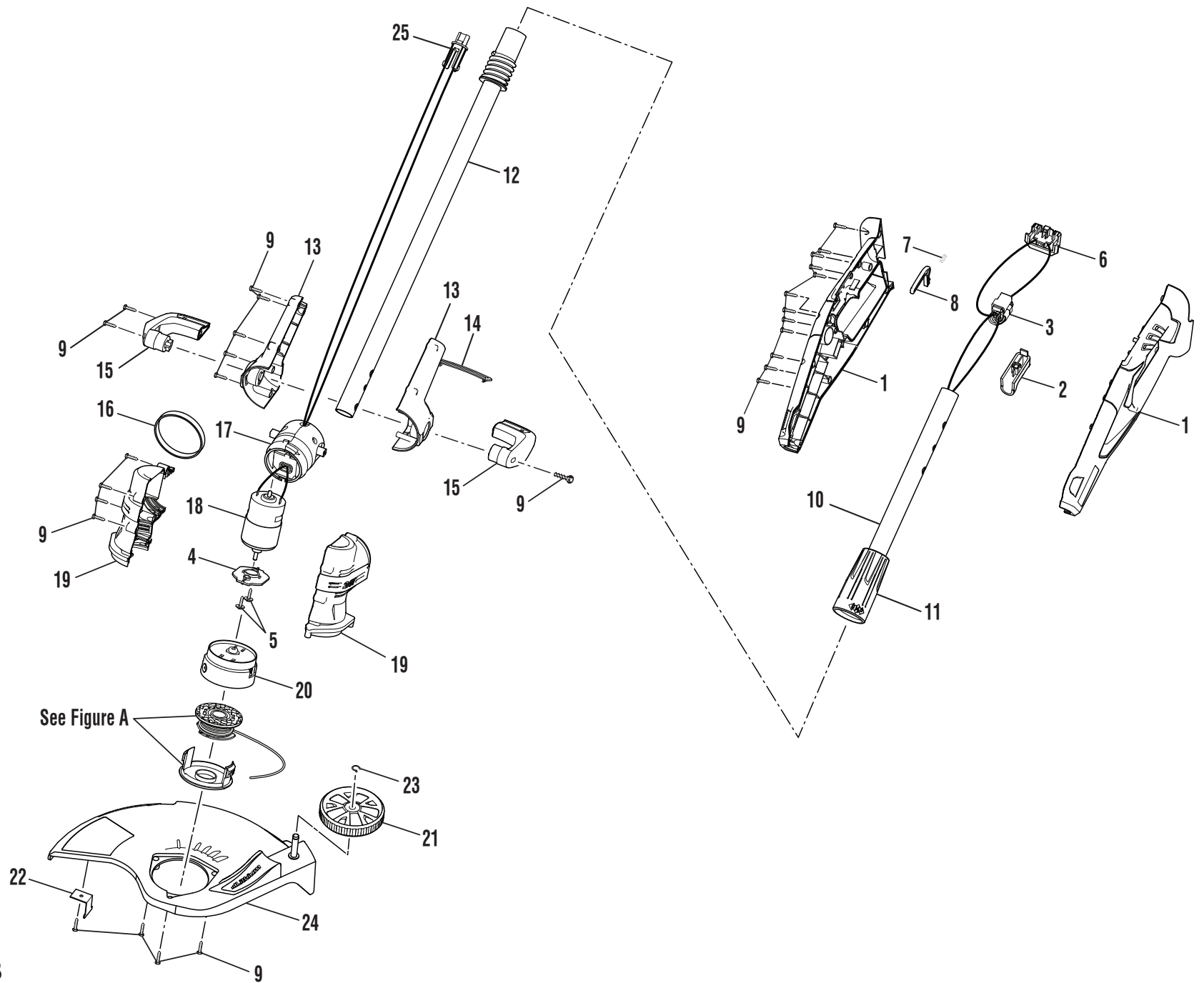


Figure B

RYOBI 24 VOLT STRING TRIMMER – MODEL NUMBER RY24200

The model number will be found on a label attached to the motor housing. Always mention the model number of your **String Trimmer** when requesting service or ordering repair parts.

PARTS LIST (FIGURE B)

KEY NO.	PART NUMBER	DESCRIPTION	QTY
1	31301517G	Handle Assembly	1
2	34101517G	Trigger	1
3	36301517G	Switch	1
4	34106517G	Motor Mounting Plate	1
5	32200517G	Screw w/Washer	2
6	31109459G	Contact Plate	1
7	33901517G	Compression Spring	1
8	34103517G	Lock-Out Button	1
9	32201517G	Screw (M4 x 14 mm)	28
10	31105517G	Upper Boom Assembly	1
11	34113508-1G	Coupler	1
12	31106517G	Lower Boom Assembly (Inc. Key No. 25)	1
13	31303517G	Pivot Housing Assembly	1
14	34107517G	Cover Plate	1
15	31304517G	Adjustment Pedal Assembly	1
16	34105517G	Coupler Ring	1
17	31100339G	Pivot Assembly	1
18	31101517G	Motor Assembly (Inc. Key Nos. 4-5)	1
19	31305517G	Motor Housing Assembly	1
20	31101345G	Line Head	1
21	34109517G	Edger Wheel	1
22	33304517G	Cutting Blade	1
23	32901131G	Retaining Ring	1
24	34108517G	Guard	1
25	31109517G	Male Plug	1