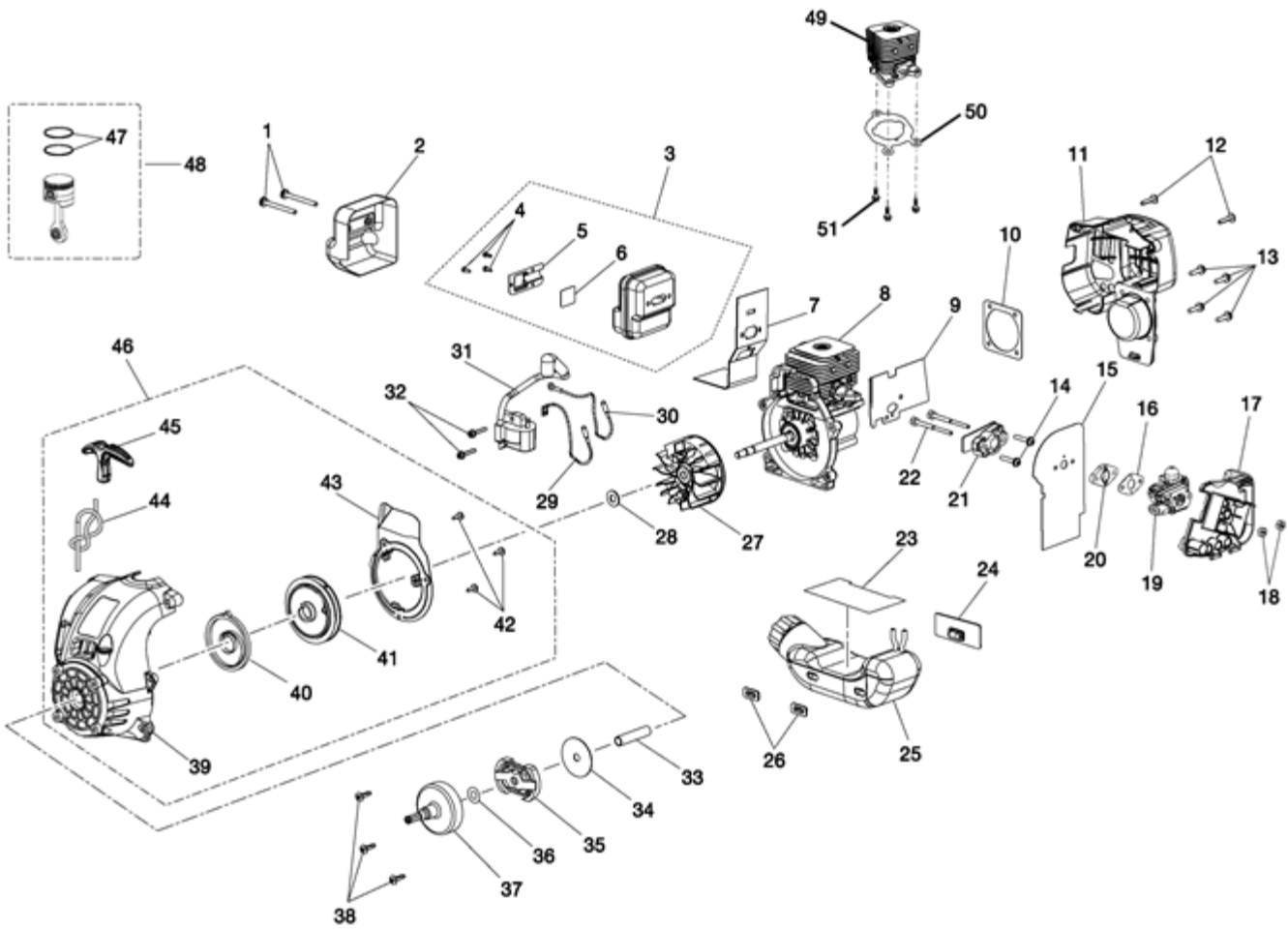


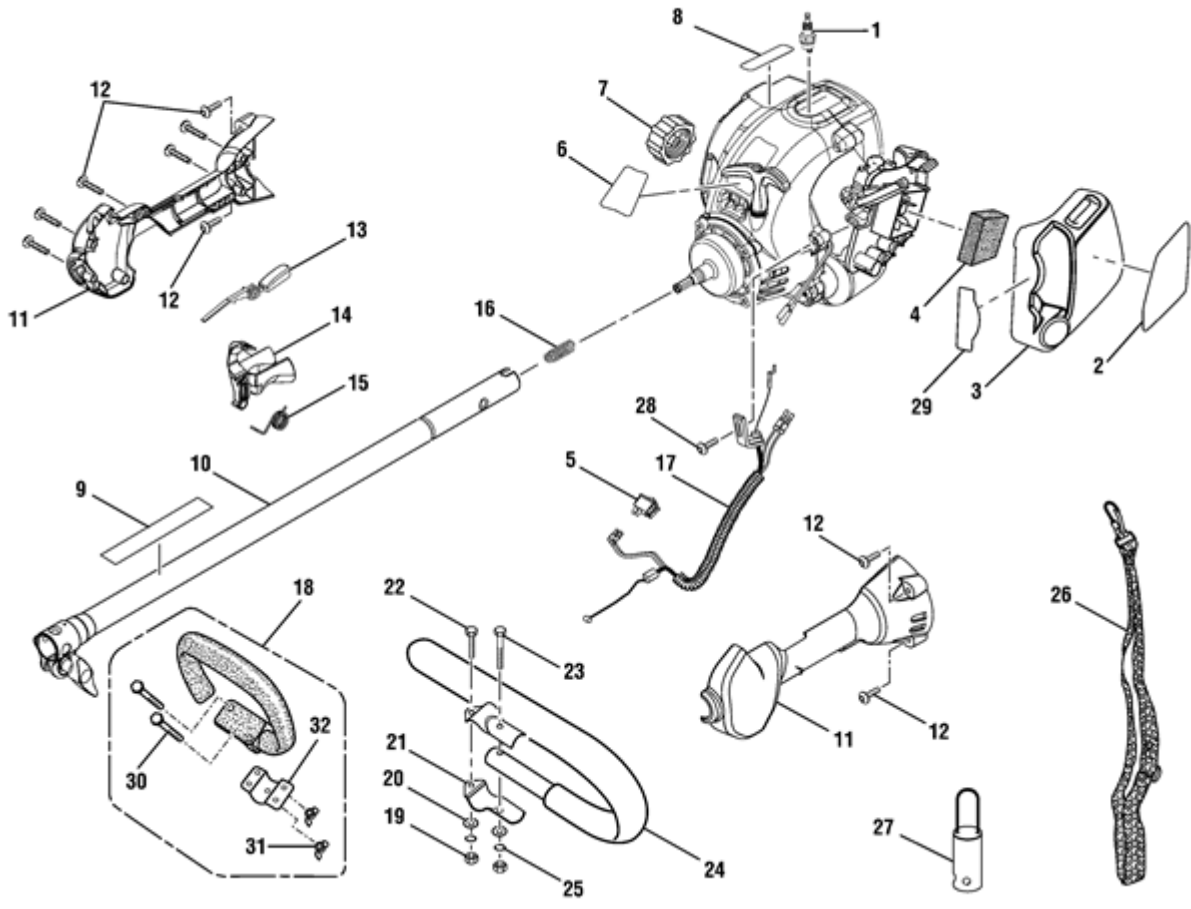
RYOBI 30cc STRING TRIMMERS AND BRUSHCUTTERS
MODEL NUMBERS - RY30220/A/B, RY30240/B, RY30260/B



Ref #	Part #	Description	Qty	Context Note	Foot Note
1	660638003	SCREW (10-24 X 2-1/8 in. TORX TR. HD.)	2	Purchase locally	
2	638094001	HEAT SHIELD	1		
3	308092008	MUFFLER ASSEMBLY	1		
4	660870001	SCREW (RECESSED PAN HD.)	3		
5	638044001	OUTLET TUBE	1		
6	638268001	SCREEN	1		
7	900994006	MUFFLER GASKET	1		
8	308192004	SHORT BLOCK ASSEMBLY (30 cc)	1	EXTERNAL GASKETS NOT INCLUDED	
9	900994010	INTAKE GASKET	1		
10	900954001	COVER GASKET	1		
11	518107003	REAR HOUSING	1		
12	660674001	SCREW (10-14 X 7/8 in. TRUSS HD. T.F.)	2	Purchase locally	
13	660638004	SCREW W/LOCK WASHER (10-24 X 3/4 in. PAN HD. TORX)	4	Purchase locally	
14	660662001	SCREW (PAN HD.)	2		
15	900740002	CARBURETOR GASKET	1		
16	900994004	CARBURETOR GASKET (NON-STRATO)	1		
17	518094001	AIR FILTER BASE	1		
18	678027001	LOCK NUT (10-24)	2	Purchase locally	
19	308054004	CARBURETOR ASSEMBLY	1		
20	590456003	SPACER	1		
21	518070001	HEAT DAM	1		
22	660346002	CARBURETOR MOUNTING BOLT (#10 X 2-1/2 in.)	2		
23	900999002	TANK INSULATION GASKET	1		
24	570549001	RUBBER BUMPER	1		
25	308181005	FUEL TANK ASSEMBLY W/CAP	1		
26	570256001	BUMPER	2		
27	308433001	ROTOR W/PAWLS ASSEMBLY	1		
28	650017001	WASHER	1		
29	290222001	LEAD W/TERMINALS	1		
30	290223001	LEAD W/TERMINALS	1		
31	308389002	IGNITION MODULE W/3 SEC. KILL SWITCH	1		
32	660660001	SCREW (THD FORMING)	2		
33	638091002	SPACER TUBE	1		

Ref #	Part #	Description	Qty	Context Note	Foot Note
34	638090001	WASHER (PKG)	1		
35	300960002	CLUTCH ASSEMBLY	1		
36	678257001	CLUTCH WASHER	1		
37	308177001	DRUM AND CONNECTOR	1		
38	660630002	SCREW (10-24 X 3/4 in.)	3	Purchase locally	
39	308436001	STARTER HOUSING AND EYELET ASSEMBLY	1		
40	638033001	SPRING AND CONTAINER	1		
41	308374001	STARTER PULLEY ASSEMBLY	1		
42	660694001	SCREW (THREAD FORMING)	3		
43	638229001	BAFFLE/ISOLATOR	1		
44	900849002	STARTER ROPE 42 (PKG)	1		
45	511731001	STARTER GRIP	1		
46	308194004	STARTER HOUSING ASSEMBLY	1		
47	690161005	PISTON RING	2		
48	308023003	PISTON W/ROD ASSEMBLY	1		
49	640069002	CYLINDER, 30CC	1		
50	900953001	CYLINDER GASKET	1		
51	660342002	SCREW (M5 X 20 mm)	3		

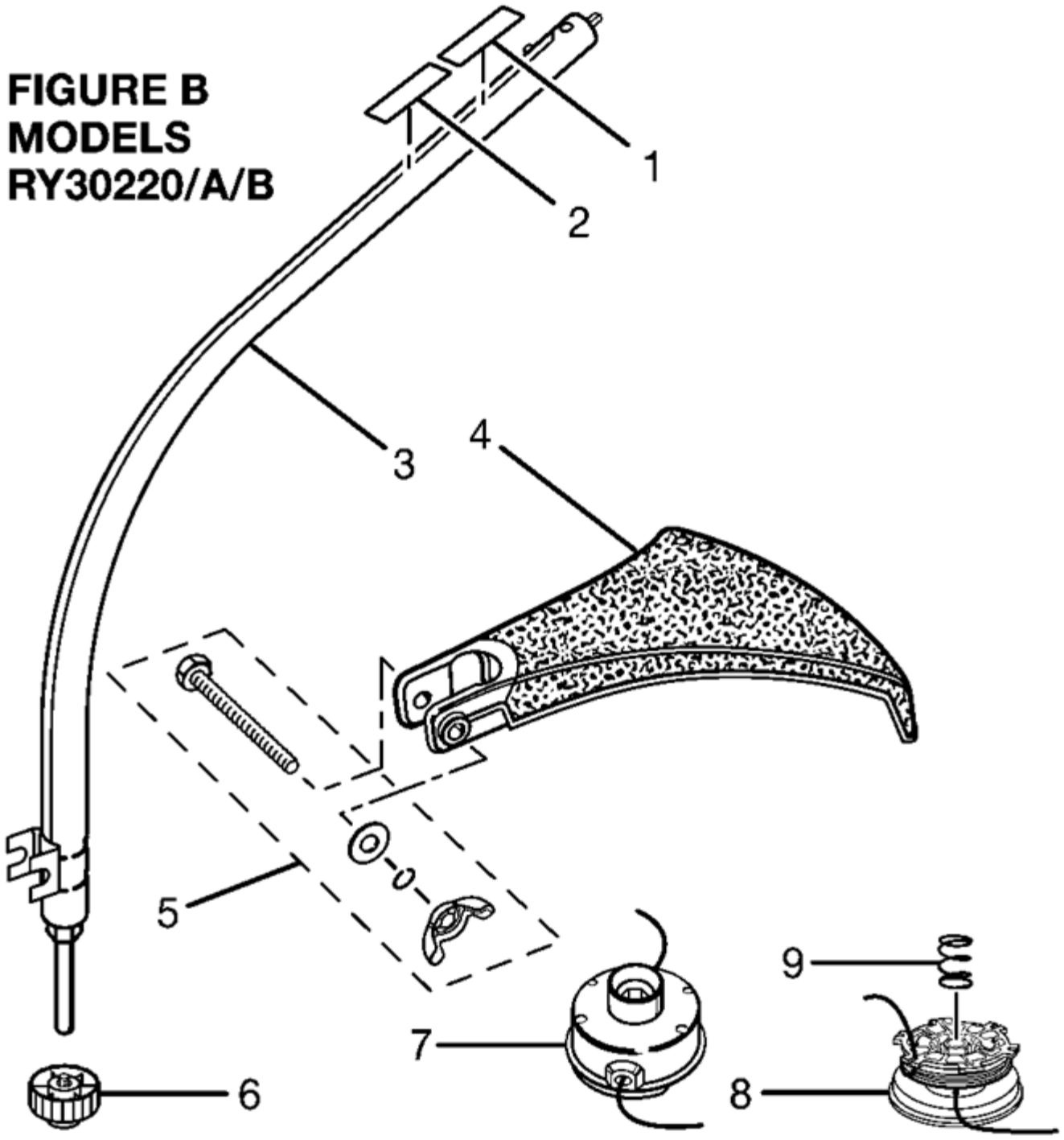
RYOBI 30cc STRING TRIMMERS AND BRUSHCUTTERS
MODEL NUMBERS - RY30220/A/B, RY30240/B, RY30260/B



Ref #	Part #	Description	Qty	Context Note	Foot Note
1	870170001	SPARK PLUG	1	(CHAMPION RCJ4); PURCHASE LOCALLY FROM RETAILER WHERE UNIT WAS PURCHASED.	
2	940967004	STARTING LABEL	1		
3	518096001	AIR BOX COVER	1		
4	900952001	AIR FILTER ELEMENT	1		
5	760363002	SWITCH (MOMENTARY CONTACT)	1		
6	940627021	MODEL LABEL (CS30)	1		
	940627022	MODEL LABEL (SS30)	1		
	940627023	MODEL LABEL (BC30)	1		
7	300758006	FUEL CAP ASSEMBLY	1		
8	940299600	LOGO PLATE	1		
9	940230132	WARNING DECAL (CS30 AND SS30)	1		
	940627027	WARNING DECAL (BC30)	1		
10	000998237	UPPER BOOM ASSEMBLY			
	000998353	(CS30 AND SS30)	1		
	000998238	UPPER BOOM ASSEMBLY			
	000998354	UPPER (BC30)	1		
11	000998236	CONTROL HANDLE ASSEMBLY	1		
12	660618002	SCREW (10-14 X 1 in.)	9	PURCHASE LOCALLY FROM RETAILER WHERE UNIT WAS PURCHASED.	
13	518011002	TRIGGER LOCK	1		
14	518012002	TRIGGER	1		
15	678021001	TORSION SPRING	1		
16	678252001	COMPRESSION SPRING	1		
17	308439001	THROTTLE AND LEAD ASSEMBLY	1		
18	308472001	FRONT HANDLE ASSEMBLY (CS30 AND SS30)	1		
19	678016001	HEX NUT (1/4-20) (BC30)	2	PURCHASE LOCALLY FROM RETAILER WHERE UNIT WAS PURCHASED.	
20	678013001	WASHER (BC30)	2		

Ref #	Part #	Description	Qty	Context Note	Foot Note
21	638014001	HANDLE BAR CLAMP (BC30)	2		
22	660643002	BOLT (1/4-20 X 1 in. HEX HD.) (BC30)	1	PURCHASE LOCALLY FROM RETAILER WHERE UNIT WAS PURCHASED.	
23	660643001	BOLT (1/4-20 X 1-1/2 in. HEX HD.) (BC30)	1	PURCHASE LOCALLY FROM RETAILER WHERE UNIT WAS PURCHASED.	
24	308046001	"J" HANDLE AND GRIP (BC30)	1		
25	678012001	LOCK WASHER (BC30)	2		
26	308487001	SHOULDER STRAP (BC30)	1		
27	518019001	HANGER CAP	1		
28	660616001	SCREW (10-24 X 7/8 in.)	1	PURCHASE LOCALLY FROM RETAILER WHERE UNIT WAS PURCHASED.	
29	940330006	CHOKE LABEL	1		
30	660881001	BOLT (M5 X 30 mm HEX HD.) (CS30 AND SS30)	2	PURCHASE LOCALLY FROM RETAILER WHERE UNIT WAS PURCHASED.	
31	678256001	WING NUT (M5)	2	PURCHASE LOCALLY FROM RETAILER WHERE UNIT WAS PURCHASED.	
32	638008001	HANDLE BAR CLAMP (CS30 AND SS30)	1		
	983000993	OPERATOR'S MANUAL			

FIGURE B
MODELS
RY30220/A/B



Ref #	Part #	Description	Qty	Context Note	Foot Note
1	940627024	Expand-it Label	1		
2	940230132	Warning Decal	1		
3	000998239	Curved Shaft Assembly	1	Incl. 1,2	
4	308052001	Grass Deflector	1		
5	120650001	Fastener Kit	1		
6	308042002	Spool Retainer (Black)	1		
7	000998230	Complete String Head (.080 in.)	1	Incl. 6,8,9	
8	308044002	Spool and String (.080 in.)	1		
9	678022001	Compression Spring	1		