

**RYOBI**  
**37cc CHAIN SAWS**  
**MFG NO. 090180501 and 090180502**  
**ITEM NO. RY3714 and RY3716**  
**REPAIR SHEET**

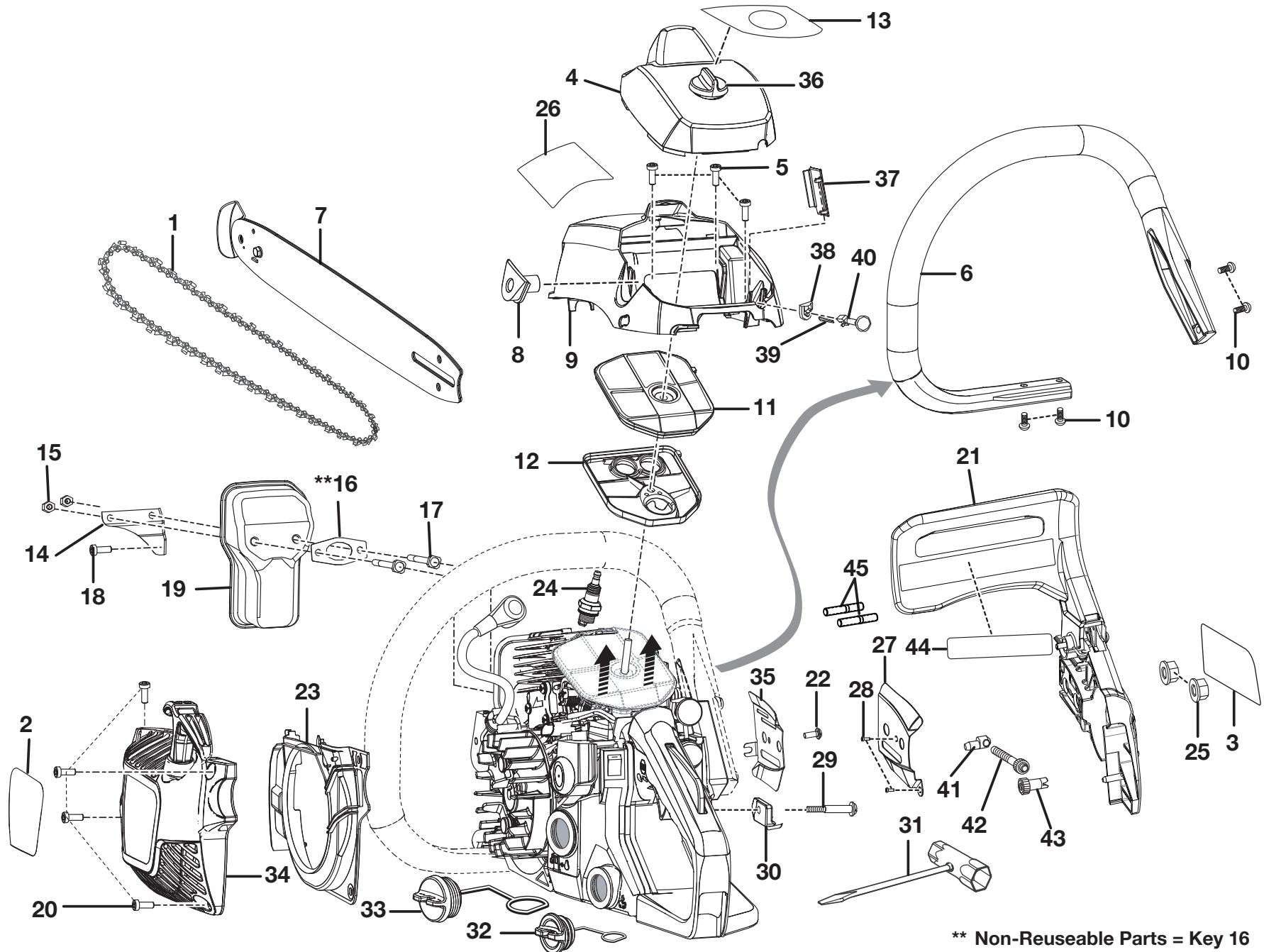
**Techtronic Industries Power Equipment**

P.O. Box 1288, Anderson, SC 29622

Phone 1-800-860-4050

[www.ryobitools.com](http://www.ryobitools.com)

RYOBI 37cc CHAIN SAW – MODEL NUMBERS RY3714 & RY3716



## RYOBI 37cc CHAIN SAW – MODEL NUMBERS RY3714 & RY3716

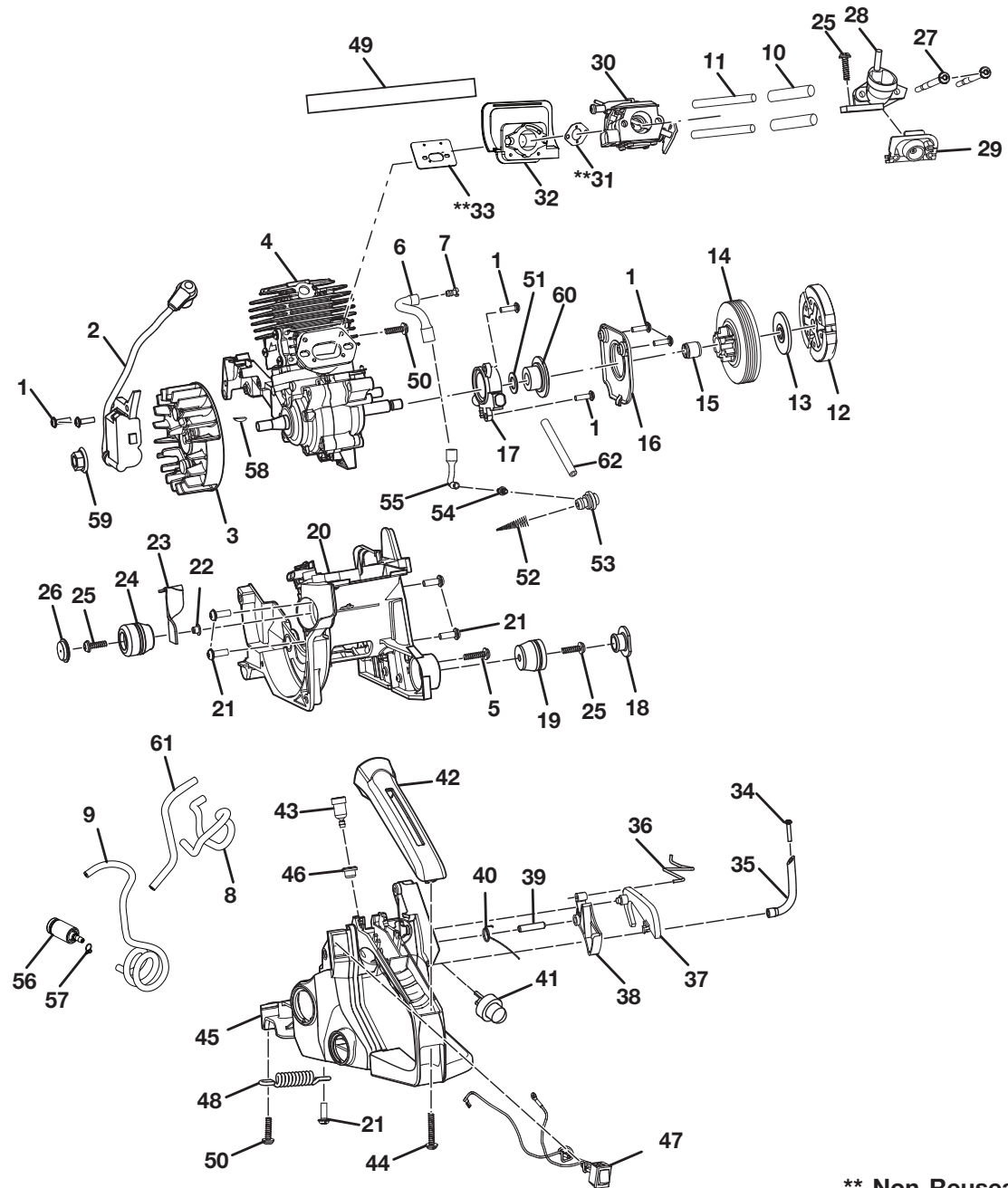
The model number will be found on a label attached to the rear handle assembly. Always mention the model number in all correspondence regarding your **CHAIN SAW** or when ordering repair parts.

### PARTS LIST

KEY NO.	PART NUMBER	DESCRIPTION	QTY	KEY NO.	PART NUMBER	DESCRIPTION	QTY
1	901212004	14 in. Chain (RY3714, 52 Drive Link).....	1	25	678339003	Flange Nut (5/16-18) .....	2
	901361002	16 in. Chain (RY3716, 56 Drive Link).....	1	26	940851095	Warning Label .....	1
2	940705304	Recoil Housing Label (RY3714).....	1	27	638298001	Outer Guide Plate.....	1
	940705320	Recoil Housing Label (RY3716).....	1	28	660922001	Screw (M4 x 12mm, T20 Torx Hd.).....	2
3	940705305	Clutch Cover Label.....	1	29	T660931001	Screw (M5 x 33 mm, T25 Torx Hd.).....	1
4	518418006	Air Cleaner Cover .....	1	30	631035004	Chain Guide .....	1
5	660918001	Screw (M5 x 19 mm, T25 Torx Hd.).....	3	31	631055005	Combination Wrench .....	1
6	518691001	Front Handle.....	1	32	308612006	Oil Cap Assembly.....	1
7	311482001	14 in. Guide Bar Assembly (RY3714) .....	1	33	308611005	Fuel Cap Assembly .....	1
	311482002	16 in. Guide Bar Assembly (RY3716) .....	1	34	308542008	Starter Housing Assembly .....	1
8	518427002	Grommet (Idle Adjust) .....	1	35	638309001	Inner Guide Plate .....	1
9	518425006	Cylinder Cover.....	1	36	518419004	Knob Cover .....	1
10	660918002	Screw (M5 x 27 mm, T25 Torx Hd.).....	4	37	518426001	Cylinder Cap.....	1
11	518423002	Air Cleaner (Upper).....	1	38	518416001	Choke Rod Grommet .....	1
12	518421002	Air Cleaner (Lower).....	1	39	631034001	Pin .....	1
13	940657181	Starting Label (RY3714).....	1	40	518415004	Choke Rod .....	1
	940657191	Starting Label (RY3716).....	1	41	678327001	Adjusting Nut.....	1
14	638293004	Muffler Bracket.....	1	42	610623001	Adjusting Screw .....	1
15	678311001	Nut (Muffler).....	2	43	610624001	Adjusting Gear.....	1
16	901380001	** Gasket (Muffler).....	1	44	940851096	Chain Brake Label.....	1
17	660915001	Bolt (Muffler, M5 x 62 mm) .....	2	45	660503006	Bar Stud (5/16-18 x 23.5 mm / 5/16-18 x 18 mm).....	2
18	660917002	Screw (M5 x 14 mm, T25 Torx Hd.).....	1		<b>Not shown:</b>		
19	309377002	Muffler .....	1		580438012	14 in. Scabbard (RY3714)	
20	660637001	Screw (10-14 x 22 mm, T25 Torx Truss Hd.).....	4		580699012	16 in. Scabbard (RY3716)	
21	311466001	Clutch Cover Assembly.....	1		308552005	Carrying Case	
22	660916001	Screw (M4 x 10 mm, T20 Torx Hd.).....	1		991000499	Operator's Manual (960087109)	
23	518440002	Baffle .....	1		4-27-18		
24	870174005	Spark Plug (Bosch WSR6F) .....	1		(Rev:05)		
	870174002	Spark Plug (Torch L7RTC).....	1				

\*\* Non-Reusable Parts = Key 16

# RYOBI 37cc CHAIN SAW – MODEL NUMBERS RY3714 & RY3716



\*\* Non-Reuseable Parts = Keys 31 and 33

## RYOBI 37cc CHAIN SAW – MODEL NUMBERS RY3714 & RY3716

The model number will be found on a label attached to the rear handle assembly. Always mention the model number in all correspondence regarding your **CHAIN SAW** or when ordering repair parts.

### PARTS LIST

KEY NO.	PART NUMBER	DESCRIPTION	QTY	KEY NO.	PART NUMBER	DESCRIPTION	QTY
1	660916003	Screw (M4 x 14 mm, T20 Torx Hd.)	6	32	518864001	Heat Dam	1
2	309266001	Ignition Assembly	1	33	903037002	** Heat Dam Gasket	1
3	309001001	Flywheel Assembly	1	34	660919001	Screw	1
4	309893004	Short Block (Incl. Key Nos. 1-3, and 58-59)	1	35	561451001	Breather Pipe	1
5	660918001	Screw (M5 x 19 mm, T25 Torx Hd.)	1	36	638295001	Throttle Rod	1
6	563968003	Hose (Oil Pump Outlet)	1	37	518428004	Safety Rock Arm	1
7	518411001	Pin (Oil Pump Outlet)	1	38	518466004	Throttle Trigger	1
8	570373017	Fuel Hose (Primer Bulb to Tank, 153 mm)	1	39	638296001	Spring Pin	1
9	562967003	Fuel Hose	1	40	678325001	Throttle Spring	1
10	903166002	Fiberglass Sleeve	2	41	300780002	Primer Assembly	1
11	528789001	Plastic Tube (Carburetor Screw, 52 mm)	2	42	518429001	Grip Cover	1
12	310535001	Clutch Assembly	1	43	308583001	Breather Assembly	1
13	678313001	Plate for Clutch Assembly	1	44	660918002	Screw (M5 x 27 mm, T25 Torx Hd.)	1
14	309418001	Drum	1	45	308550008	Rear Handle Assembly	1
15	681933001	Bearing	1	46	561425001	Breather Grommet	1
16	518414001	Oil Pump Cover	1	47	760961003	Stop Switch Assembly	1
17	309516001	Oil Pump	1	48	678321001	Spring	1
18	518434001	Damper Cap	1	49	900850003	Foam Seal	1
19	561426001	Damper	1	50	660918004	Screw (M5 x 19 mm, T25 Torx Hd.)	2
20	518442006	Engine Case	1	51	638289001	Washer (Oil Pump Drive Gear)	1
21	660917002	Screw (M5 x 14 mm, T25 Torx Hd.)	5	52	678407001	Cone Spring	1
22	678320001	Eyelet	1	53	561421001	Grommet	1
23	901376001	Stopper	1	54	518413001	Joint	1
24	561428001	Damper	1	55	561449001	Rubber Pipe In Oil Pump	1
25	660918003	Screw (M5 x 16 mm, T25 Torx Hd.)	3	56	300759005	Fuel Filter	1
26	518435001	Damper Cap	1	57	690699001	Fuel Pipe Clip	1
27	660921003	Bolt (M4 x 70 mm, T25 Torx Hd. Carburetor)	2	58	690688001	Woodruff Key	1
28	518465001	Intake Manifold	1	59	690689001	Nut	1
29	518417001	Throttle Rod Grommet	1	60	518865001	Oil Pump Drive Gear	1
30	309376002	Carburetor Assembly	1	61	570373019	Fuel Hose (Primer Bulb to Carburetor, 160 mm)	1
31	901379001	** Gasket	1	62	536968003	Hose (Oil Pump Outlet)	1

\*\* Non-Reuseable Parts = Keys 31 and 33