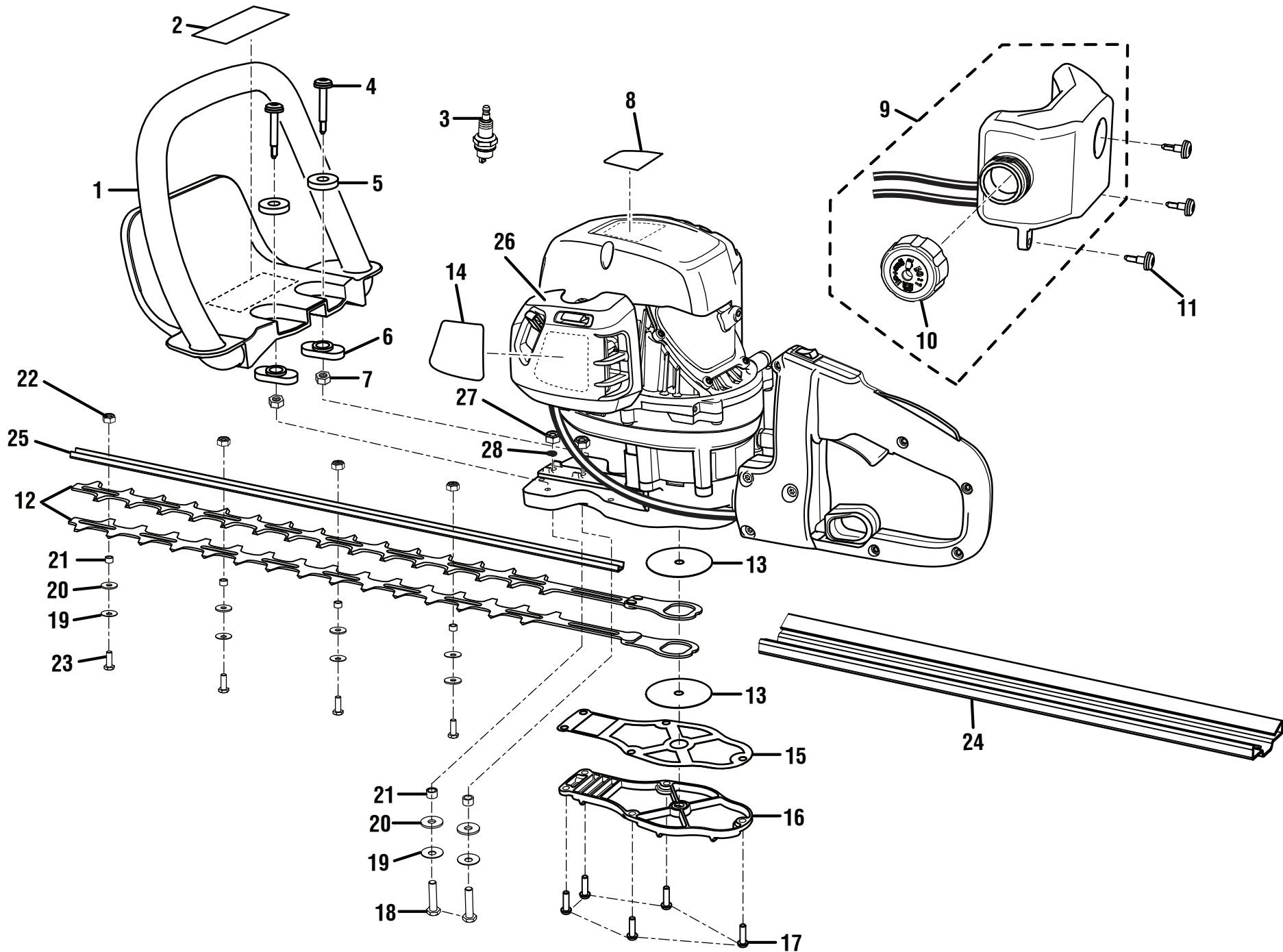


RYOBI HEDGE TRIMMER - RY39505



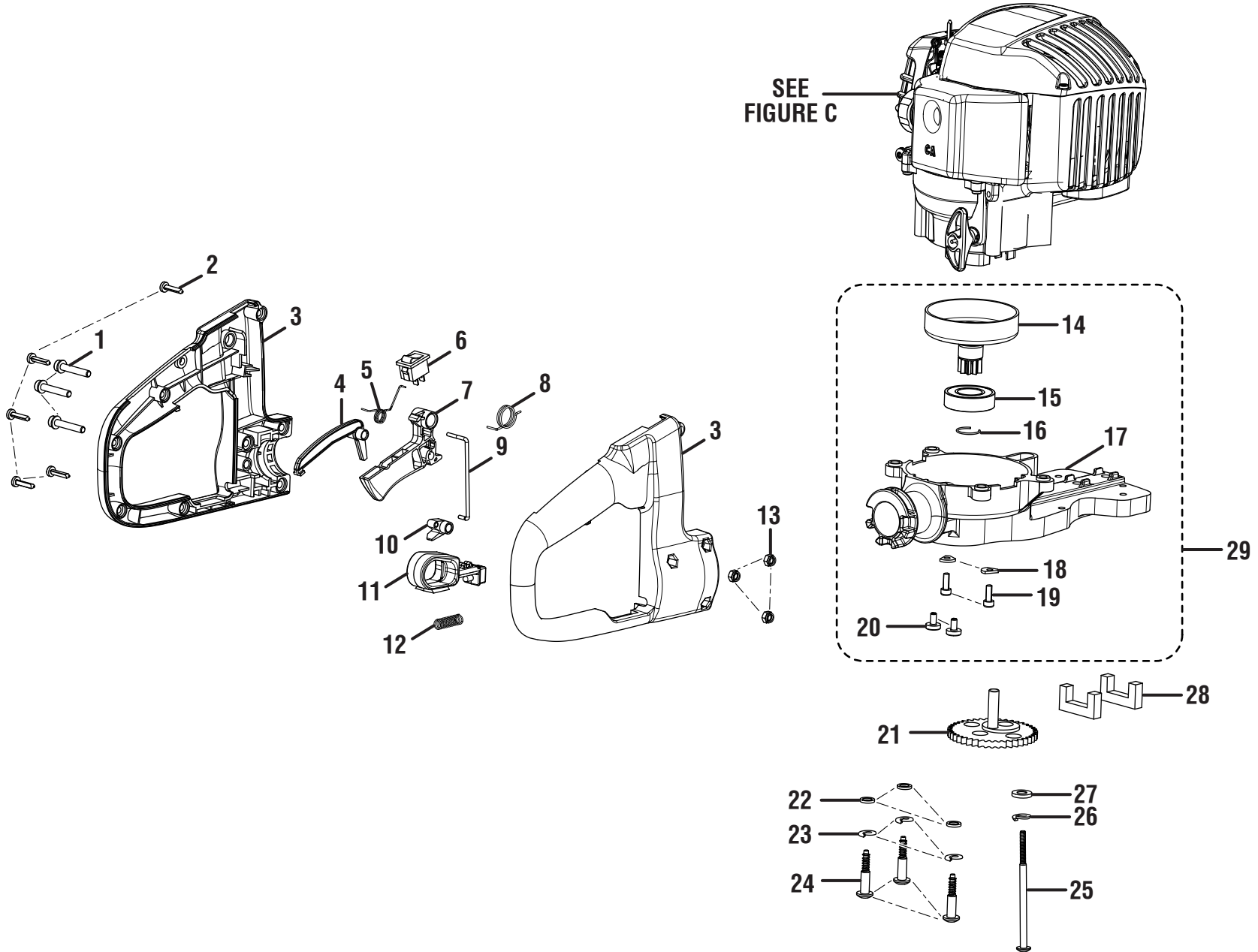
RYOBI HEDGE TRIMMER – RY39505

PARTS LIST

KEY NO.	PART NUMBER	DESCRIPTION	QTY
1	120900035	Front Handle (Inc. Key No. 2)	1
2	940964006	Warning Label	1
3	870174001	* Spark Plug (Champion RCJ6Y)	1
4	660788004	Screw (M5 x 26 mm)	2
5	561960001	Washer	2
6	561961001	Isolator.....	2
7	678509001	Lock Nut (M5 x 0.8 mm).....	2
8	940640014	Logo Label.....	1
9	308675040	Fuel Tank Assembly (Inc. Key No. 10)	1
10	310817004	Fuel Cap	1
11	660970002	Screw (M4)	3
12	308548011	Blade Assembly.....	1
13	638659003	Washer	2
14	940686026	Starting Label	1
15	901659001	Seal.....	1
16	T308233001	Cover	1
17	660788003	Screw (M5 x 17.5 mm)	5
18	660722002	Screw (M6 x 26 mm)	2
19	678433003	Washer	6
20	678587001	Washer	6
21	638668001	Spacer	6
22	678490002	Lock Nut (M5).....	4
23	660722001	Screw (M6 x 17 mm)	4
24	518921002	Scabbard.....	1
25	638665002	Blade Top Strap.....	1
26	518777009	Air Box Cover	1
27	678460002	Lock Nut (M6).....	2
28	678433004	Spring Washer	2
	NOT SHOWN:		
	988000847	Operator's Manual (960970019)	
	12-21-12		
	(Rev:02)		

* Standard Hardware Item – May Be Purchased Locally

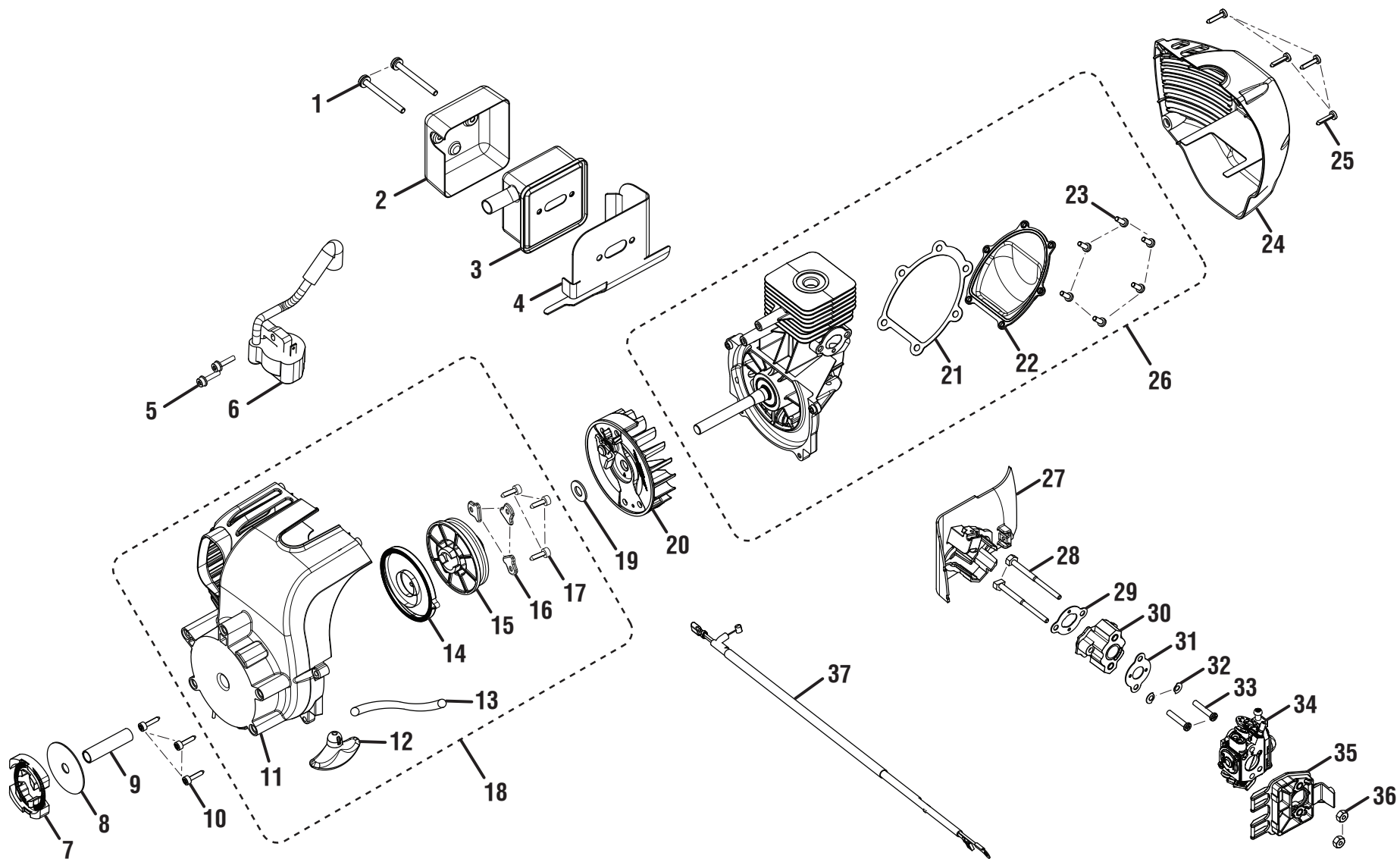
RYOBI HEDGE TRIMMER – RY39505



PARTS LIST (FIGURE B)

KEY NO.	PART NUMBER	DESCRIPTION	QTY	KEY NO.	PART NUMBER	DESCRIPTION	QTY
1	660927005	Screw (M5 x 28 mm)	3	16	678187002	C-Ring	1
2	660466001	Screw (M4 x 18 mm)	5	17	640115001	Gear Box	1
3	120900033	Rear Handle Housing Assembly.....	1	18	638553001	Washer	2
4	518903001	Interlock Level	1	19	661559001	Screw (M4 x 11 mm)	2
5	678542002	Trigger Lock Spring	1	20	660925004	Screw (M4 x 12 mm)	2
6	760700002	Switch.....	1	21	308993002	Big Gear Assembly.....	1
7	518902001	Throttle Trigger	1	22	638554001	Washer	3
8	678582001	Trigger Spring.....	1	23	678433004	Spring Washer	3
9	678583001	Lock Level	1	24	660723001	Screw (M5 x 27 mm)	3
10	518913001	Rotate Level	1	25	660724001	Screw (M4 x 80 mm)	1
11	518904001	Rotate Lock Puller.....	1	26	678343002	Spring Washer.....	1
12	678542003	Rotate Lock Spring	1	27	638554002	Washer	1
13	678509001	Hex Nut (M5 x 0.8 in.).....	3	28	901665001	Felt Seal.....	2
14	308794003	Clutch Drum Assembly.....	1	29	308232001	Gear Box Assembly (Inc. Key Nos. 14-20).....	1
15	638660001	Ball Bearing (6003ZZ).....	1				

RYOBI HEDGE TRIMMER – RY39505



RYOBI HEDGE TRIMMER – RY39505

PARTS LIST (FIGURE C)

KEY NO.	PART NUMBER	DESCRIPTION	QTY	KEY NO.	PART NUMBER	DESCRIPTION	QTY
1	660653008	Screw (10-24 x 2-1/8 in.).....	2	19	650017001	Washer	1
2	638442002	Heat Shield (Muffler).....	1	20	308811004	Flywheel Assembly.....	1
3	308990039	Muffler Assembly.....	1	21	901550001	Crankcase Cover Gasket	1
4	901452008	Muffler Gasket.....	1	22	638337005	Crankcase Cover.....	1
5	660968001	Screw (M4 x 19 mm)	2	23	660925003	Screw (M4 x 12 mm)	6
6	850108015	Ignition Module.....	1	24	518907001	Upper Housing	1
7	300960002	Clutch Assembly	1	25	660466001	Screw (M4 x 18 mm)	4
8	638090001	Washer	1	26	309960014	Short Block Assembly (Inc. Key Nos. 21-23)	1
9	638284002	Spacer Tube	1	27	518916003	Baffle Plate	1
10	660970001	Screw (M4 x 16 mm)	3	28	660927004	Screw (M5 x 25 mm)	2
11	308980003	Lower Housing	1	29	901551001	Intake Gasket	1
12	518820001	Starter Grip.....	1	30	518920001	Heat Dam	1
13	900849002	Starter Rope	1	31	901552002	Heat Dam Gasket.....	1
14	638033001	Spring & Container Assembly	1	32	638659002	Washer	2
15	518501001	Starter Pulley.....	1	33	660927003	Screw (M5 x 58 mm)	2
16	638389001	Pulley Retainer	3	34	308054023	Carburetor	1
17	660967001	Screw (M4 x 14 mm)	3	35	518766001	Air Box Base.....	1
18	308981007	Lower Housing Start Assembly (Inc. Key Nos. 11-17).....	1	36	678027001	Hex Nut (10-24).....	2
				37	309998006	Throttle Cable And Lead Wire Assembly.....	1