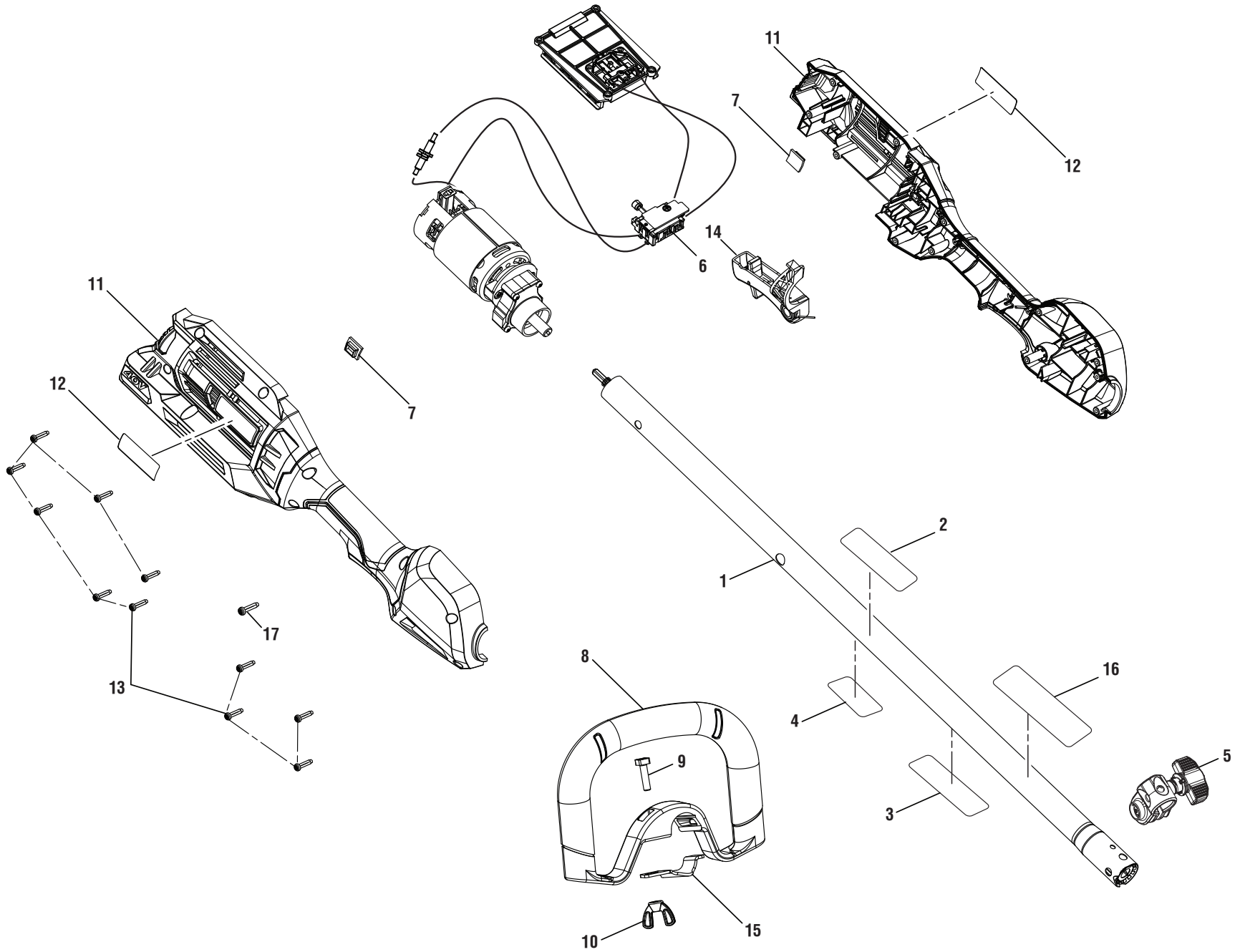


RYOBI
Power Head
Item No. RY40006
Mfg No. 314778001
Repair Sheet

TECHTRONIC INDUSTRIES POWER EQUIPMENT

P.O. Box 1288, Anderson, SC 29622
Phone 1-800-860-4050
www.ryobitools.com

RYOBI POWER HEAD – ITEM NO. RY40006



RYOBI POWER HEAD – ITEM NO. RY40006

The item and manufacturing number will be found on a label attached to the boom assembly. Always mention the item and manufacturing number of your **POWER HEAD** when requesting service or ordering repair parts.

PARTS LIST

KEY NO.	PART NUMBER	DESCRIPTION	QTY
1	314829001	Boom Assembly (Inc. Key Nos. 2-4 and 16)	1
2	941013004	Warning Icon Label	1
3	941013005	Warning Label (French/Spanish)	1
4	941588302	Data Label	1
5	314562001	Boom Clamp Assembly	1
6	314832001	Motor, Gear Box, Switch & Contact Plate Assembly	1
7	570115001	Rubber Plate	2
8	308056009	Front Handle Assembly (Inc. Key Nos. 9-10 & 15)	1
9	660857001	Screw (1/4-20 x 40 mm, Hex Hd.)	1
10	518949001	Wing Nut (1/4-20)	1
11	314830001	Rear Handle Assembly (Inc. Key No. 12)	1
12	940705432	Logo Label	2
13	661864007	Screw (M4 x 18 mm, T15 Torx Pan Hd.)	11
14	314833001	Switch Trigger Assembly	1
15	639167001	Assist Handle Clamp	1
16	941851150	Attachment Label	1
17	660031017	Screw (M3.5 x 16 mm, T10 Torx Pan Hd.)	1

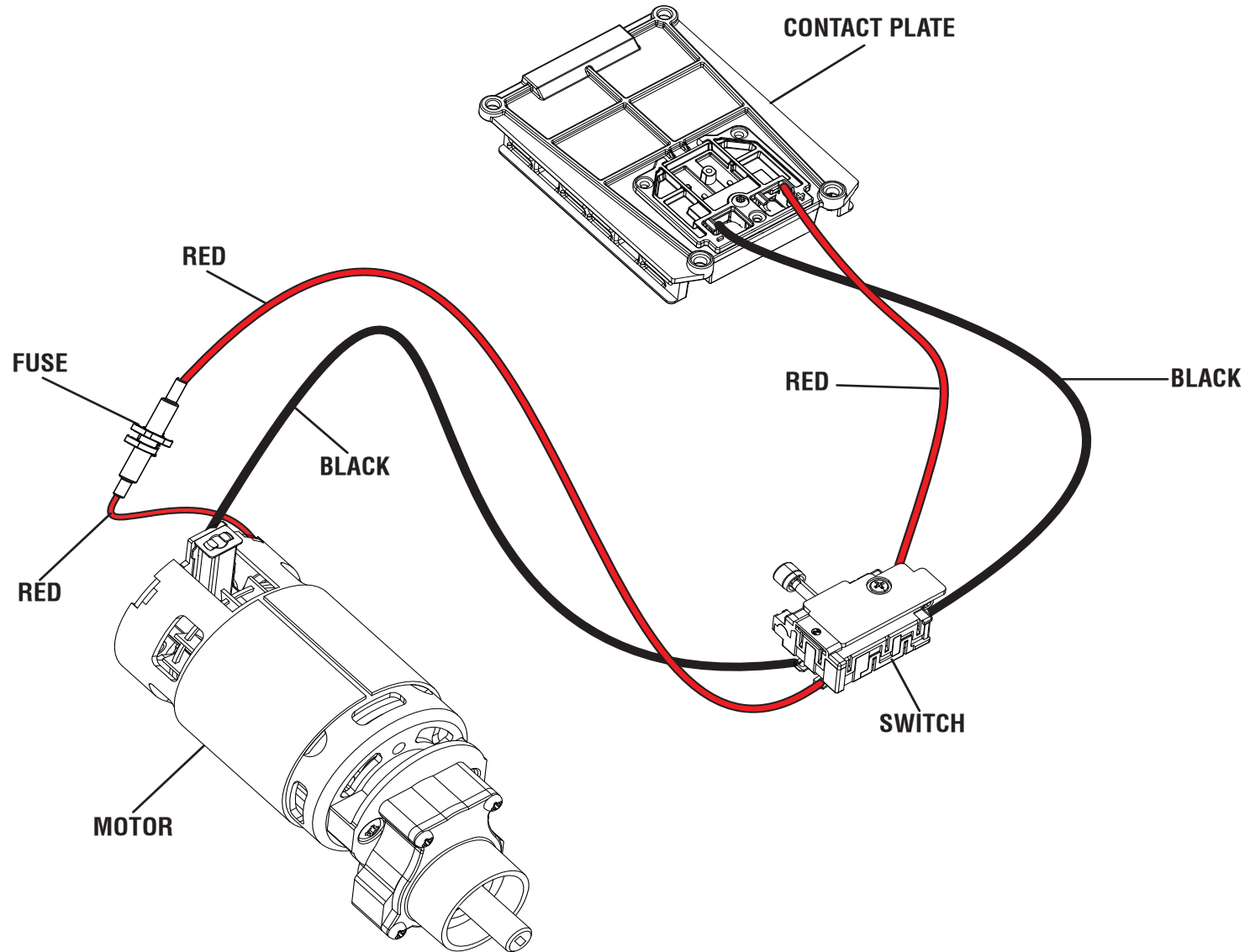
Not Shown

995000659 Operator's Manual

2-18-18

(Rev:02)

RYOBI POWER HEAD – ITEM NO. RY40006



WIRING DIAGRAM