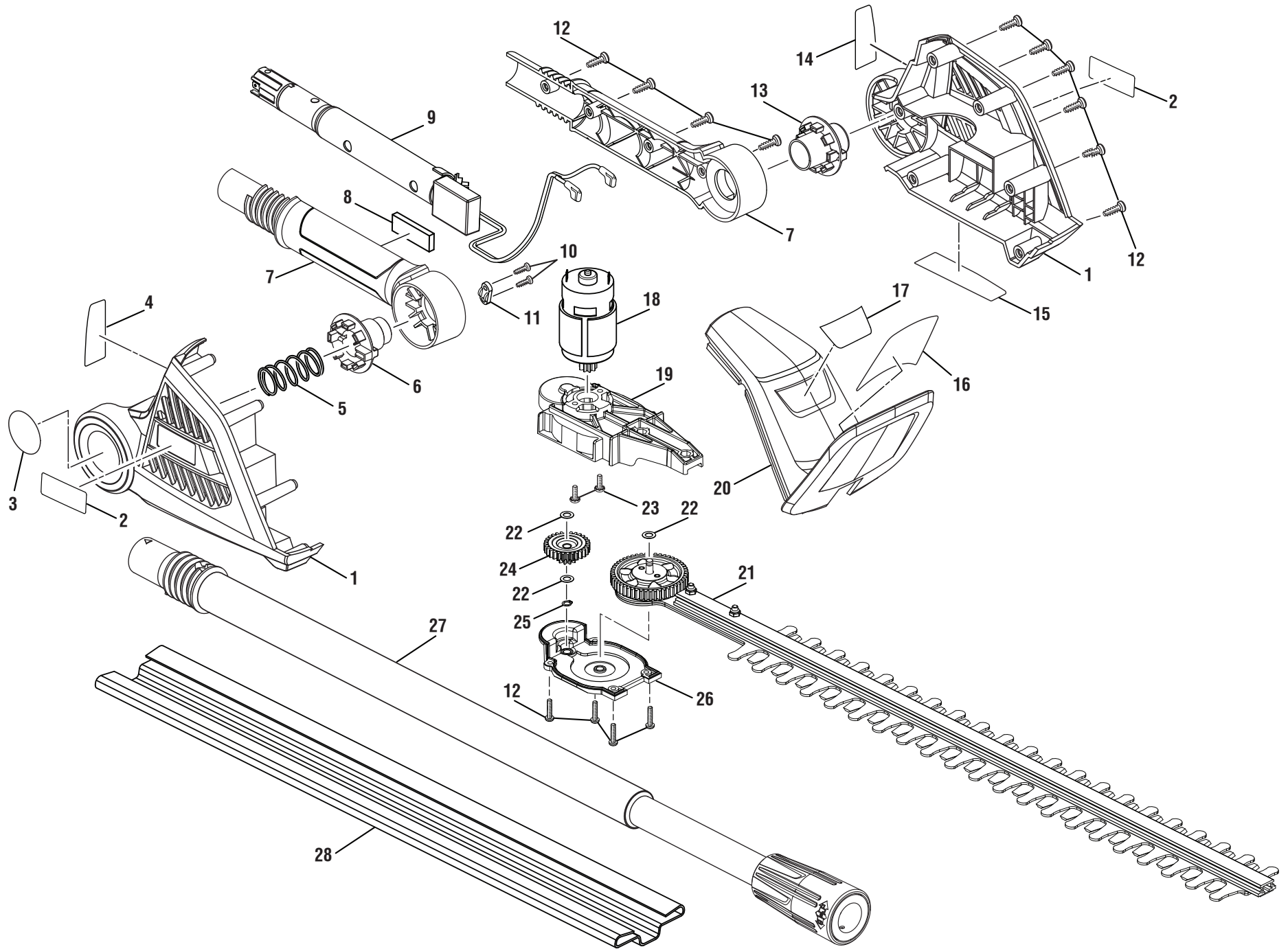


RY40060



RYOBI HEDGE TRIMMER ATTACHMENT – MODEL NO. RY40060

The model number will be found on a label attached to the motor housing. Always mention the model number of your **Hedge Trimmer Attachment** when requesting service or ordering repair parts.

KEY NO.	PART NUMBER	DESCRIPTION	QTY
1	311184001	Motor Housing Assembly	1
2	941652002	Logo Label.....	2
3	941780001	Pivot Label.....	1
4	940657095	Warning Icon Label (Left).....	1
5	679417001	Compression Spring (Pivot Button).....	1
6	525446001	Pivot Button (Right)	1
7	311182001	Pole Housing Assembly.....	1
8	570831002	Foam Pad	1
9	311183001	Lower Boom w/Circuit Board Assembly	1
10	660208005	Screw (M4 x 16 mm).....	1
11	523001001	Strain Relief	1
12	660208052	Screw (M4 x 16 mm, Pan Hd.).....	14
13	525447001	Pivot Button (Left).....	1
14	940657107	Warning Icon Label (Right)	1
15	940678300	Data Label	1
16	940875004	Shield Label.....	1
17	941616004	Connexion Label.....	1
18	311078001	Motor Assembly	1
19	311065001	Base Assembly	1
20	525445001	Motor Cover Assembly.....	1
21	311185001	Blade Assembly.....	1
22	670914001	Washer (M6, ID6.2 x 11OD x 0.3t)	3
23	660137001	Screw (M4 x 12 mm).....	2
24	610114001	Center Gear	1
25	670704001	Retaining Ring (External)	1
26	311066001	Gear Box Cover Assembly	1
27	311081001	Extended Boom Assembly	1
28	525406003	Scabbard	1
	NOT SHOWN		
	990000280	Operator's Manual	
	4-23-13		
	(Rev:01)		