

RYOBI
40 Volt Lawn Mower
Item No. RY40108
Mfg No. 107813013
Repair Sheet

Techtronic Industries Power Equipment

P.O. Box 1288
Anderson, SC 29622
Phone 1-800-860-4050
www.ryobitools.com

RYOBI LAWN MOWER - ITEM NO. RY40108

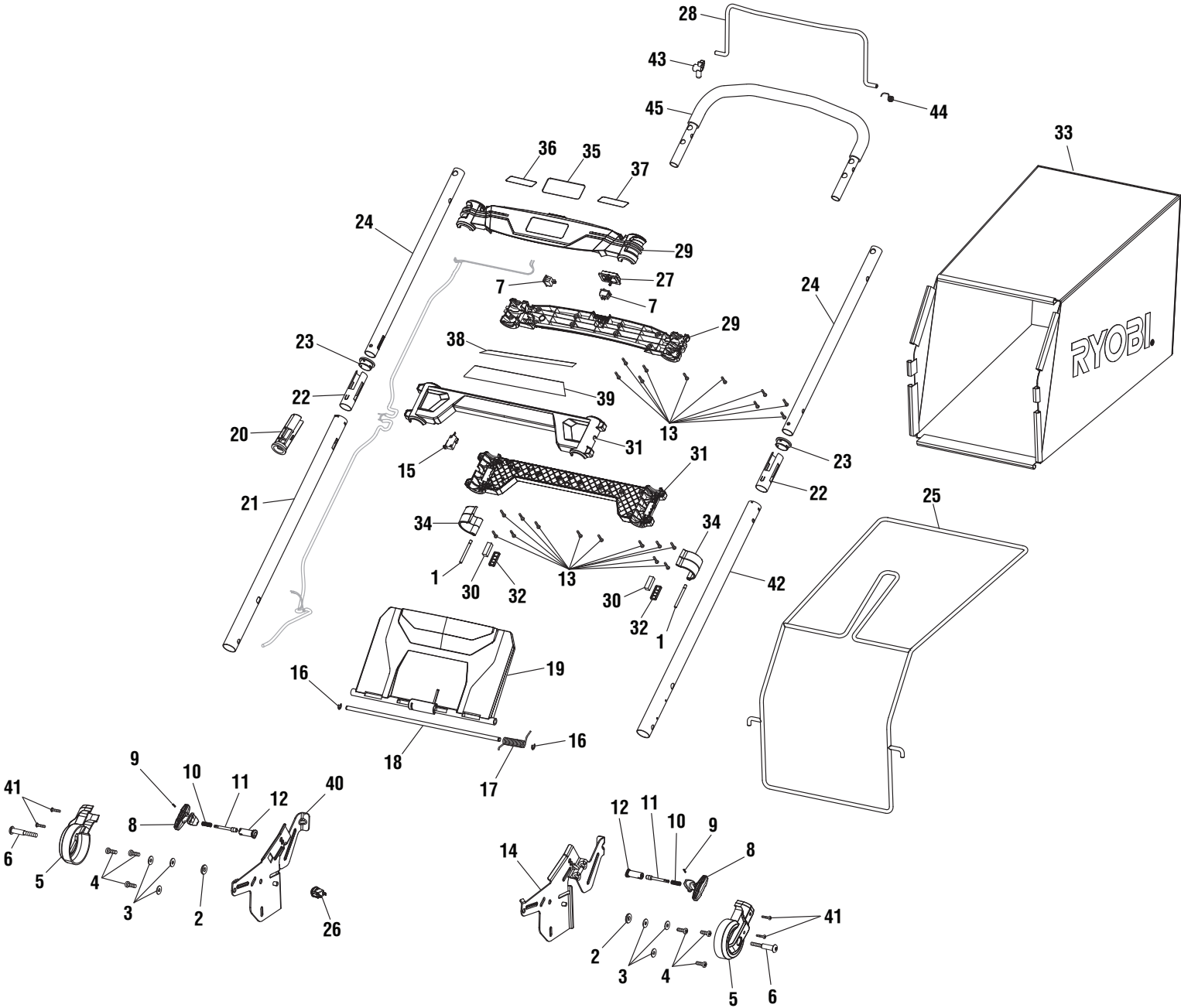


FIGURE A

RYOBI LAWN MOWER - ITEM NO. RY40108

The model number will be found on a label attached to the deck. Always mention the model number in all correspondence regarding your **LAWN MOWER** or when ordering replacement parts.

FIGURE A PARTS LIST

Key No.	Part Number	Description	Qty	Key No.	Part Number	Description	Qty
1	621895001	Pin (Handle Lock Clip)	2	26	760584001	Switch	1
2	636233001	Washer (ID8.5 x OD20.5 x 2t)	2	27	529261002	Safety Switch Cover	1
3	638387002	Washer (1/4 in.)	6	28	695004003	Bail Handle	1
4	664004003	Screw (1/4-15 x 22mm, T30 Torx Pan Hd.)	6	29	205045001	Upper Panel Assembly (Inc. Key Nos. 35-37)	1
5	529260001	Hinge Cover	2	30	563862001	Rubber Plate (Handle Lock Clip)	2
6	662324001	Shoulder Screw (M8 x 60 mm, T40 Torx Hd.)	2	31	205047001	Lower Panel Assembly (Inc. Key Nos. 38-39)	1
7	760961002	Switch	2	32	529298001	Block (Handle Lock Clip)	2
8	528361002	Adjustment Knob	2	33	970698004	Bag	1
9	673441001	Spring Pin	2	34	529293001	Handle Lock Clip	2
10	694490001	Compression Spring	2	35	940705322	Logo Label	1
11	673438001	Detent Pin	2	36	940851127	Start Label (Right)	1
12	642586001	Spring Pin Housing	2	37	940851133	Start Label (Left)	1
13	661189003	Screw (M4 x 18 mm, T20 Torx Pan Hd.)	22	38	940851128	Lithium Label	1
14	636779003	Height Adjustment Bracket (Left)	1	39	940851198	Handle Extended Label	1
15	760551002	Switch	1	40	637605003	Height Adjustment Bracket (Right)	1
16	670704001	E-Ring	2	41	660563002	Screw (M4 x 20 mm, T20 Torx Pan Hd.)	4
17	679076002	Torsion Spring (Rear Door)	1	42	695065001	Lower Handle Tube (Left)	1
18	635469002	Rear Door Axle	1	43	529011003	Actuator Switch	1
19	527478002	Rear Discharge Door	1	44	695036001	Torsion Spring	1
20	533467001	Switch Plug Housing	1	45	311313002	Upper Handle & Foam Grip Assembly	1
21	695001001	Lower Handle Tube (Right)	1	Not Shown:			
22	529328002	Handle Tube Bushing (Large)	2	991000664	Operator's Manual		
23	529327001	Handle Tube Bushing (Small)	2	9-9-19			
24	695002005	Upper Handle Tube	2	(Rev:01)			
25	635385006	Bag Frame	1				

RYOBI LAWN MOWER - ITEM NO. RY40108

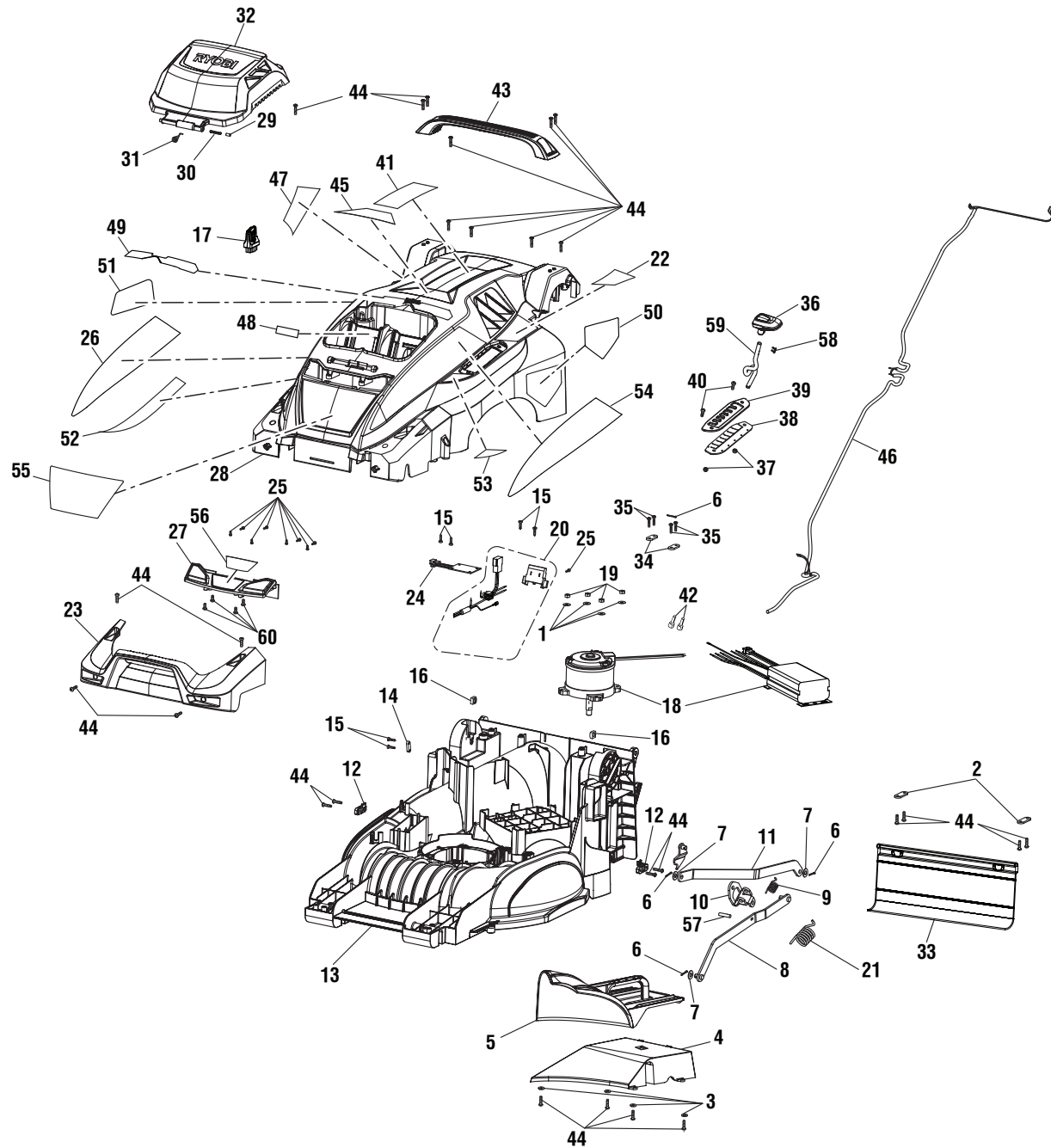


FIGURE B

RYOBI LAWN MOWER - ITEM NO. RY40108

The model number will be found on a label attached to the deck. Always mention the model number in all correspondence regarding your **LAWN MOWER** or when ordering replacement parts.

FIGURE B PARTS LIST

Key Part No. Number	Description	Qty	Key Part No. Number	Description	Qty		
1	638557001	Washer (ID6.2 x OD15 x 0.08t)	4	32	529259001	Battery Cover	1
2	639116003	Axle Pressure Plate	2	33	527549004	Rear Protective Guard	1
3	636062001	Washer (ID4.5 x OD10 x 1t)	4	34	639125002	Pressure Plate (Height Adjustment)	2
4	527548003	Baffle	1	35	661189003	Screw (M4 x 18 mm, T20 Torx Pan Hd.)	4
5	527556002	Mulching Plug	1	36	529656003	Height Adjust Handle	1
6	678279004	Cotter Pin	4	37	678509001	Hex Lock Nut (M5)	2
7	639013001	Washer (ID8.4 x OD18 x 1t)	3	38	563454001	Dust Gasket	1
8	635378005	Front Lift Rod	1	39	635382001	Height Adjustment Plate	1
9	679992001	Torsion Spring (Height Adjustment)	1	40	660713001	Screw (M5 x 16 mm, Soc. Hd.)	2
10	639203003	Height Adjustment Bracket	1	41	941107021	Bilingual Danger (French/Spanish) & Trilingual Warning (English/French/Spanish) Label	1
11	635379005	Rear Lift Rod	1	42	900876003	Screw Terminal	2
12	639116002	Axle Mount	2	43	529258001	Carrying Handle	1
13	529757002	Deck	1	44	660563002	Screw (M4 x 20 mm, T20 Torx Pan Hd.)	26
14	513211001	Cord Clip	2	45	941107020	Danger/Warning Icon Label (English)	1
15	660608002	Screw (M4 x 16 mm, T20 Torx Pan Hd.)	6	46	291556002	Wiring Harness	1
16	T662406001	Square Nut (M8)	2	47	941842015	40V Lithium Label	1
17	311280001	Start Key	1	48	941843005	On Board Battery Storage Label	1
18	312922011	Motor and Controller Assembly	1	49	941107015	Warning Label	1
19	680196006	Hex Nut (M6)	4	50	941641001	No Hands Label	1
20	205080001	Key Holder Assembly (Inc. Key No. 21)	1	51	941022004	Data Label	1
21	694052001	Retention Spring	1	52	941842004	RYOBI Label (Right)	1
22	941843004	Height Adjustment Label	1	53	941842007	Logo Label	1
23	529372001	Front Bumper	1	54	940705323	Brushless Label (Left)	1
24	280424002	Circuit Board	1	55	940705324	40V Brushless Logo Label	1
25	660203001	Screw (M3 x 8 mm, Pan Hd.)	9	56	940851129	LED Headlight Label	1
26	940851132	Brushless Label (Right)	1	57	639122001	Adjust Height Axle	1
27	205057001	Light Assembly (Inc. Key No. 56)	1	58	664021001	Screw (M3 x 10 mm)	2
28	120949001	Deck Cover (Inc. Key Nos. 22, 26, 41, 45 & 47-55)	1	59	637031003	Lift Arm	1
29	621628001	Axle	1	60	661189002	Screw (M4 x 10 mm, T15 Torx Pan Hd.)	4
30	679073001	Compression Spring	1				
31	679074002	Torsion Spring	1				

RYOBI LAWN MOWER - ITEM NO. RY40108

The model number will be found on a label attached to the deck. Always mention the model number in all correspondence regarding your **LAWN MOWER** or when ordering replacement parts.

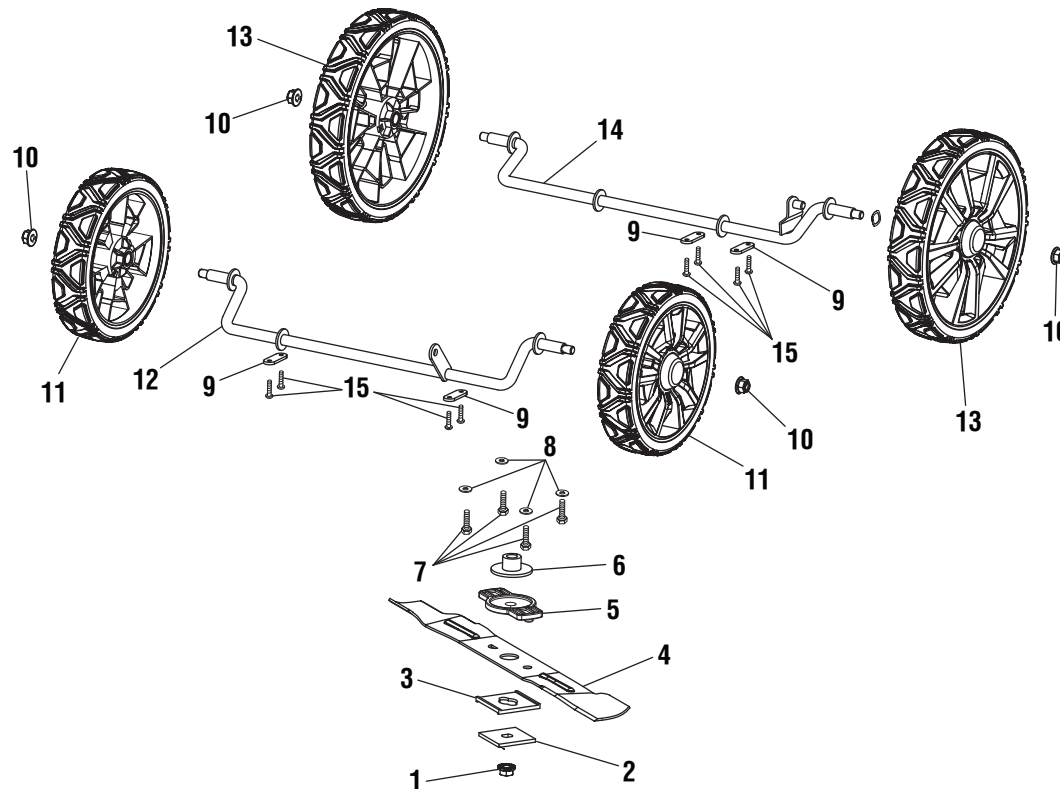
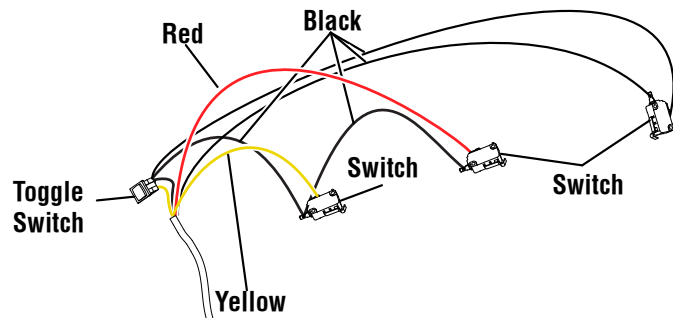


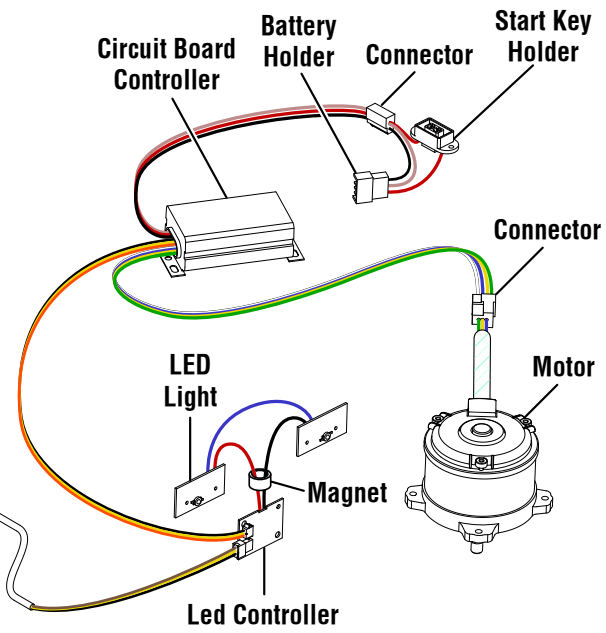
FIGURE C

Key No.	Part Number	Description	Qty	Key No.	Part Number	Description	Qty
1	679075001	Hex Nut (M10, Flange)	1	9	639116003	Axle Pressure Plate	4
2	639118001	Blade Retainer	1	10	678774012	Lock Nut (M8, Flange)	4
3	526920002	Spacer	1	11	330073003	Front Wheel Assembly	2
4	682162001	Blade	1	12	696316001	Front Wheel Axle	1
5	535080001	Blade Holder	1	13	330072002	Rear Wheel Assembly	2
6	613427001	Motor Shaft Bushing	1	14	696318001	Rear Wheel Axle	1
7	660722002	Bolt (M6 x 26 mm, Hex Hd.)	4	15	660563002	Screw (M4 x 20 mm, T20 Torx Pan Hd.)	8
8	638557001	Washer (ID6.2 x OD15 x 0.08t)	4				

RYOBI LAWN MOWER - ITEM NO. RY40108



Side Switch



WIRING DIAGRAM