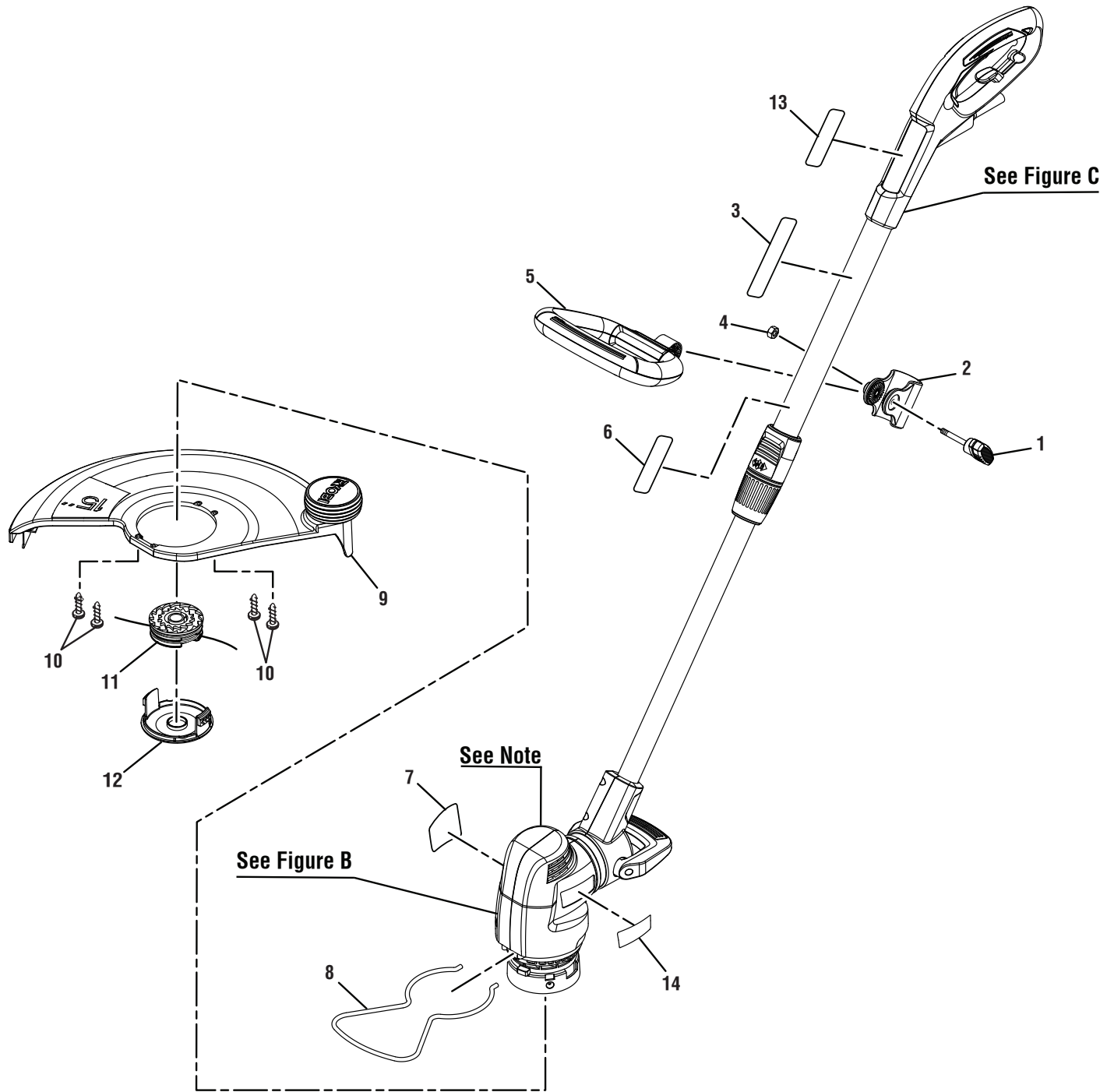


FIGURE A



RYOBI STRING TRIMMER – MODEL NUMBER RY41140

The model number will be found on a label attached to the motor housing. Always mention the model number of your **String Trimmer** when requesting service or ordering repair parts.

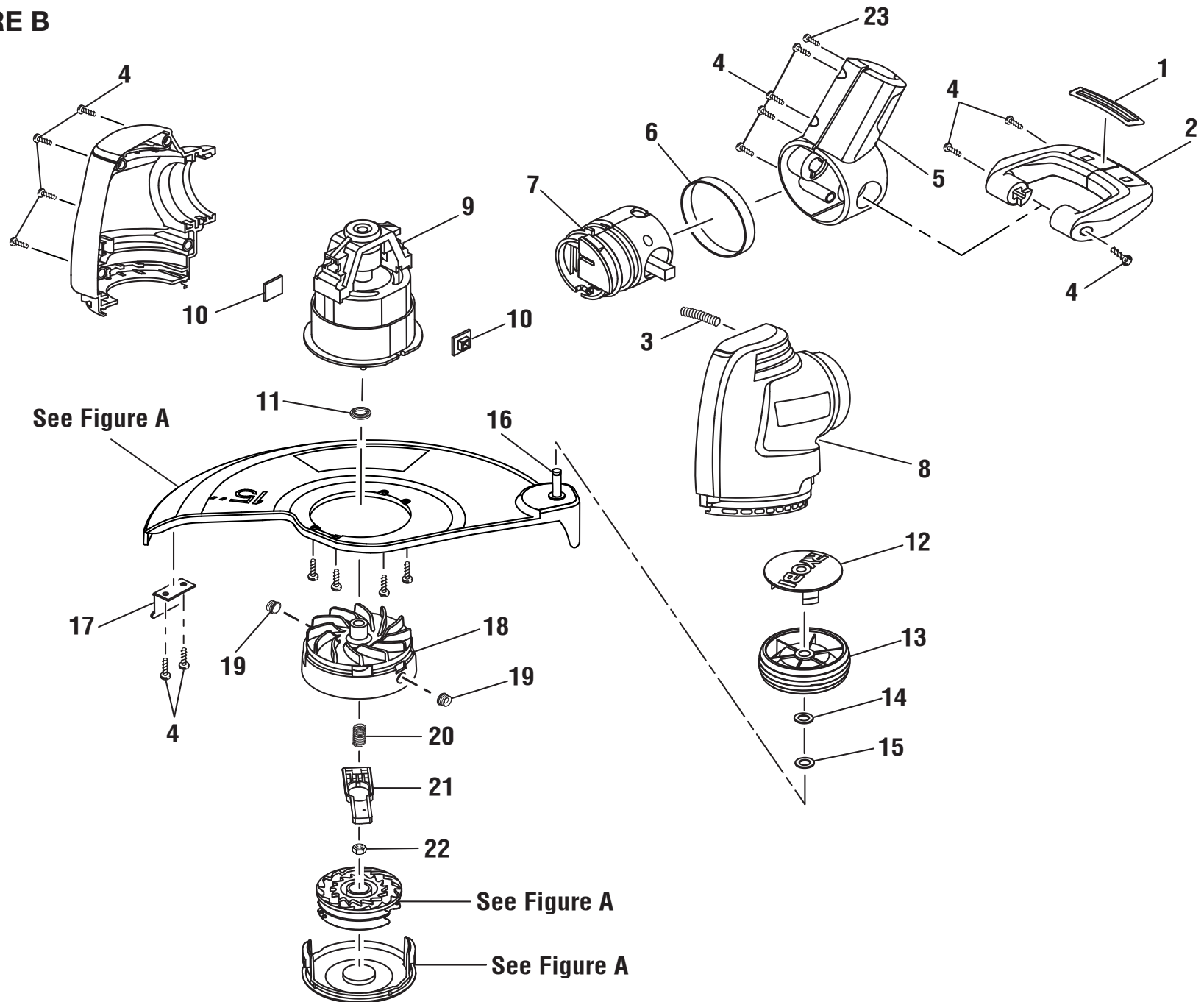
PARTS LIST (FIGURE A)

KEY NO.	PART NUMBER	DESCRIPTION	QTY	KEY NO.	PART NUMBER	DESCRIPTION	QTY
1	34101339-2G	Auxiliary Handle Knob	1	8	33302339-2G	Wire Guard.....	1
2	34102339-2G	Clamp	1	9	31100518G	Guard.....	1
3	099901001902	Warning Label (French/Spanish).....	1	10	3220345G	Screw (M3.5 x 12 mm).....	4
4	32901186G	Hex Nut (M6).....	1	11	31104178G	Spool	1
5	31302339-2G	Auxiliary Handle Assembly	1	12	34115339G	Spool Cover.....	1
6	099901001900	Icon Strip	1	13	099901001903	Logo Label.....	1
7	099901001901	Data Label	1	14	940705066	Logo Label.....	1
					Not Shown:		
					988000398	Operator's Manual	1
					3-17-11		
					(Rev:02)		

NOTE: The assembly shown represents an important part of the double insulated system. To avoid the possibility of alteration or damage to the system, service should be performed by your nearest Ryobi Authorized Service Center. For the service center nearest you call 1-800-525-2579.

RYOBI STRING TRIMMER - MODEL NUMBER RY41140

FIGURE B



RYOBI STRING TRIMMER – MODEL NUMBER RY41140

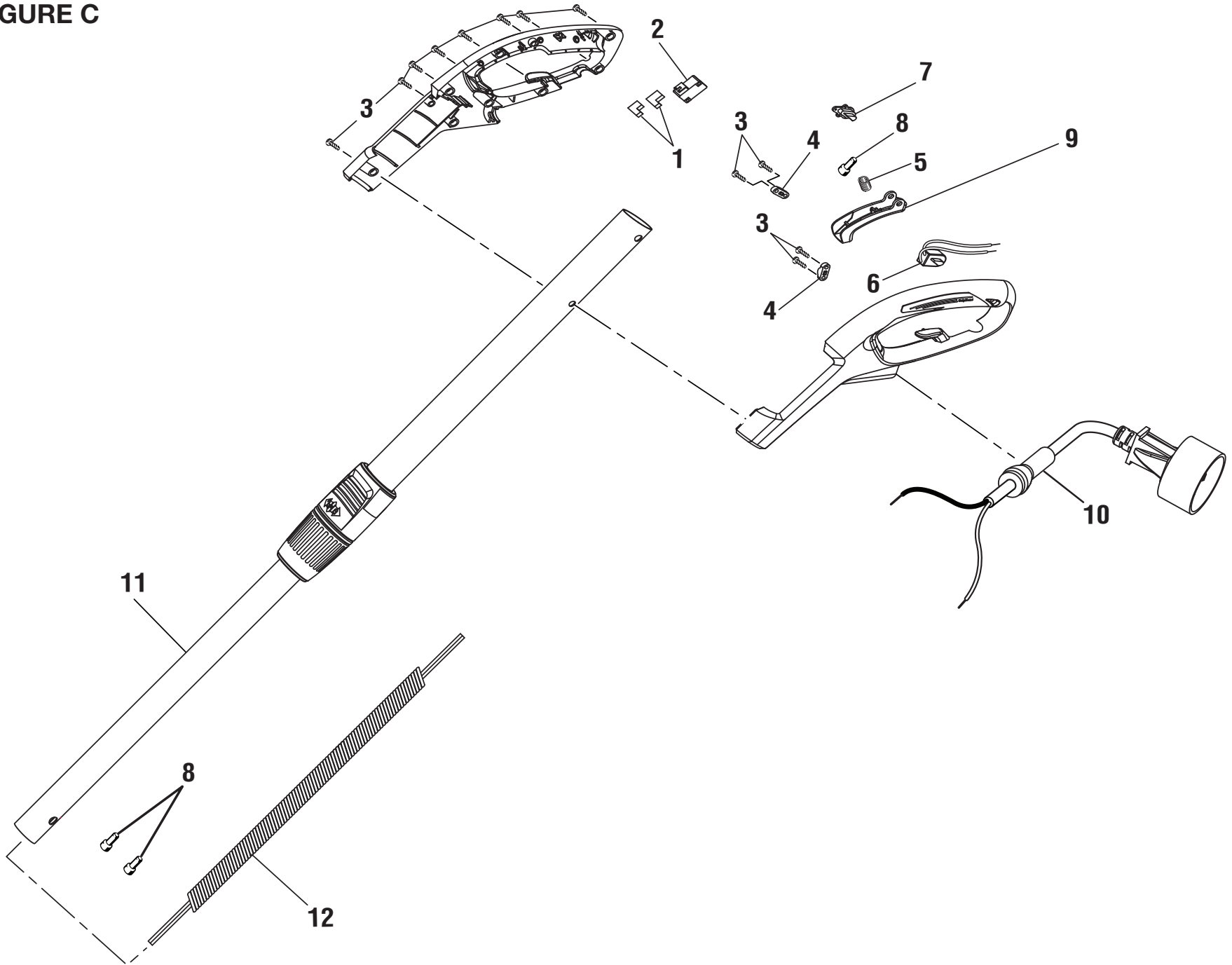
The model number will be found on a label attached to the motor housing. Always mention the model number of your **String Trimmer** when requesting service or ordering repair parts.

PARTS LIST (FIGURE B)

KEY NO.	PART NUMBER	DESCRIPTION	QTY		KEY NO.	PART NUMBER	DESCRIPTION	QTY
1	34108339-2G	Pedal Pad.....	1		12	34118339-2G	Wheel Cover.....	1
2	34107339-2G	Adjustment Pedal.....	1		13	34117339-2G	Wheel	1
3	33401339G	Compression Spring	1		14	3220191G	Retaining Ring.....	1
4	3220313G	Screw (M4 x 14 mm)	13		15	3290251G	Washer	1
5	31303339-2G	Pivot Housing	1		16	3290135G	Pin	1
6	34112339-2G	Coupler Ring	1		17	33300337G	Blade Bracket.....	1
7	31100339G	Pivot Assembly.....	1		18	34107178G	Fan	1
8	31305518G	Motor Housing	1		19	33200178G	Eyelet.....	2
9	36101518G	Motor.....	1		20	3340646G	Compression Spring	1
10	34203339G	Motor Rubber Pad	2		21	33403339G	Auto-Feed Button.....	1
11	33202178G	Bushing	1		22	3220439G	Lock Nut (M5).....	1
					23	3220905G	Screw (M4 x 12 mm)	1

WARNING: Improper repair of a double insulated tool can result in damage to the double insulation system possibly causing electrical shock or electrocution. Any repairs requiring disassembly of your tool requires safety testing and should only be performed by a Ryobi Authorized Service Center. For the service center nearest you call 1-800-525-2579.

FIGURE C



RYOBI STRING TRIMMER – MODEL NUMBER RY41140

The model number will be found on a label attached to the motor housing. Always mention the model number of your **String Trimmer** when requesting service or ordering repair parts.

PARTS LIST (FIGURE C)

KEY NO.	PART NUMBER	DESCRIPTION	QTY	KEY NO.	PART NUMBER	DESCRIPTION	QTY
1	34903161G	Wire Sleeve.....	2	7	31301339G	LED Cover	1
2	3630152G	Micro Switch	1	8	3650135G	Wire Connector	3
3	3220313G	Screw (M4 x 14 mm)	12	9	34100339-2G	Trigger	1
4	3410801G	Cord Clamp	2	10	31102518G	Power Cord Assembly.....	1
5	33400339G	Compression Spring.....	1	11	31101518G	Boom Assembly	1
6	36900339G	Power Indicator	1	12	36902518G	Spring Wire.....	1

NOTE: The assembly shown represents an important part of the double insulated system. To avoid the possibility of alteration or damage to the system, service should be performed by your nearest Ryobi Authorized Service Center. For the service center nearest you call 1-800-525-2579.