

RYOBI
WHEELED BLOWER
MODEL NO. RY42WB
MFG. # 090248002
Repair Sheet

TECHTRONIC INDUSTRIES POWER EQUIPMENT

1428 Pearman Dairy Road, Anderson, SC 29625 USA
1-800-860-4050 • www.ryobitools.com

RYOBI WHEELED BLOWER – MODEL NO. RY42WB

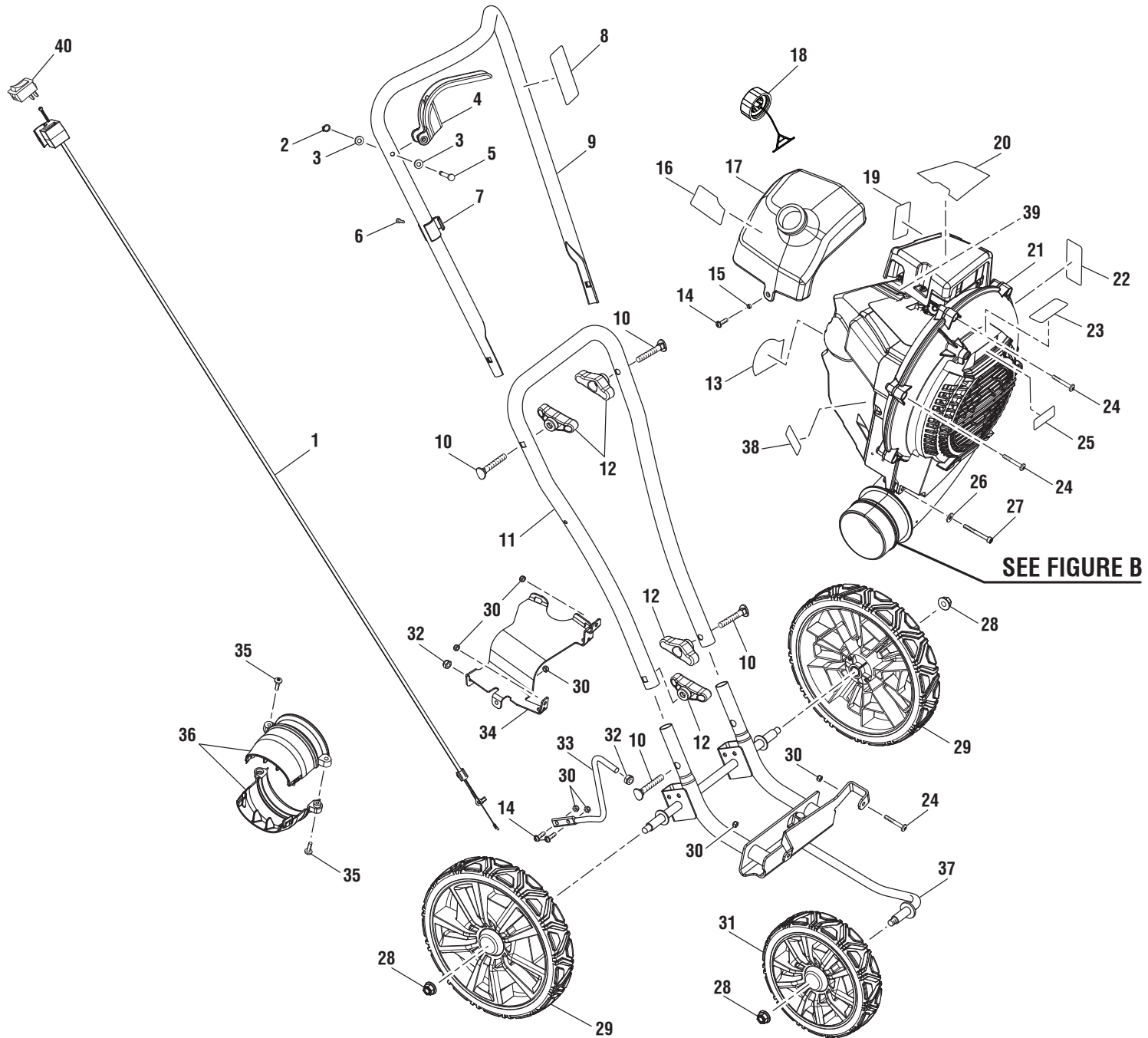


FIGURE A

RYOBI WHEELED BLOWER – MODEL NO. RY42WB

The model number will be found on a label attached to the housing. Always mention the model number in all correspondence regarding your **BLOWER** or when ordering replacement parts.

PARTS LIST (FIGURE A)

KEY NO.	PART NUMBER	DESCRIPTION	QTY	KEY NO.	PART NUMBER	DESCRIPTION	QTY
1	290298006	Lead Wire and Throttle Cable Assembly	1	23	940657229	Warning Icon Label (Inlet)	1
2	678135001	Retaining Ring.....	1	24	662466001	Screw (M5 x 35 mm, T25 Torx Pan Hd.)	3
3	590462002	Fiber Washer (OD12.5 x ID6.35 x 2t)	2	25	940705355	Logo Label (Ryobi).....	1
4	518256003	Trigger	1	26	678341001	Washer (OD14 x ID5.1 x 1.4t)	1
5	638132001	Pin.....	1	27	660347003	Cap Screw (M5 x 45 mm, T25 Torx Soc. Hd.)	1
6	660669001	Screw (8-16 x 1/2 in., Pan Hd.).....	1	28	662082001	Lock Nut (3/8-16 in.)	3
7	519801001	Cable Clip	1	29	330072001	Rear Wheel Assembly.....	2
8	940657228	Warning Icon Label (Handle).....	1	30	678509001	Lock Nut (M5)	7
9	309019003	Upper Handle Assembly	1	31	330073001	Front Wheel Assembly	1
10	661527001	Carriage Bolt (M8 x 60 mm).....	4	32	678067001	Lock Nut (M8)	2
11	638740002	Center Handle.....	1	33	695579001	Support Rod	1
12	310262004	Knob Assembly.....	4	34	637445001	Bracket.....	1
13	940705357	Model/Performance Label	1	35	660629005	Screw (10-14 x 3/4 in., Tri-Round T.F.).....	2
14	660917003	Screw (M5 x 16 mm, T25 Torx Pan Hd.)	3	36	531134001	Nozzle	2
15	679041001	Bushing	1	37	312075001	Frame Assembly	1
16	940851183	E85 Label.....	1	38	940654088	Combustion Label.....	1
17	390027001	Fuel Tank Assembly (Inc. Key No. 18).....	1	39	903269002	Fuel Line Padding	1
18	310816015	Fuel Cap Assembly	1	40	760961002	Stop Switch (Momentary Contact)	1
19	940851184	Choke Label.....	1				
20	940705356	Starting Instructions Label.....	1				
21	See Fig. B	Power Head Assembly	1				
22	940657230	Hot Surface Label	1				
					Not Shown		
					991000907	Operator's Manual	
					9-27-18		
					(Rev:02)		

RYOBI WHEELED BLOWER – MODEL NO. RY42WB

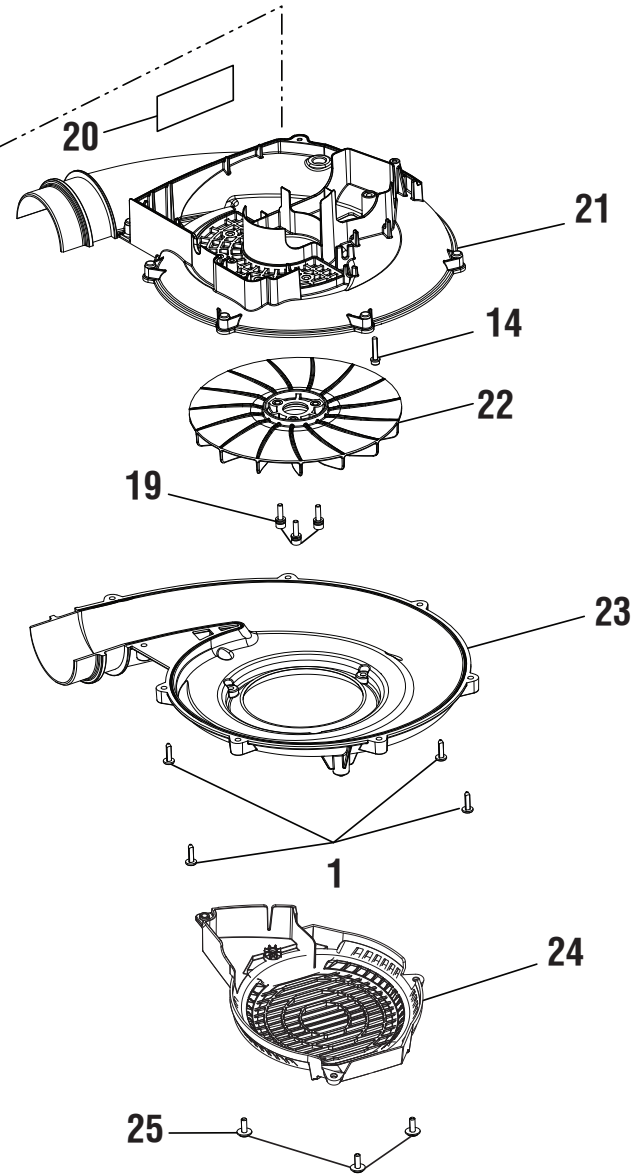
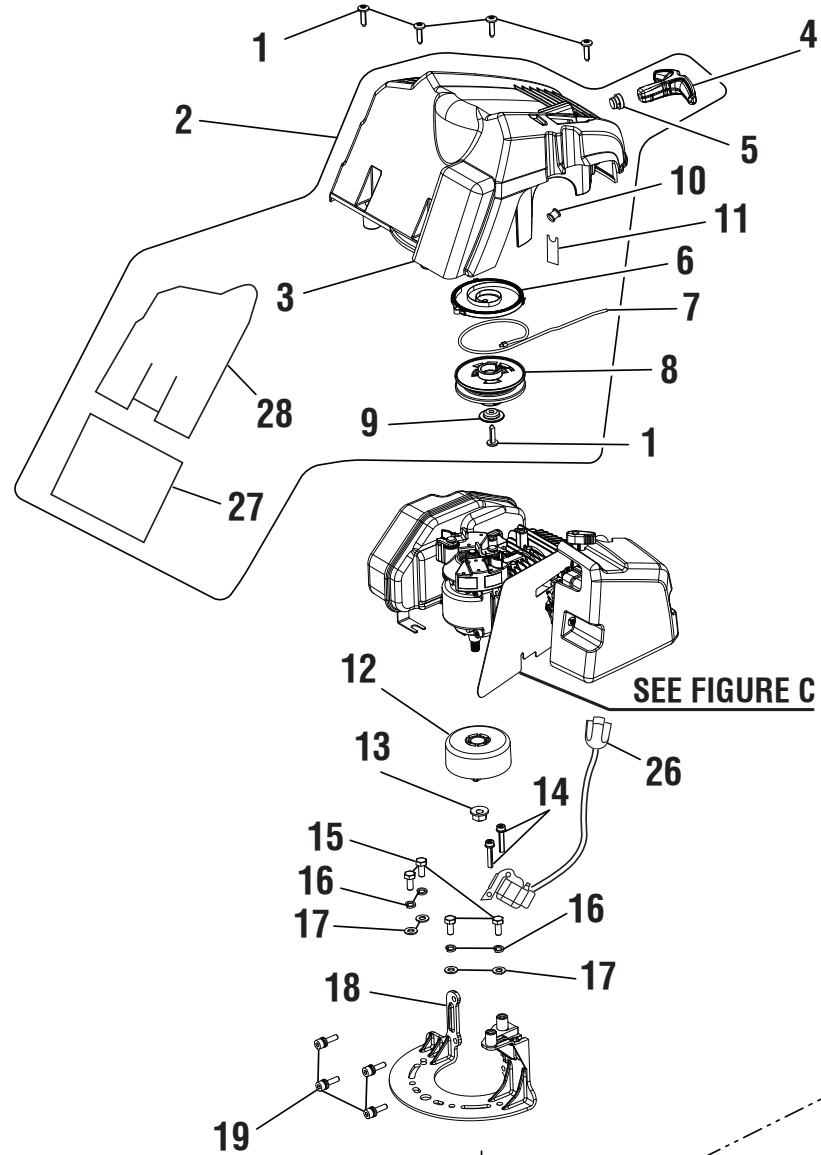


FIGURE B

RYOBI WHEELED BLOWER – MODEL NO. RY42WB

The model number will be found on a label attached to the housing. Always mention the model number in all correspondence regarding your **BLOWER** or when ordering replacement parts.

PARTS LIST (FIGURE B)

KEY NO.	PART NUMBER	DESCRIPTION	QTY	KEY NO.	PART NUMBER	DESCRIPTION	QTY
1	660629005	Screw (10-14 x 19 mm, T25 Torx Truss Hd.).....	9	15	661431003	Screw (M6 x 14 mm, Hex Soc. Hd.)	4
2	308563027	Engine Cover w/Starter Assembly (Inc. Key Nos. 3-11 and 27-28).....	1	16	693001001	Spring Washer (ID6.4 x 1.6t)	4
3	524587004	Motor Cover.....	1	17	693002001	Washer (OD12.9 x ID6.6 x 1.2t)	4
4	511731004	Starter Grip	1	18	634062001	Engine Mount.....	1
5	638088002	Eyelet	1	19	660344007	Screw w/Washers (M5 x 20 mm, Hex Soc. Hd.).....	7
6	638033001	Container Spring Assembly	1	20	700150003	Heat Shield Tape.....	1
7	900849002	Starter Rope.....	1	21	523921003	Inner Volute	1
8	521519001	Solid Pulley	1	22	518265004	Fan	1
9	638980001	Starter Cap	1	23	524586003	Outer Volute	1
10	638088004	Eyelet	1	24	531133001	Intake Cover.....	1
11	522600003	Eyelet Support	1	25	660629002	Screw (10-14 x 18 mm, T25 Torx Pan Hd.).....	3
12	679052003	Fan Disk.....	1	26	291424005	Ignition Module	1
13	678018001	Flange Lock Nut (M8, Left Hand Threads).....	1	27	650023006	Foil Tape.....	1
14	660613001	Screw w/Washer (M5 x 25 mm, T-25 Torx Pan Hd.)	3	28	902735001	Insulation.....	

RYOBI WHEELED BLOWER – MODEL NO. RY42WB

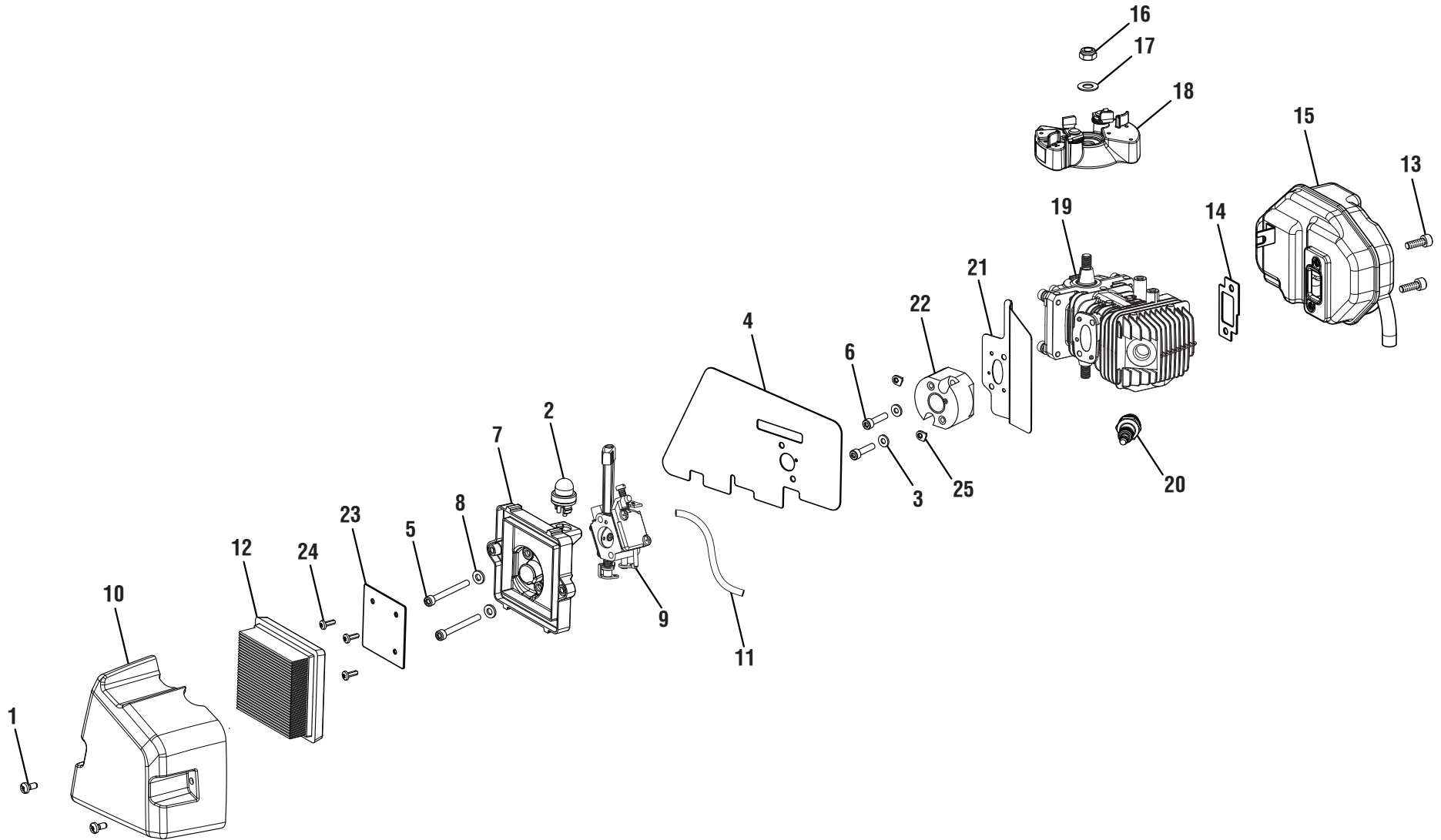


FIGURE C

RYOBI WHEELED BLOWER – MODEL NO. RY42WB

The model number will be found on a label attached to the housing. Always mention the model number in all correspondence regarding your **BLOWER** or when ordering replacement parts.

PARTS LIST (FIGURE C)

KEY NO.	PART NUMBER	DESCRIPTION	QTY
1	660510009	Screw	2
2	300780002	Primer Assembly	1
3	678343002	Spring Washer (M5)	2
4	562927009	Gasket.....	1
5	660347001	Screw (M5 x 50 mm, Soc. Hd.).....	2
6	661832001	Screw (M5 x 0.8 in.)	2
7	523923001	Air Box Base	1
8	671080001	Washer (ID5.8 x OD11.5 x 1.7t)	2
9	308054132	Carburetor.....	1
10	523924001	Air Box Cover.....	1
11	570373049	Fuel Line	1
12	900777005	Air Filter.....	1
13	660612001	Bolt (1/4-20 x 18 mm).....	2
14	901653007	Gasket.....	1
15	309330004	Exhaust Assembly	1
16	678067001	Lock Nut (M8)	1
17	631049001	Washer (ID9 x OD17.7 x 1.1t)	1
18	309013004	Flywheel Assembly	1
19	309842001	Short Block Assembly	1
20	870170001	Spark Plug (RCJ4).....	1
21	562927003	Gasket.....	1
22	524583003	Heat Dam.....	1
23	638091011	Spacer.....	1
24	660345001	Screw (M4 x 12 mm, Pan Hd.).....	3
25	638980003	Washer (Heat Dam).....	2