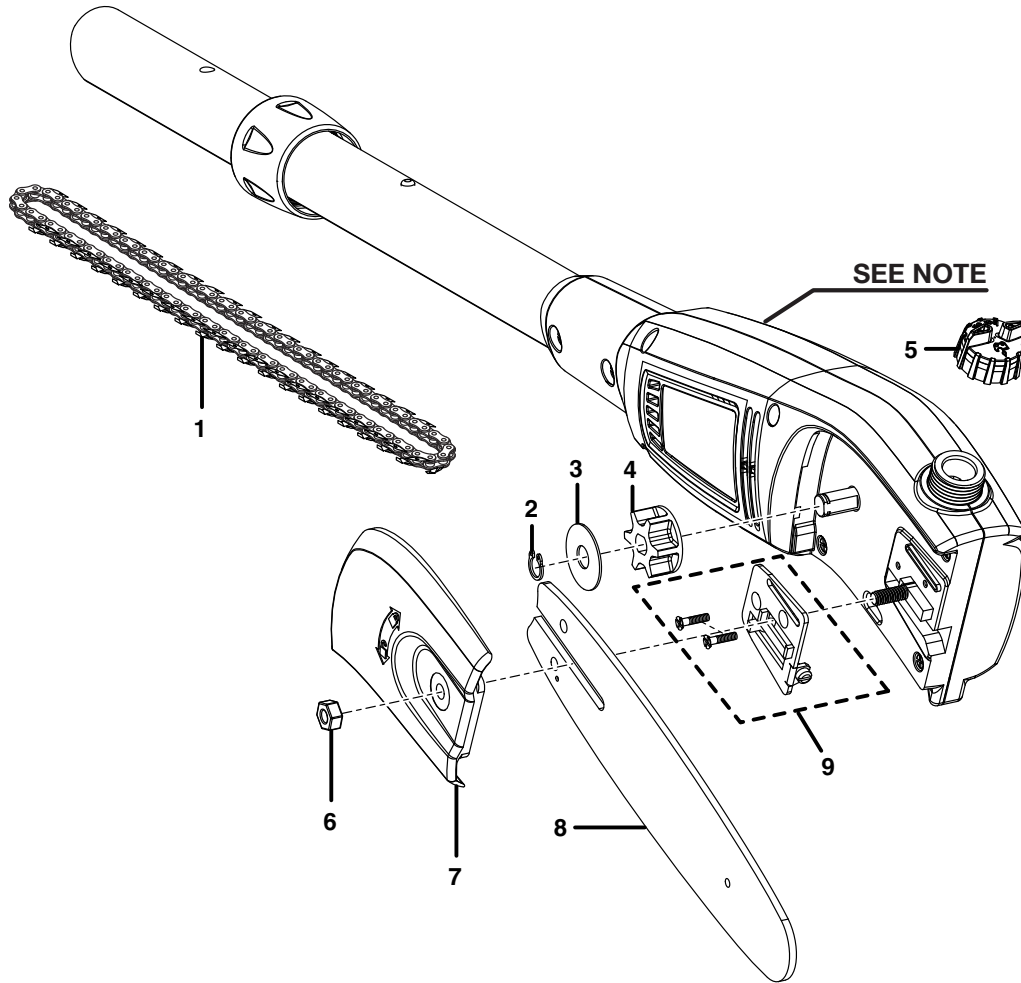


**RYOBI ELECTRIC POLE SAW  
MODEL NO. RY43160 – ALL VERSIONS**

The model number will be found on a label attached to the motor housing. Always mention the model number in all correspondence regarding your **ELECTRIC POLE SAW** or when ordering replacement parts.

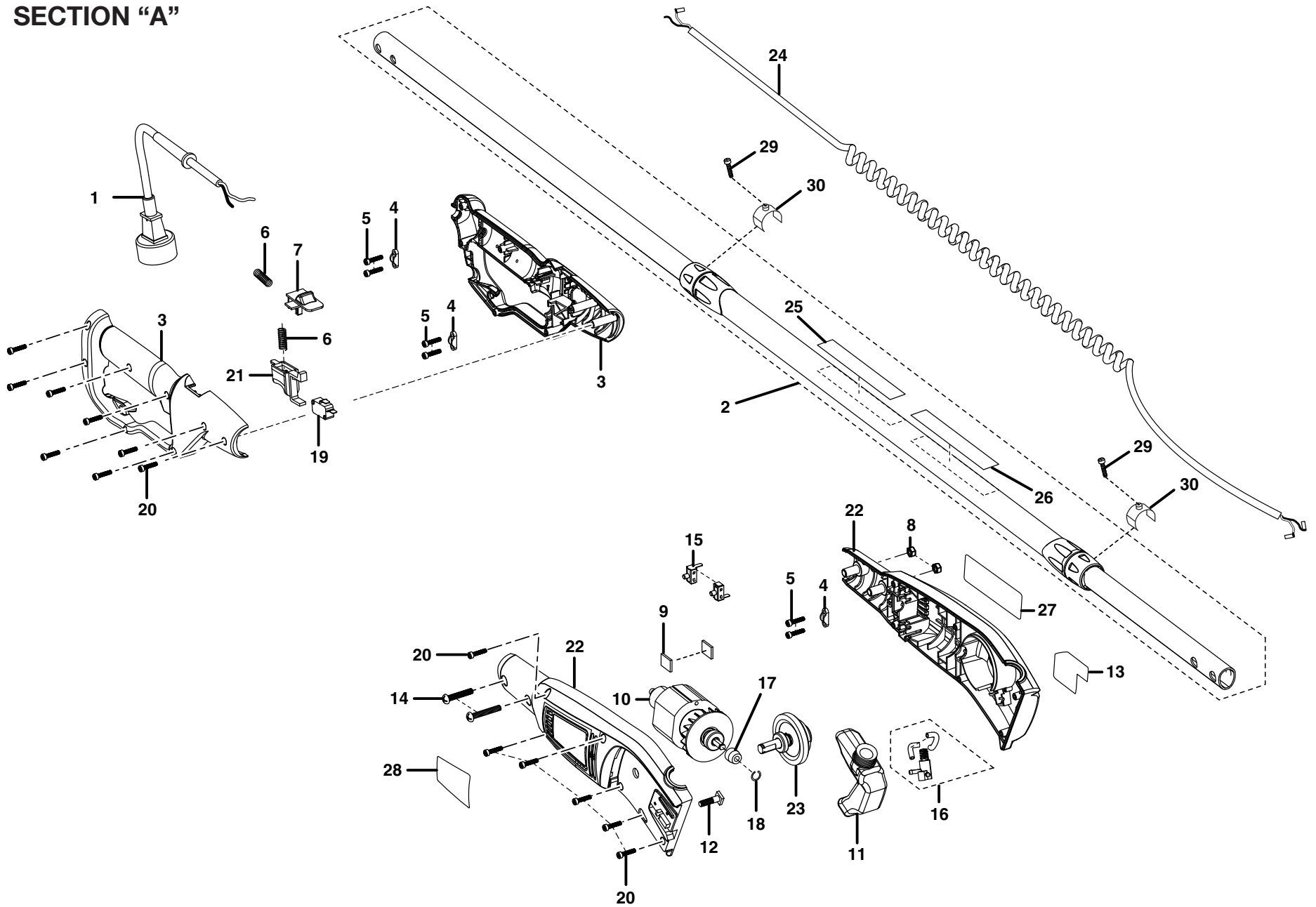


**PARTS LIST**

KEY NO.	PART NUMBER	DESCRIPTION	QTY
1	901289001	Chain .....	1
2	3290875G	Retaining Ring .....	1
3	33302102G	Washer .....	1
4	33902102-1G	Sprocket .....	1
5	34117152-3G	Oil Cap .....	1
6	32901152G	Hex Nut (M6) .....	1
7	31308152G	Chain Cover Assembly .....	1
8	32909152-2G	Bar .....	1
9	31307152G	Chain Adjustment Assembly .....	1
	<b>Not Shown</b>		
	34161152G	Scabbard .....	1
	988000750	Operator's Manual .....	1

**NOTE:** The assembly shown represents an important part of the double insulated system. To avoid the possibility of alteration or damage to the system, service should be performed by your nearest Ryobi Authorized Service Center. For the service center nearest you call 1-800-860-4050.

SECTION "A"



**RYOBI ELECTRIC POLE SAW – MODEL NUMBER RY43160 – ALL VERSIONS**

**PARTS LIST**

<b>KEY NO.</b>	<b>PART NUMBER</b>	<b>DESCRIPTION</b>	<b>QTY</b>	<b>KEY NO.</b>	<b>PART NUMBER</b>	<b>DESCRIPTION</b>	<b>QTY</b>
1	31305163G	Power Cord.....	1	17	33205152G	Pinion.....	1
2	31309152-3G	Pole Assembly (Incl. Key Nos. 25-26).....	1	18	32918152G	Retaining Ring.....	1
3	31302152B-3G	Handle Assembly.....	1	19	36303152G	Switch.....	1
4	3410801G	Cord Clamp.....	3	20	3220106G	Screw (M4 x 18 mm).....	14
5	3220905G	Screw (M4 x 12 mm).....	6	21	34118152-3G	Trigger.....	1
6	33402161G	Compression Spring.....	2	22	31301152-3G	Housing Assembly.....	1
7	34110152-3G	Lock-off Button.....	1	23	31303152-1G	Output Shaft Assembly.....	1
8	32907152G	Lock Nut (M6).....	2	24	31310152G	Spring Cord Assembly.....	1
9	34204152G	Rubber Pad.....	2	25	940657051	Warning Label.....	1
10	31311152G	Motor Assembly.....	1	26	941107002	Data Label (French/Spanish).....	1
11	31314152G	Oil Tank Assembly.....	1	27	940051065	Logo Label (Left).....	1
12	33203152G	Bar Stud (1/4-28).....	1	28	940114416	Logo Label (Right).....	1
13	941588003	Data Label (English).....	1	29	32207152G	Screw (M3 x 4 mm).....	2
14	32906152G	Screw (M6 x 32 mm).....	2	30	33302163AG	Lock Spring.....	2
15	36901152G	Brush Assembly.....	2				
16	31313152G	Oil Pump Assembly.....	1				
					11-7-11 (REV:02)		

**WARNING: Improper repair of a double insulated tool can result in damage to the double insulation system possibly causing electrical shock or electrocution. Any repairs requiring disassembly of your tool requires safety testing and should only be performed by a Ryobi Authorized Service Center. For the service center nearest you call 1-800-860-4050.**