

**48 Volt RYOBI  
38 in. Riding Lawn Mower  
Item Nos. RY48110, RY48111, RY48112  
Mfg. Nos. 099749001, 099749002, 099749003  
Repair Sheet**

**ONE WORLD TECHNOLOGIES, INC.**

1428 Pearman Dairy Road, Anderson, SC 29625 • Phone 1-800-525-2579

États-Unis, Téléphone 1-800-525-2579 • USA, Teléfono 1-800-525-2579

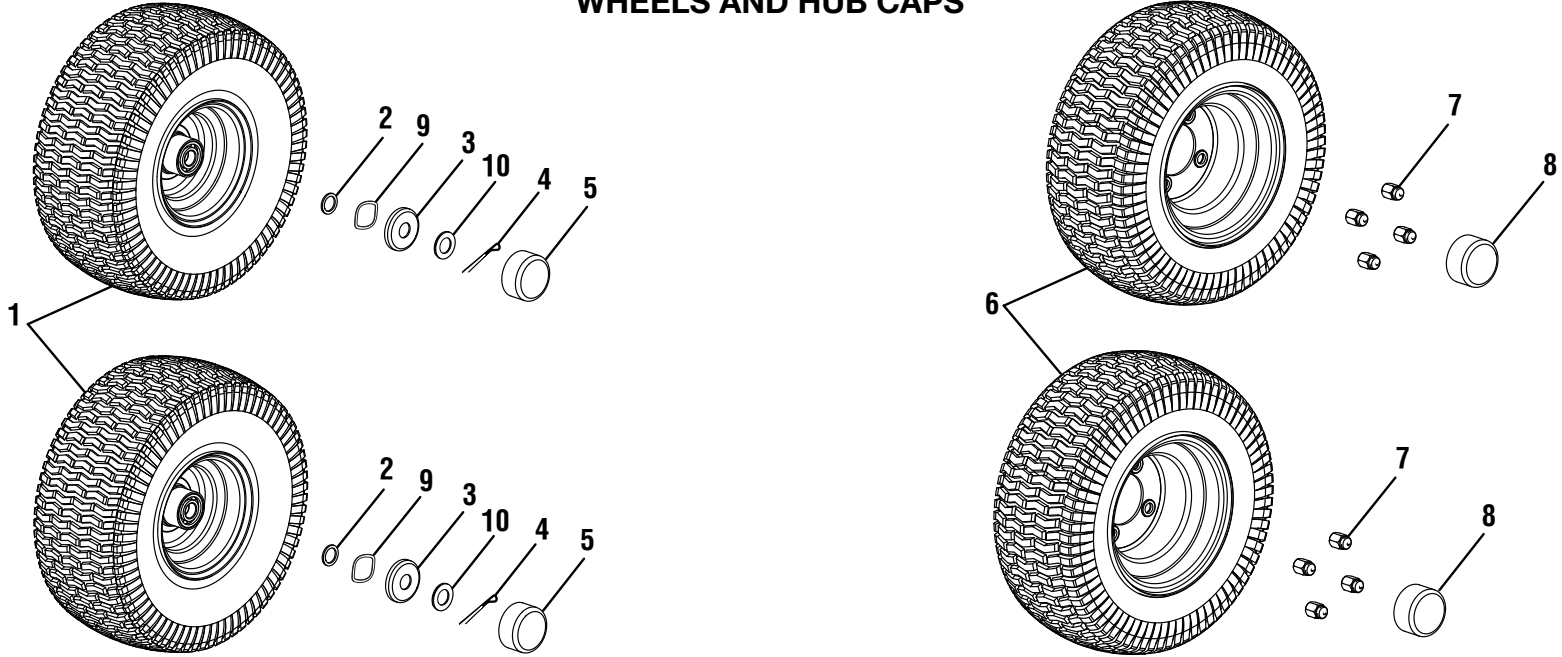
[www.ryobitools.com](http://www.ryobitools.com)

## 48 V RIDING LAWN MOWER – MODEL NOS. RY48110, RY48111, RY48112

The model number will be found on a label under the seat. Always mention the model number in all correspondence regarding your **LAWN MOWER** or when ordering replacement parts.

**FIGURE A**

### WHEELS AND HUB CAPS



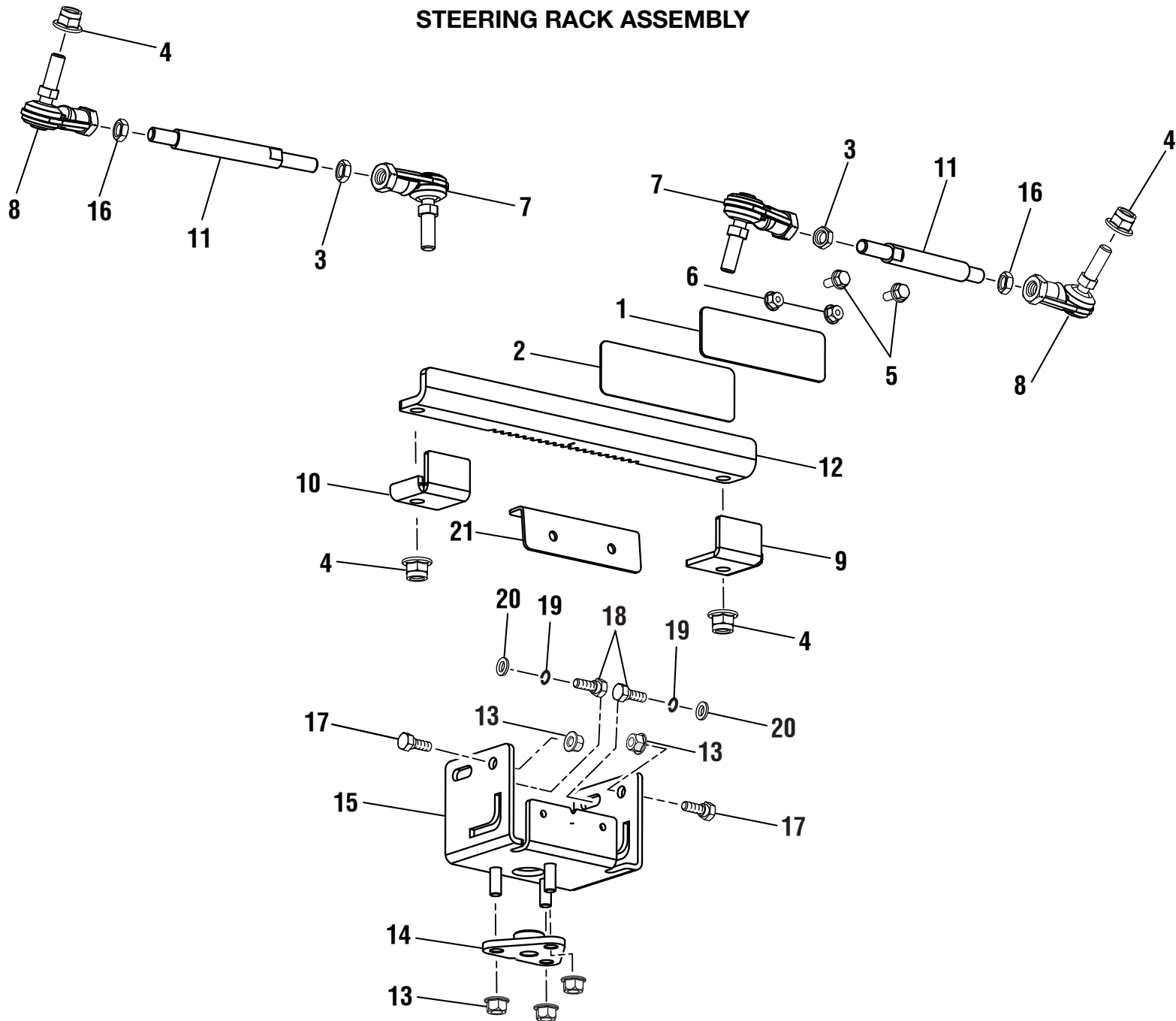
KEY NO.	PART NUMBER	DESCRIPTION	QTY
1	994871001	Front Wheel Assembly .....	2
2	994842001	Washer (OD28 x ID20.5 x 2t) .....	2
3	994857001	Front Wheel Bearing Cover .....	2
4	994768001	Cotter Pin (4 x 40 mm) .....	2
5	996033001	Dust Cover, Front Wheel .....	2
6	996220001	Rear Wheel Assembly .....	2
7	996229001	Acorn Nut (M14) .....	8
8	996029001	Wheel Hub Cover .....	2
9	996362001	Wavy Washer .....	2
10	994766001	Washer (OD37 x ID21 x 0.3t) .....	2

**NOT SHOWN:**

995000004 Operator's Manual

FIGURE B

STEERING RACK ASSEMBLY



## 48 V RIDING LAWN MOWER – MODEL NOS. RY48110, RY48111, RY48112

The model number will be found on a label under the seat. Always mention the model number in all correspondence regarding your **LAWN MOWER** or when ordering replacement parts.

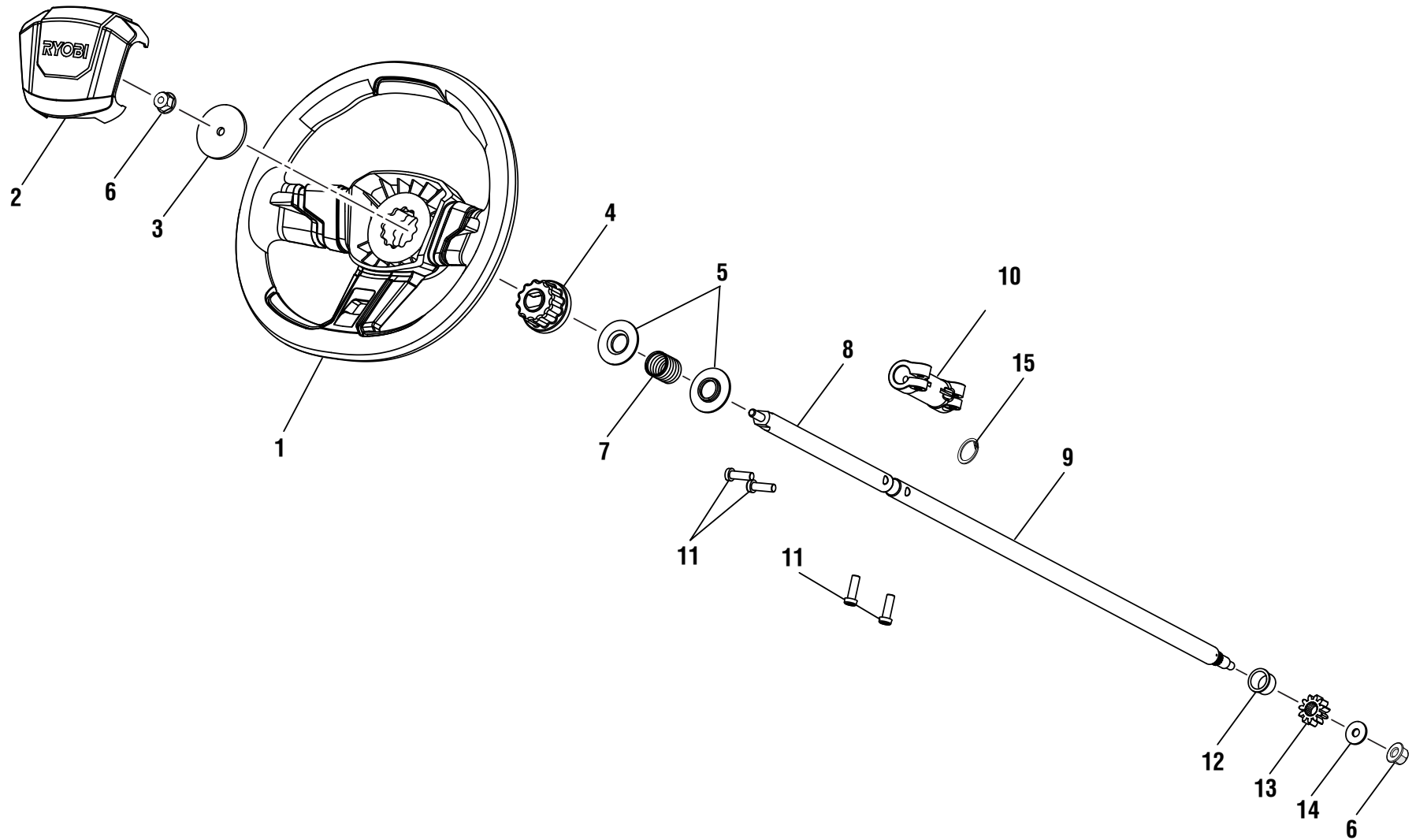
### FIGURE B

#### STEERING RACK ASSEMBLY

KEY NO.	PART NUMBER	DESCRIPTION	QTY
1	996044001	Steel Pad .....	1
2	994832001	Shim Steering Rack .....	1
3	994836001	Nut (M10) .....	2
4	996249001	Flange Lock Nut (M10 x 1.25 mm).....	4
5	996247001	Flange Bolt (M6 x 14 mm, Hex Hd.).....	2
6	994792001	Flange Nut (M6) .....	2
7	996245001	Rod End .....	2
8	996246001	Rod End 2 .....	2
9	996222001	Left Rack Limiter.....	1
10	996223001	Right Rack Limiter .....	1
11	994866001	Tie Rod.....	2
12	996221001	Steering Rack .....	1
13	994867001	Flange Nut (M8) .....	5
14	994863001	Steering Shaft Seat.....	1
15	994841001	Seat Bracket .....	1
16	996343001	Hex Nut (M10 x 1.25 mm, Left Hand) .....	2
17	996255001	Hex Bolt (M8 x 25 mm) .....	2
18	996046001	Bolt (M8 x 25 mm, Hex Hd.) .....	2
19	994770001	Lock Washer (M8) .....	2
20	994771001	Washer (M8).....	2
21	996354001	Rack Shim Limiter.....	1

FIGURE C

STEERING WHEEL AND SHAFT ASSEMBLY



## 48 V RIDING LAWN MOWER – MODEL NOS. RY48110, RY48111, RY48112

The model number will be found on a label under the seat. Always mention the model number in all correspondence regarding your **LAWN MOWER** or when ordering replacement parts.

### STEERING WHEEL AND SHAFT ASSEMBLY

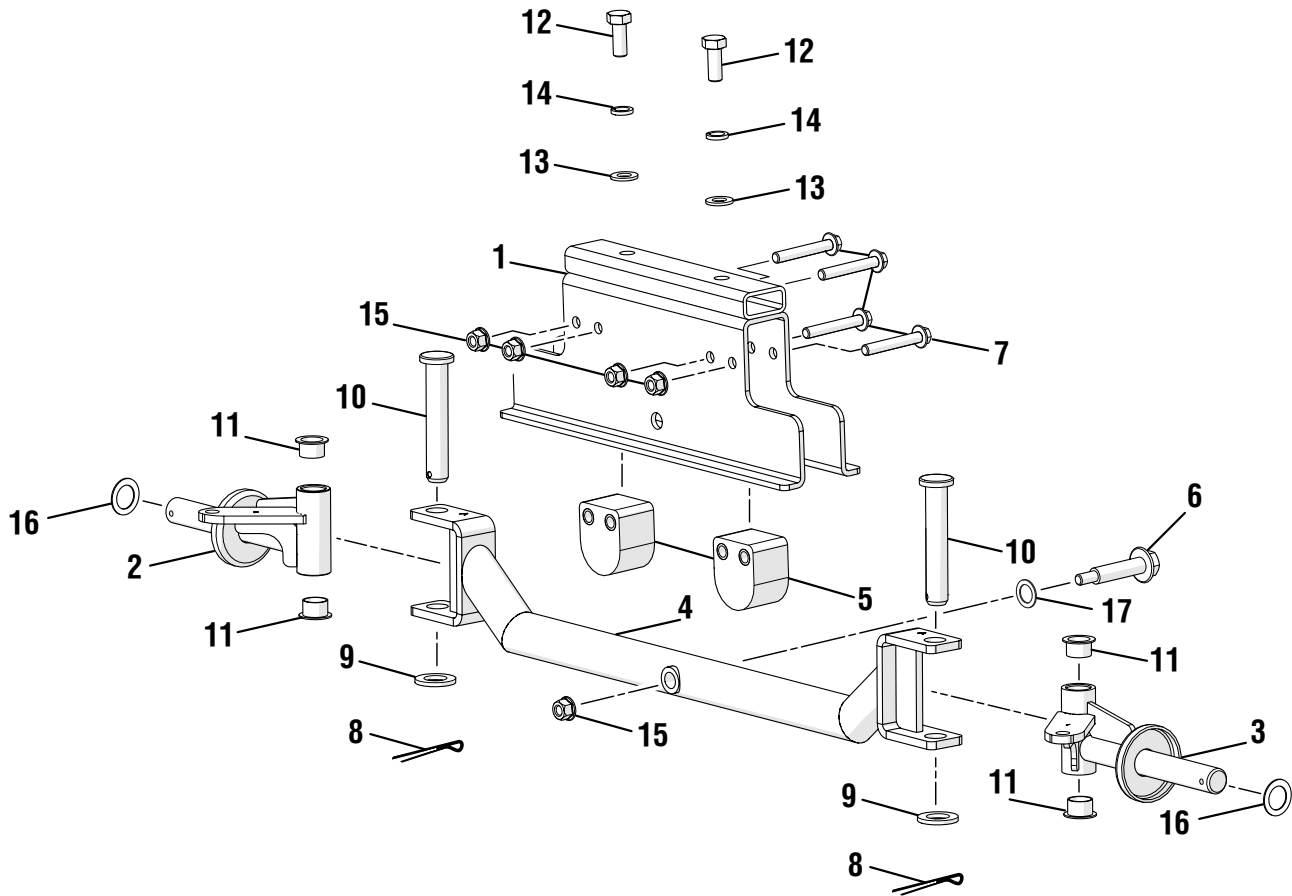
KEY NO.	PART NUMBER	DESCRIPTION	QTY
1	994873001	Steering Wheel.....	1
2	996043001	Steering Wheel Cap.....	1
3	994899001	Washer Plate.....	1
4	994898001	Spline Collar.....	1
5	996031001	Spring Seat.....	2
6	994867001	Flange Lock Nut (M8).....	2
7	996032001	Steering Shaft Spring.....	1
8	996027001	Upper Steering Shaft.....	1
9	996026001	Lower Steering Shaft.....	1
10	996024001	Steering Shaft Coupling.....	1
11	996025001	Screw (M8 x 25 mm, Soc. Hd.).....	4
12	994860001	Flanged Bushing (19 x 22 x 15).....	1
13	996225001	Steering Pinion Gear.....	1
14	994827001	Washer (OD24 x ID8.4 x 2t).....	1
15	996359001	Retaining Ring.....	1

## 48 V RIDING LAWN MOWER – MODEL NOS. RY48110, RY48111, RY48112

The model number will be found on a label under the seat. Always mention the model number in all correspondence regarding your **LAWN MOWER** or when ordering replacement parts.

**FIGURE D**

### FRONT AXLE ASSEMBLY



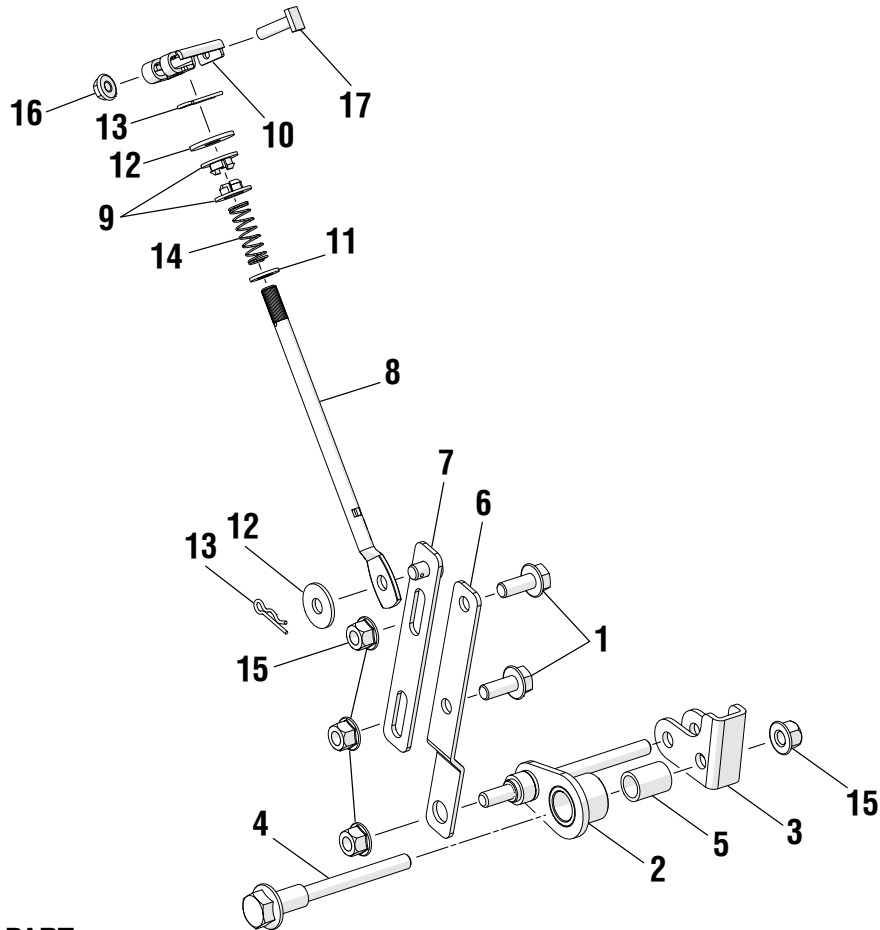
KEY PART NO.	PART NUMBER	DESCRIPTION	QTY
1	994864001	Front Axle Channel Plate w/Brackets .....	1
2	994835001	Right Steering Knuckle .....	1
3	994834001	Left Steering Knuckle.....	1
4	994826001	Front Axle.....	1
5	996224001	Front Axle Rubber Bumper Assembly .....	2
6	994789001	Shoulder Bolt (M8 x 60 mm, Flange Hex Hd.).....	1
7	996237001	Bolt (M8 x 55 mm, Flange Hex Hd.).....	4
8	994768001	Cotter Pin (4 x 40) .....	2
9	994763001	Washer (OD30 x ID17 x 3t) .....	2
10	994778001	Steering Knuckle Anchor .....	2
11	994865001	Steering Knuckle Bushing.....	4
12	996323001	Bolt (M10 x 45 mm, Hex Hd.) .....	2
13	994996001	Washer (M10 x 20 mm).....	2
14	994998001	Lock Washer (M10) .....	2
15	994867001	Flange Nut (M8) .....	5
16	994842001	Washer (OD28 x ID20.5 x 2t) .....	2
17	994891001	Washer (OD24 x ID13 x 2.5t) .....	1

# 48 V RIDING LAWN MOWER – MODEL NOS. RY48110, RY48111, RY48112

The model number will be found on a label under the seat. Always mention the model number in all correspondence regarding your **LAWN MOWER** or when ordering replacement parts.

**FIGURE E**

## PARKING BRAKE ASSEMBLY

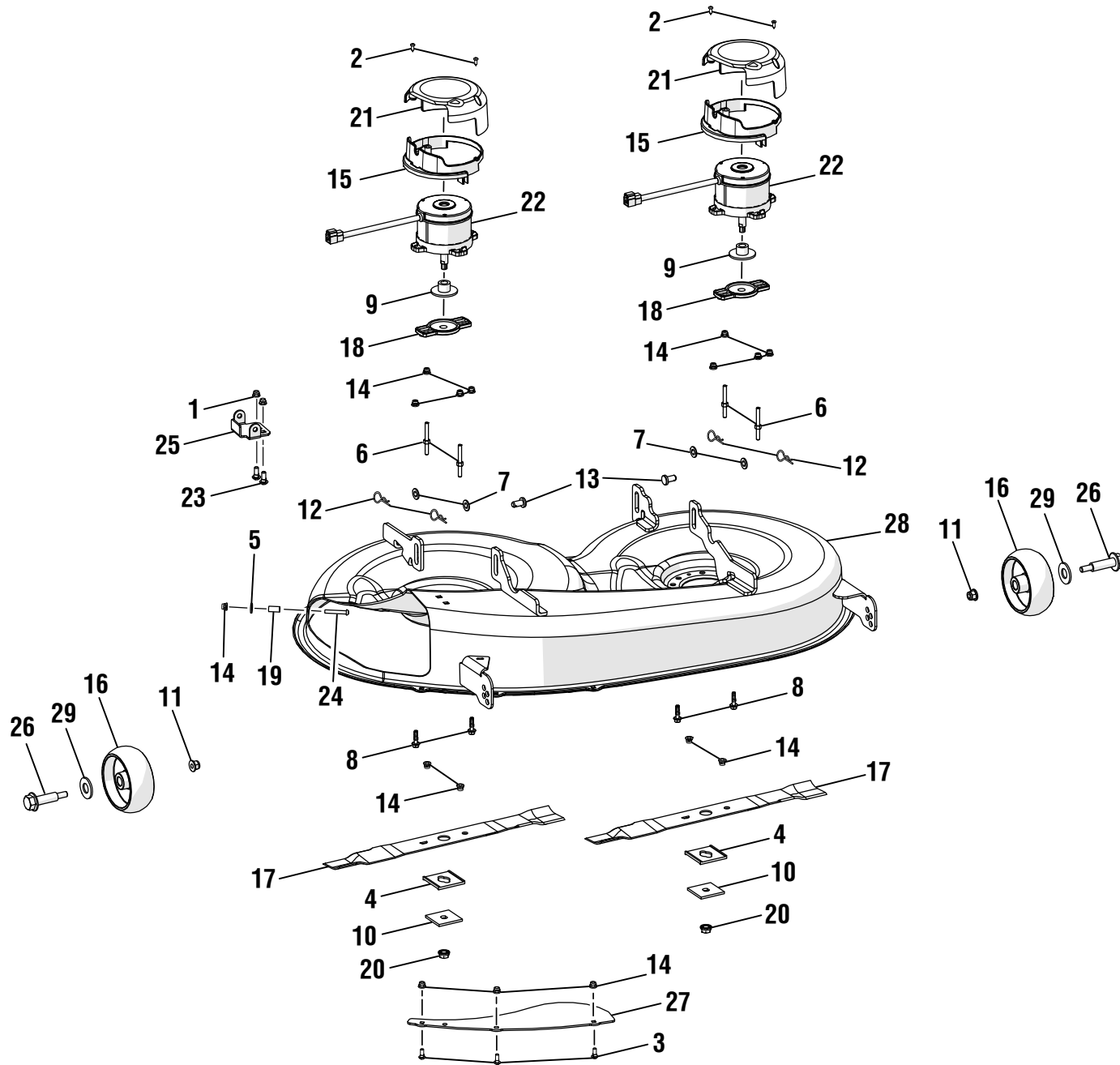


KEY NO.	PART NUMBER	DESCRIPTION	QTY
1	996006001	Flange Bolt (M8 x 20 mm, Hex Hd.).....	2
2	996014001	Pivot Bracket .....	1
3	996007001	Limiter .....	1
4	996015001	Center Step Bolt .....	1
5	996010001	Nylon Sleeve .....	1
6	996016001	Lower Connecting Plate .....	1
7	996018001	Upper Connecting Plate Assembly.....	1
8	996020001	Upper Rod .....	1
9	996021001	Spring Capture Bushing, Nylon .....	2
10	996022001	Lever Bracket.....	1
11	994771001	Washer (OD16 x ID8.4 x 1.6t) .....	1
12	994827001	Washer (OD24 x ID8.4 x 2t) .....	2
13	996013001	Cotter Pin (8 mm).....	2
14	996228001	Compression Spring .....	1
15	994867001	Flange Nut (M8) .....	4
16	996251001	Flange Nut (M6) .....	1
17	996053001	Screw (M6 x 22 mm, Rectangle Hd.) .....	1



FIGURE F

DECK ASSEMBLY



**48 V RIDING LAWN MOWER – MODEL NOS. RY48110, RY48111, RY48112**

The model number will be found on a label under the seat. Always mention the model number in all correspondence regarding your **LAWN MOWER** or when ordering replacement parts.

**FIGURE F**

**DECK ASSEMBLY PARTS LIST**

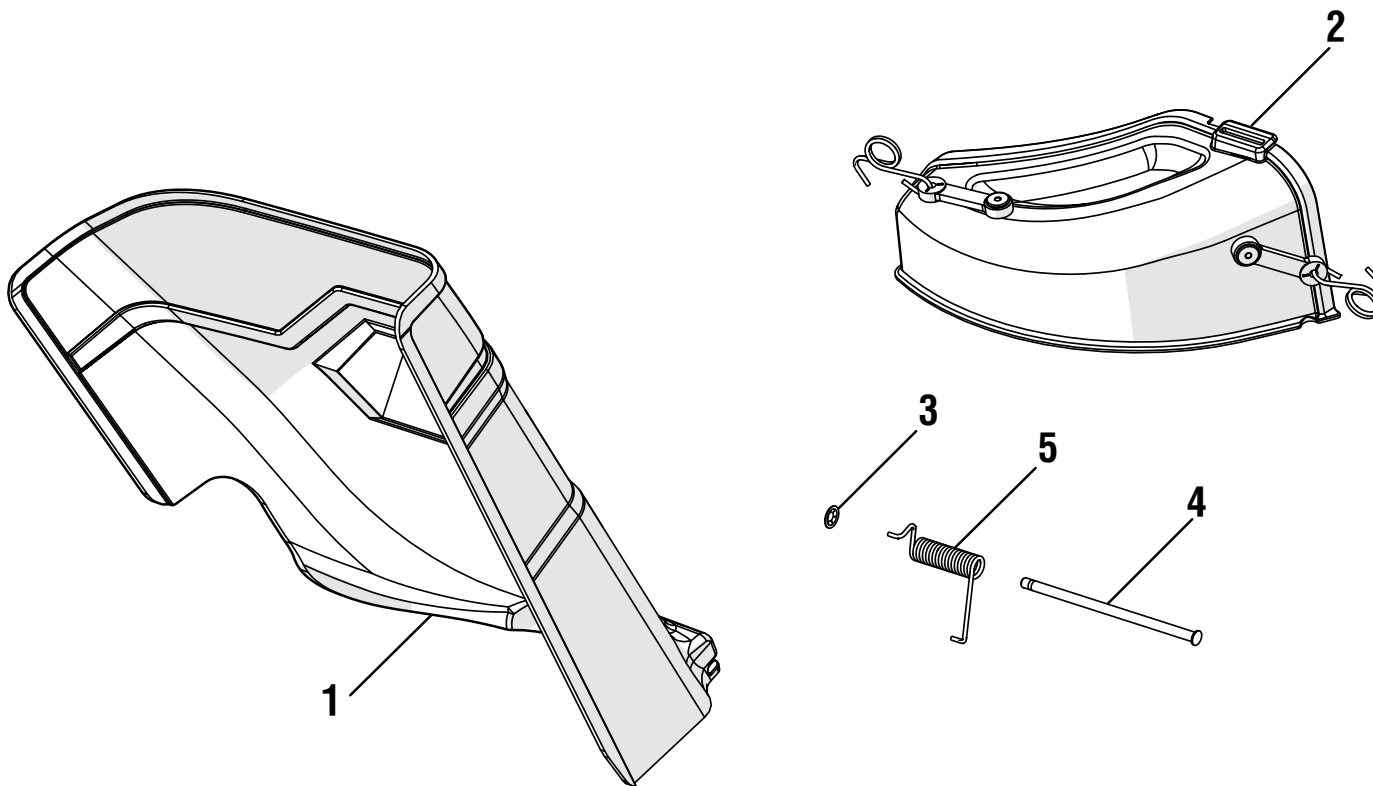
<b>KEY NO.</b>	<b>PART NUMBER</b>	<b>DESCRIPTION</b>	<b>QTY</b>	<b>KEY NO.</b>	<b>PART NUMBER</b>	<b>DESCRIPTION</b>	<b>QTY</b>
1	994867001	Flange Nut (M8 x 1.25).....	2	16	996265001	Front Deck Roller Wheel (124.5 Dia.).....	2
2	996291001	Screw (M4.2 x 13 mm).....	4	17	994869001	Mulching Blade.....	2
3	994791001	Carriage Bolt (M6 x 16 mm).....	3	18	996256001	Blade Holder.....	2
4	996259001	Blade Spacer.....	2	19	996039001	Deck Bagger Chute Mounting Shaft.....	1
5	996034001	Washer (OD18 x ID6.4 x 1.6t).....	1	20	996261001	Flange Lock Nut (M10 x 1.25).....	2
6	996201001	Threaded Stud (M6 x 35 mm).....	4	21	994908001	Motor Cover Cap.....	2
7	994996001	Washer (OD20 x ID10.5 x 2t).....	4	22	996260001	Deck Motor.....	2
8	996057001	Flange Bolt (M6 x 25 mm, Hex Hd.).....	4	23	996050001	Carriage Bolt (M8 x 20 mm).....	2
9	996258001	Motor Axle Bushing.....	2	24	996250001	Screw (M6 x 40, Soc Hd.).....	1
10	996257001	Metal Blade Retainer.....	2	25	994904001	Mounting Mulch Door Bracket.....	1
11	996192001	Lock Nut (M10 x 1.5 mm).....	2	26	996205001	Shoulder Bolt (M10 x 70 mm).....	2
12	996356001	Cotter Pin (10 mm).....	4	27	994868001	Butterfly Bracket.....	1
13	996262001	Lifting Plate Pin.....	2	28	996235001	Mower Deck w/Brackets.....	1
14	996251001	Flange Lock Nut (M6 x 1.00).....	16	29	996355001	Spring Washer (OD20.5 x ID17 x 0.3t).....	2
15	994903001	Motor Cover.....	2				

**48 V RIDING LAWN MOWER – MODEL NOS. RY48110, RY48111, RY48112**

The model number will be found on a label under the seat. Always mention the model number in all correspondence regarding your **LAWN MOWER** or when ordering replacement parts.

**FIGURE G**

**DISCHARGE AND MULCH COVER ASSEMBLY**



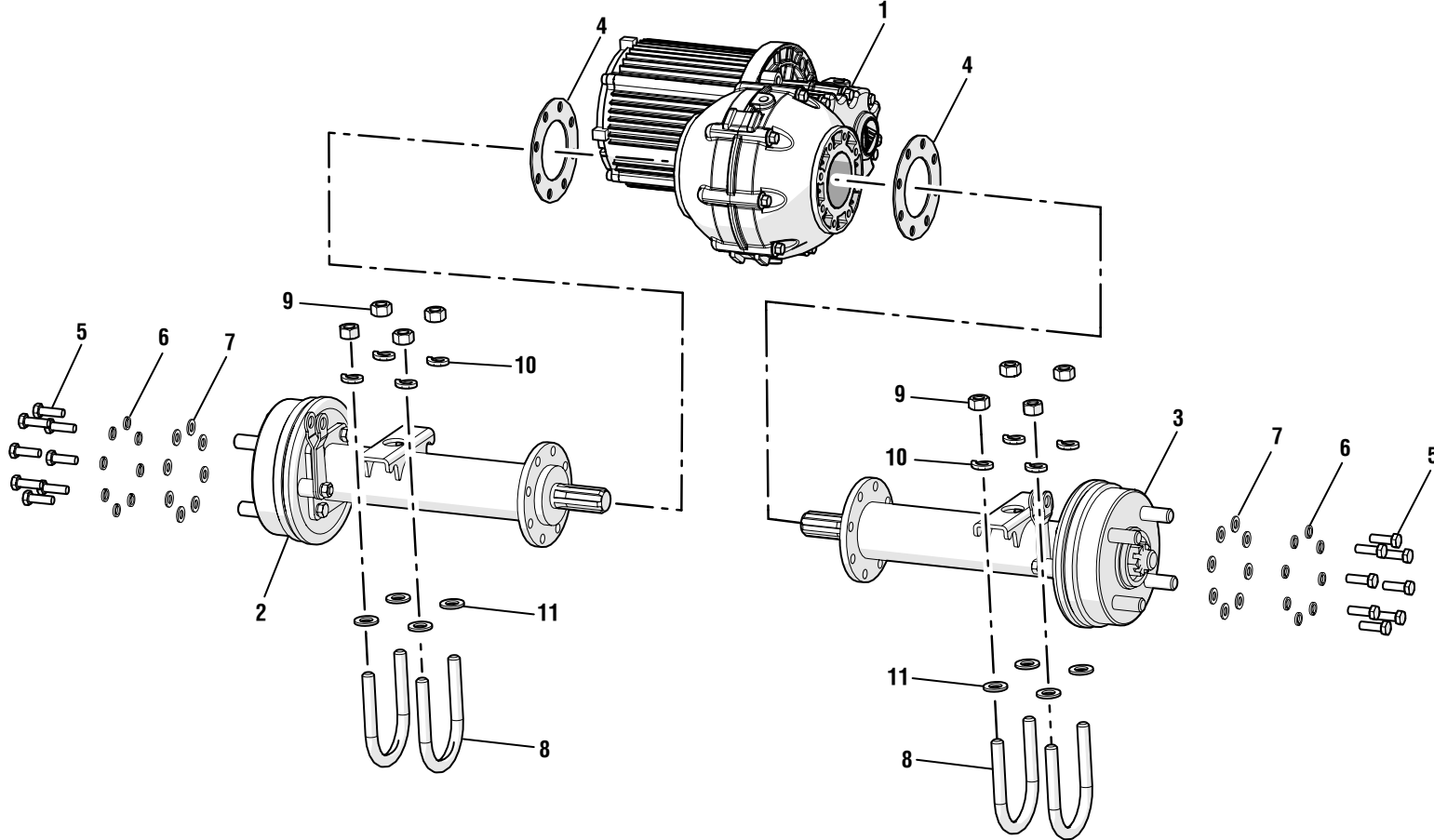
KEY NO.	PART NUMBER	DESCRIPTION	QTY
1	994906001	Grass Deflector .....	1
2	996242001	Mulch Cover Kit .....	1
3	996292001	Retainer Clip .....	1
4	994981001	Hinge Pin (7.85 x 175.85).....	1
5	994980001	Torsion Spring (19 x 62 x 3.02t) .....	1

## 48 V RIDING LAWN MOWER – MODEL NOS. RY48110, RY48111, RY48112

The model number will be found on a label under the seat. Always mention the model number in all correspondence regarding your **LAWN MOWER** or when ordering replacement parts.

**FIGURE H**

### DRIVE TRAIN ASSEMBLY

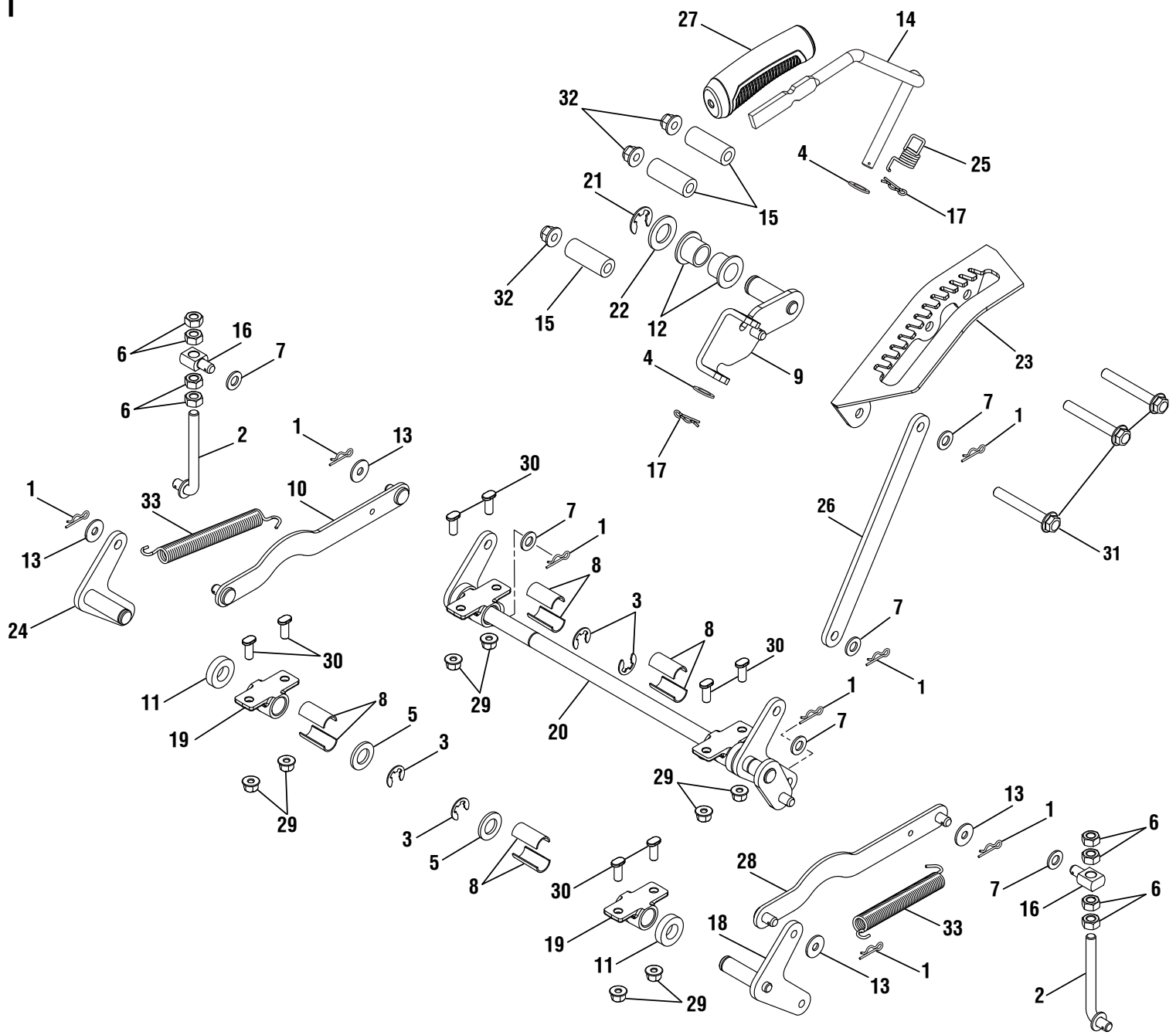


KEY NO.	PART NUMBER	DESCRIPTION	QTY
1	994920001	Transaxle.....	1
2	994801001	Left Rear Axle .....	1
3	994800001	Right Rear Axle .....	1
4	996045001	Transmission Gasket.....	2
5	996046001	Bolt (M8 x 25 mm).....	16
6	994770001	Lock Washer (8 mm).....	16

KEY NO.	PART NUMBER	DESCRIPTION	QTY
7	994771001	Washer (OD16 x ID8.4 x 1.6t) .....	16
8	994809001	U-Bolt.....	4
9	994788001	Hex Nut (M12 x 1.75 mm).....	8
10	996062001	Spring Washer (OD20 x ID12.4 x 2t).....	8
11	994891001	Washer (OD24 x ID13 x 2.5t) .....	8

FIGURE I

DECK LIFTING ASSEMBLY



## 48 V RIDING LAWN MOWER – MODEL NOS. RY48110, RY48111, RY48112

The model number will be found on a label under the seat. Always mention the model number in all correspondence regarding your **LAWN MOWER** or when ordering replacement parts.

### FIGURE I

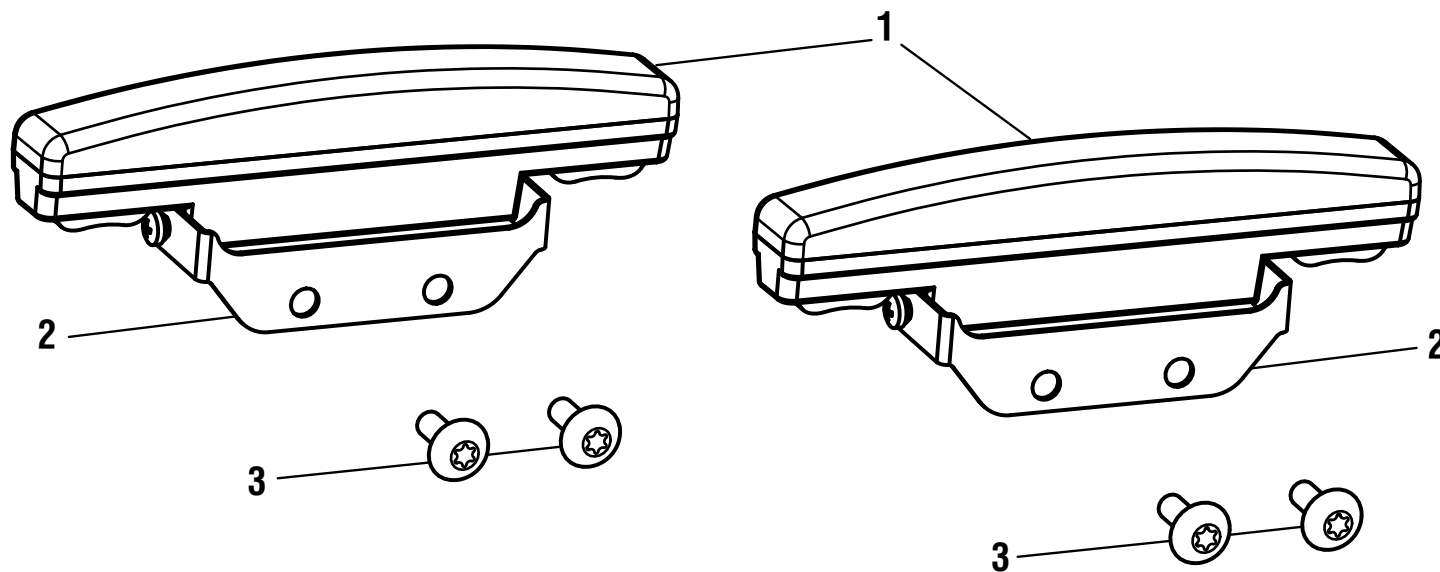
### DECK LIFTING ASSEMBLY

KEY NO.	PART NUMBER	DESCRIPTION	QTY	KEY NO.	PART NUMBER	DESCRIPTION	QTY
1	996264001	Cotter Pin (10 mm).....	8	18	996196001	Front Lifting Axle, Left.....	1
2	994829001	Hanger Stud.....	2	19	994845001	Frame Mount Hanger Bracket .....	2
3	994833001	E-Ring Clip (12 mm).....	4	20	996199001	Rear Lifting Axle.....	1
4	994891001	Washer (OD24 x ID13 x 2.5t) .....	2	21	996267001	E-Ring Clip (15 mm).....	1
5	994763001	Washer (OD30 x ID17 x 3t) .....	2	22	994766001	Washer (OD37 x ID21 x 3t) .....	1
6	996263001	Nut (M10) .....	8	23	994921001	Detent Plate (4 mm) .....	1
7	994996001	Washer (OD20 x ID10.5 x 2t) .....	6	24	996195001	Front Lifting Axle, Right .....	1
8	994846001	Half Bushing Sleeve.....	8	25	994888001	Torsion Spring.....	1
9	996200001	Deck Lift Pivot Assembly.....	1	26	994887001	Deck Lift Lever Double Link.....	1
10	996198001	Right Linkage Assembly .....	1	27	994972001	Decklift Handle.....	1
11	994852001	Deck Lift Spacer .....	2	28	996197001	Linkage Assembly, Left.....	1
12	996004001	Pivot Plastic Sleeve .....	2	29	994867001	Flange Nut (M8) .....	8
13	994996001	Washer (OD20 x ID10.5 x 2t) .....	4	30	996219001	Bolt (M8 x 25 mm, Flush Mount).....	8
14	994885001	Lever Rod .....	1	31	996253001	Flange Bolt (M10 x 75 mm, Hex Hd.).....	3
15	996226001	Spacer (10.5 x 20 x 51).....	3	32	996192001	Lock Nut (M10 x 1.5 mm) .....	3
16	994828001	Hanger Stud Mount .....	2	33	994911001	Tension Spring (Deck).....	2
17	994892001	Cotter Pin (12 mm).....	2				

The model number will be found on a label under the seat. Always mention the model number in all correspondence regarding your **LAWN MOWER** or when ordering replacement parts.

**FIGURE J**

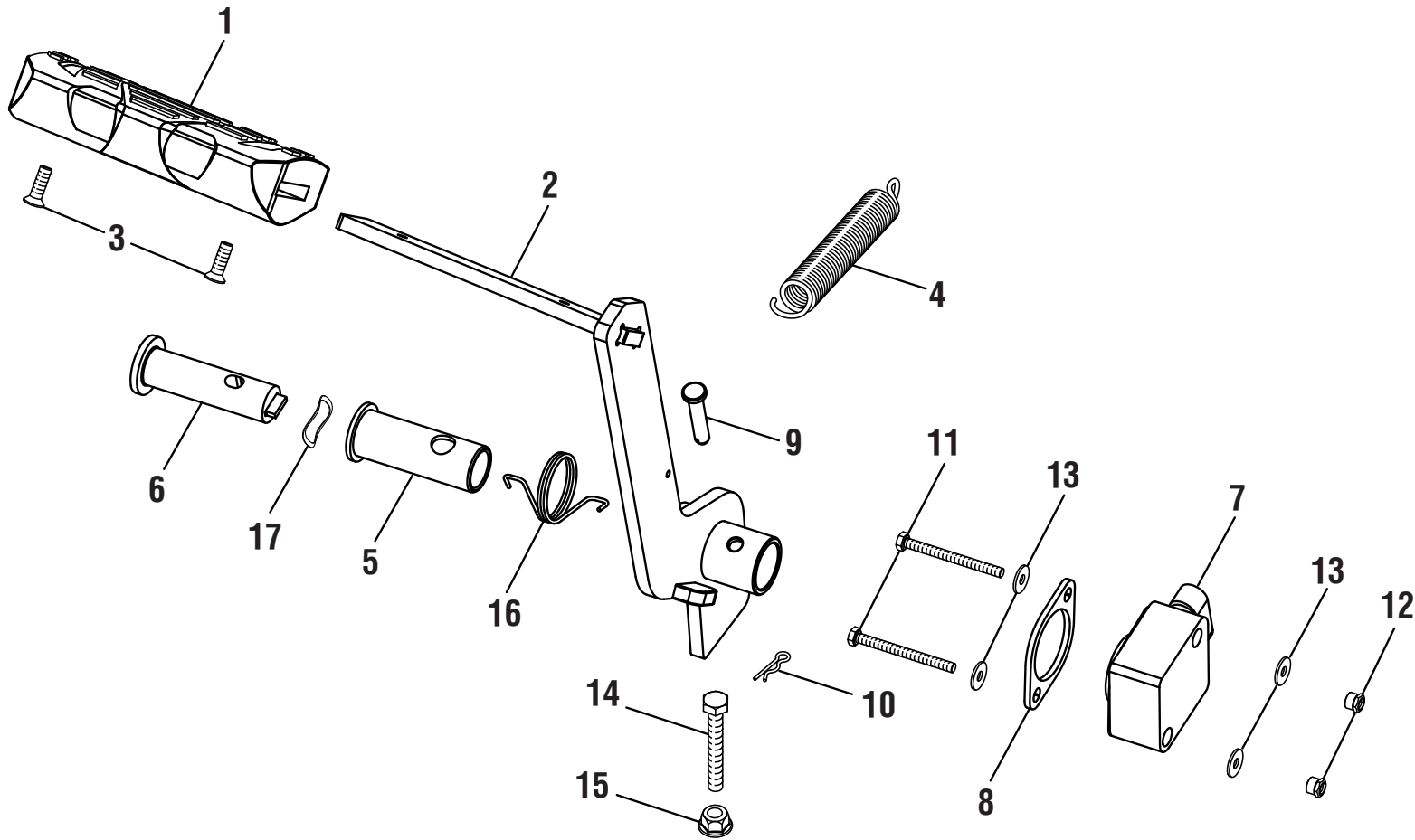
**HEADLIGHT ASSEMBLY**



KEY NO.	PART NUMBER	DESCRIPTION	QTY
1	994957001	Light Assembly (Inc. Key Nos. 2).....	2
2	996028001	Bracket (Bracket Only).....	2
3	994989001	Screw (M6 x 16, Torx. Pan Hd.).....	4

FIGURE K

ACCELERATOR ASSEMBLY





**48 V RIDING LAWN MOWER – MODEL NOS. RY48110, RY48111, RY48112**

The model number will be found on a label under the seat. Always mention the model number in all correspondence regarding your **LAWN MOWER** or when ordering replacement parts.

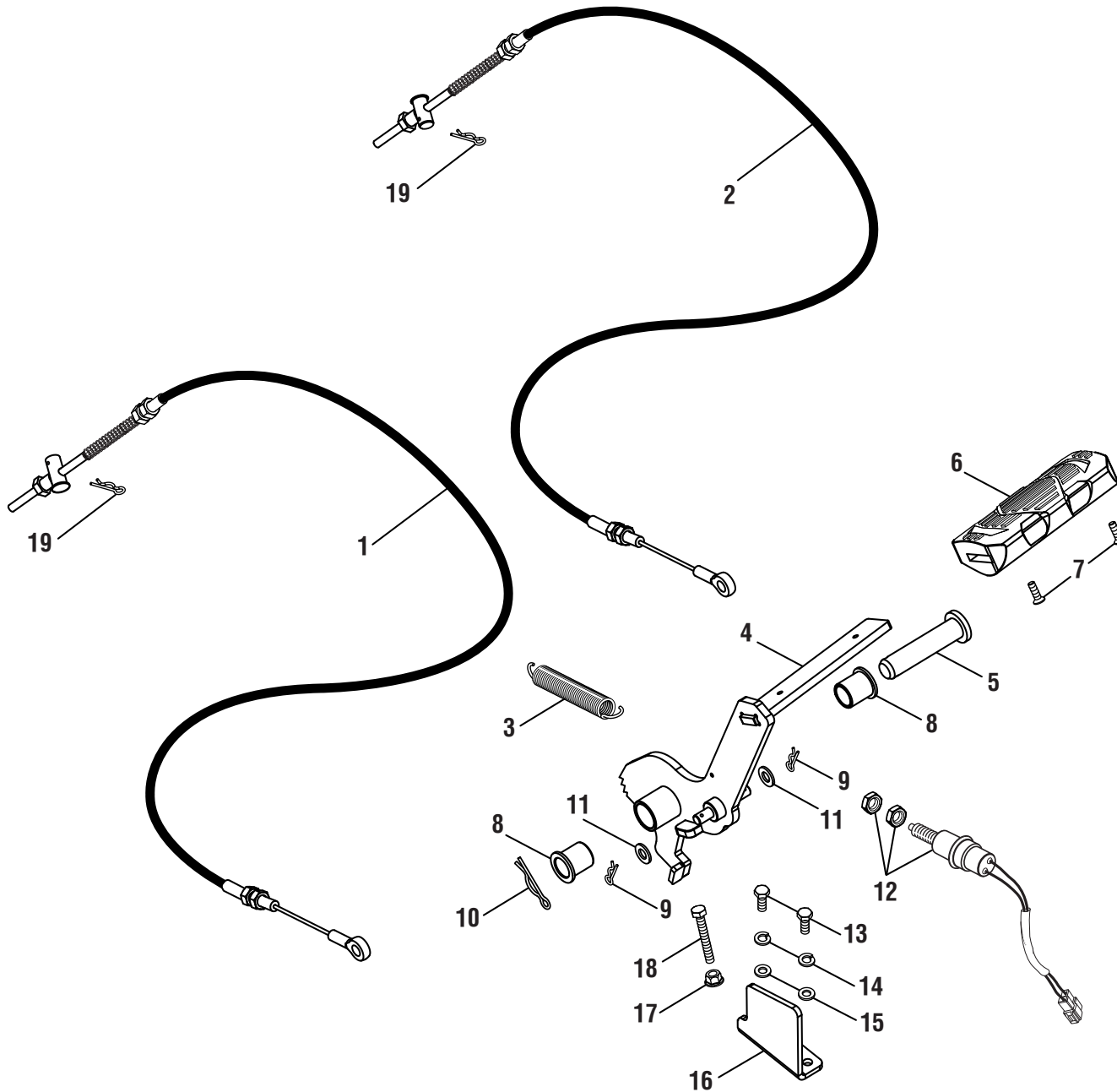
**FIGURE K**

**ACCELERATOR ASSEMBLY**

<b>KEY NO.</b>	<b>PART NUMBER</b>	<b>DESCRIPTION</b>	<b>QTY</b>
1	994931001	Brake Pedal .....	1
2	994859001	Acceleration Pedal.....	1
3	994937001	Screw (M5 x 16 mm, Flat Hd.) .....	2
4	994838001	Pedal Spring .....	1
5	994848001	Accelerator Axle Bushing.....	1
6	994847001	Accelerator Axle.....	1
7	994840001	Speed Control Switch.....	1
8	994858001	Control Switch Mounting Bracket.....	1
9	994769001	Clevis Pin (6 x 30 mm) .....	1
10	996293001	Cotter Pin (6 mm).....	1
11	996254001	Bolt (M4 x 45 mm, Hex Hd.) .....	2
12	996301001	Nut (M4 x 0.7, Lock).....	2
13	996294001	Washer (OD12 x ID4.3 x 1t) .....	4
14	996061001	Bolt (M6 x 45 mm, Hex Hd.) .....	1
15	994792001	Flange Nut (M6) .....	1
16	996365001	Torsion Spring.....	1
17	996355001	Wavy Washer .....	1

FIGURE L

BRAKE PEDAL ASSEMBLY



**48 V RIDING LAWN MOWER – MODEL NOS. RY48110, RY48111, RY48112**

The model number will be found on a label under the seat. Always mention the model number in all correspondence regarding your **LAWN MOWER** or when ordering replacement parts.

**FIGURE L**

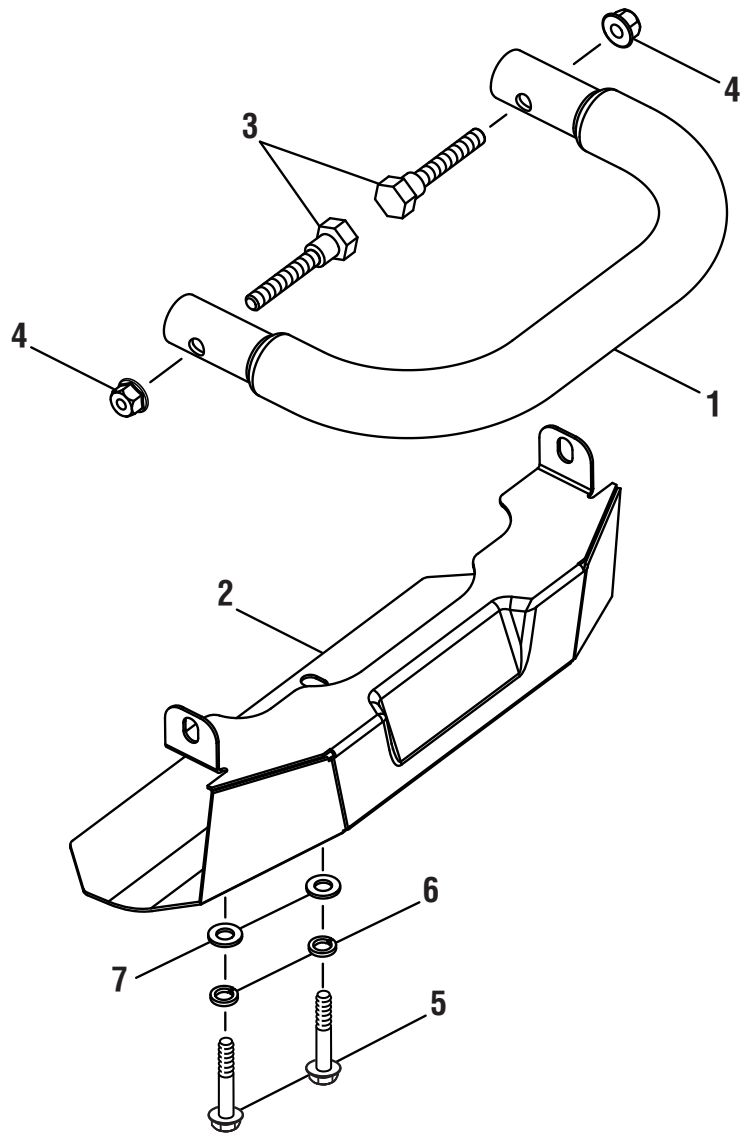
**BRAKE PEDAL ASSEMBLY**

<b>KEY NO.</b>	<b>PART NUMBER</b>	<b>DESCRIPTION</b>	<b>QTY</b>
1	996000001	Right Brake Cable.....	1
2	994999001	Left Brake Cable.....	1
3	994838001	Pedal Spring.....	1
4	994927001	Lever.....	1
5	994929001	Clevis Pin.....	1
6	994931001	Brake Pedal.....	1
7	994937001	Screw (M5 x 16 mm, Flat Hd.).....	2
8	994928001	Bushing.....	2
9	996013001	Lock Pin (8 mm).....	2
10	994930001	Lock Pin (16 mm).....	1
11	994771001	Washer (OD16 x ID8.4 x 1.6t).....	2
12	994837001	Brake Switch Assembly.....	1
13	996282001	Bolt (M6 x 16 mm, Hex Hd.).....	2
14	996058001	Spring Washer (M6).....	2
15	996281001	Washer (OD12 x ID6.4 x 1.6t).....	2
16	996206001	Brake Switch Guard.....	1
17	994792001	Flange Nut (M6).....	1
18	996061001	Bolt (M6 x 45 mm, Hex Hd.).....	1
19	994892001	Lock Pin.....	2

The model number will be found on a label under the seat. Always mention the model number in all correspondence regarding your **LAWN MOWER** or when ordering replacement parts.

**FIGURE M**

**FRONT BUMPER AND SKID ASSEMBLY**



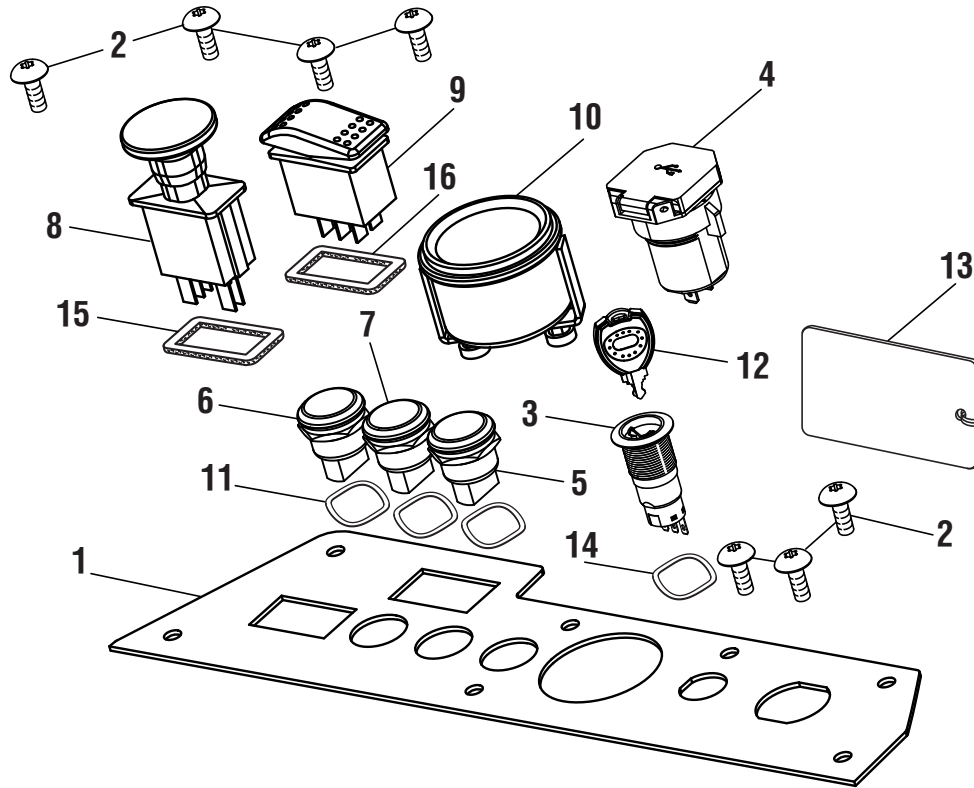
KEY NO.	PART NUMBER	DESCRIPTION	QTY
1	994894001	Mower Bumper Tube .....	1
2	996023001	Front Bumper Cover .....	1
3	996289001	Shoulder Bolt (M8 x 50 mm) .....	2
4	994867001	Lock Nut (M8 x 1.25).....	2
5	994795001	Shoulder Bolt (M8 x 45 mm, Hex Flange Hd.) .....	2
6	994770001	Lock Washer (8 mm) .....	2
7	994771001	Washer (OD16 x ID8.4 x 1.6t) .....	2

## 48 V RIDING LAWN MOWER – MODEL NOS. RY48110, RY48111, RY48112

The model number will be found on a label under the seat. Always mention the model number in all correspondence regarding your **LAWN MOWER** or when ordering replacement parts.

**FIGURE N**

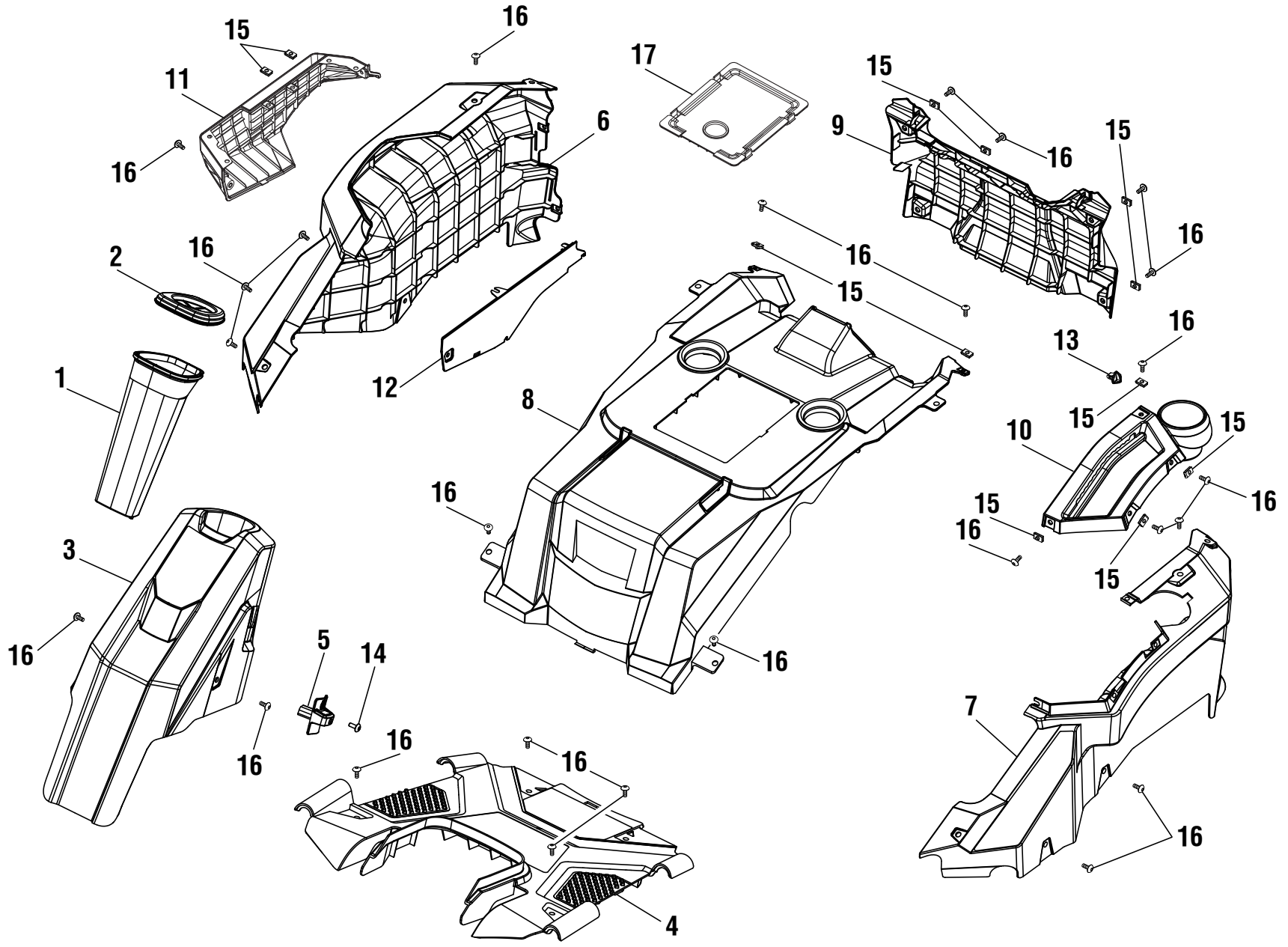
### CONTROL PANEL ASSEMBLY



KEY PART NO. NUMBER	DESCRIPTION	QTY	KEY PART NO. NUMBER	DESCRIPTION	QTY
1	994961001 Face Plate .....	1	9	994969001 Toggle Switch.....	1
2	994989001 Screw (M6 x 10 mm, Soc. Button Hd.) .....	7	10	994965001 Gauge Module .....	1
3	994964001 Switch Key Module.....	1	11	996361001 Wavy Washer .....	3
4	994963001 USB Module.....	1	12	996049001 Key .....	1
5	994966001 Light Switch .....	1	13	996288001 Warning Tag .....	1
6	994968001 Cruise Button .....	1	14	996362001 Wavy Washer .....	1
7	994967001 Reverse Mow Operation Button .....	1	15	996345001 Rubber Gasket.....	1
8	994970001 Power Take Off Button (PTO).....	1	16	996344001 Gasket.....	1

FIGURE 0

PANEL HOUSING



## 48 V RIDING LAWN MOWER – MODEL NOS. RY48110, RY48111, RY48112

The model number will be found on a label under the seat. Always mention the model number in all correspondence regarding your **LAWN MOWER** or when ordering replacement parts.

### FIGURE 0

#### PANEL HOUSING

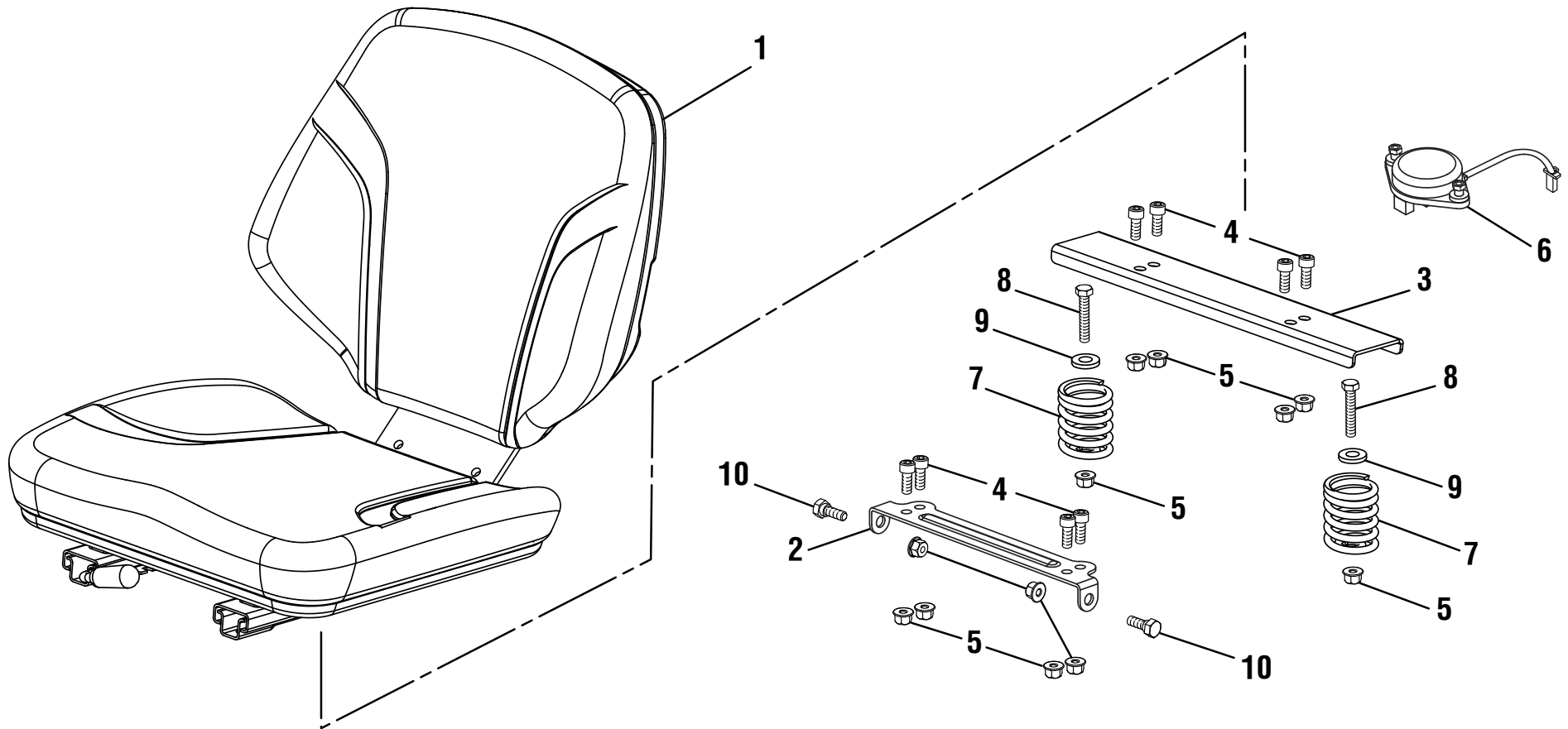
KEY NO.	PART NUMBER	DESCRIPTION	QTY
1	994901001	Upper Steering Column .....	1
2	994902001	Steering Column Cover .....	1
3	994883001	Lower Steering Column .....	1
4	994876001	Floor Pan.....	1
5	994910001	Parking Brake Lever.....	1
6	994879001	Right Fender Housing.....	1
7	994880001	Left Fender Housing .....	1
8	994907001	Seat Pan .....	1
9	994895001	Rear Mover Cover.....	1
10	994900001	Deck Lift Console .....	1
11	994882001	Console.....	1
12	994786001	Rear Console Cover.....	1
13	994958001	Indicator Flag .....	1
14	996297001	Screw (M4 x 10 mm, Pan Hd.).....	1
15	994785001	Clip-On Nut (M6).....	12
16	994989001	Screw (M6 x 16 mm, Torx Soc. Hd.) .....	26
17	996002001	Battery Access Cap.....	1

## 48 V RIDING LAWN MOWER – MODEL NOS. RY48110, RY48111, RY48112

The model number will be found on a label under the seat. Always mention the model number in all correspondence regarding your **LAWN MOWER** or when ordering replacement parts.

**FIGURE P**

### SEAT AND SEAT SPRINGS



KEY NO.	PART NUMBER	DESCRIPTION	QTY
1	996274001	P6 Seat .....	1
2	996275001	Seat Base Plate .....	1
3	996276001	Seat Base Plate, Rear.....	1
4	996302001	Screw (M8 x 16 mm).....	8
5	994867001	Flange Lock Nut (M8 x 1.25, Hex Hd.).....	12

KEY NO.	PART NUMBER	DESCRIPTION	QTY
6	996277001	Seat Switch.....	1
7	994839001	Seat Spring .....	2
8	994795001	Bolt (M8 x 45 mm).....	2
9	994827001	Washer (OD 24 x ID8.4 x 2t) .....	2
10	994849001	Shoulder Bolt (M8 x 20 mm).....	2

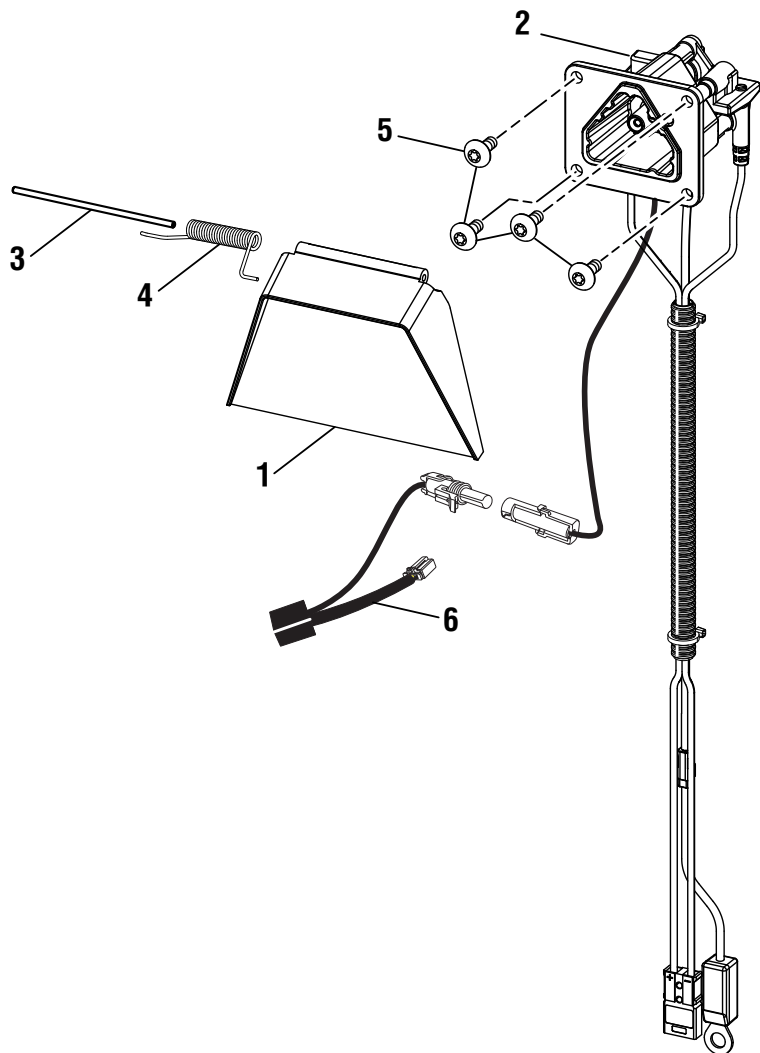


**48 V RIDING LAWN MOWER – MODEL NOS. RY48110, RY48111, RY48112**

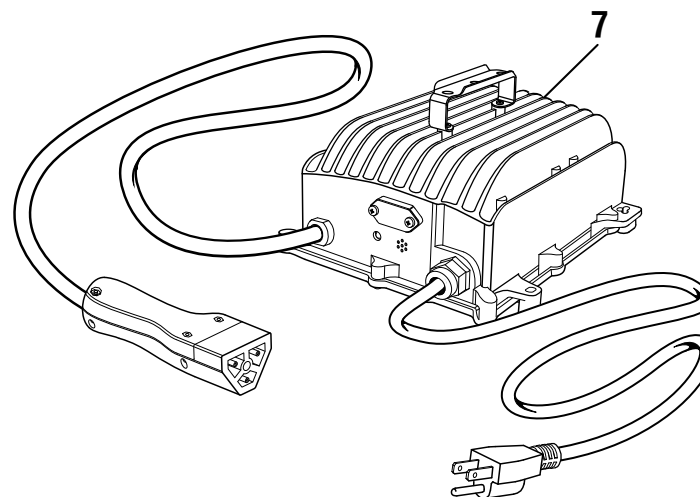
The model number will be found on a label under the seat. Always mention the model number in all correspondence regarding your **LAWN MOWER** or when ordering replacement parts.

**FIGURE Q**

**CHARGER PORT ASSEMBLY**



KEY NO.	PART NUMBER	DESCRIPTION	QTY
1	996208001	Charger Port Hinge Door .....	1
2	996207001	Charger Receptacle .....	1
3	996283001	Hinge Pin .....	1
4	996210001	Torsion Spring.....	1
5	994989001	Screw (M6 x 16 mm, Torx Soc. Hd.).....	4
6	996342001	Charger Lockout Circuit.....	1
7	996240001	Charger .....	1

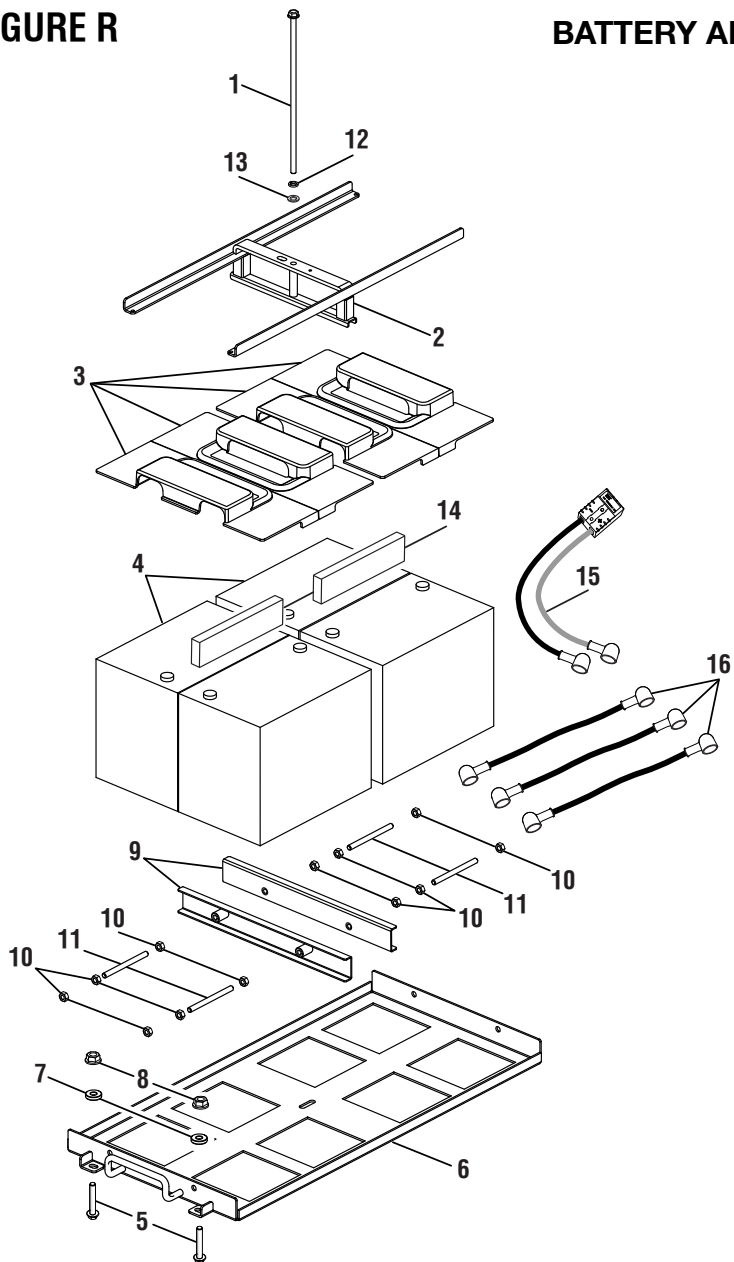


## 48 V RIDING LAWN MOWER – MODEL NOS. RY48110, RY48111, RY48112

The model number will be found on a label under the seat. Always mention the model number in all correspondence regarding your **LAWN MOWER** or when ordering replacement parts.

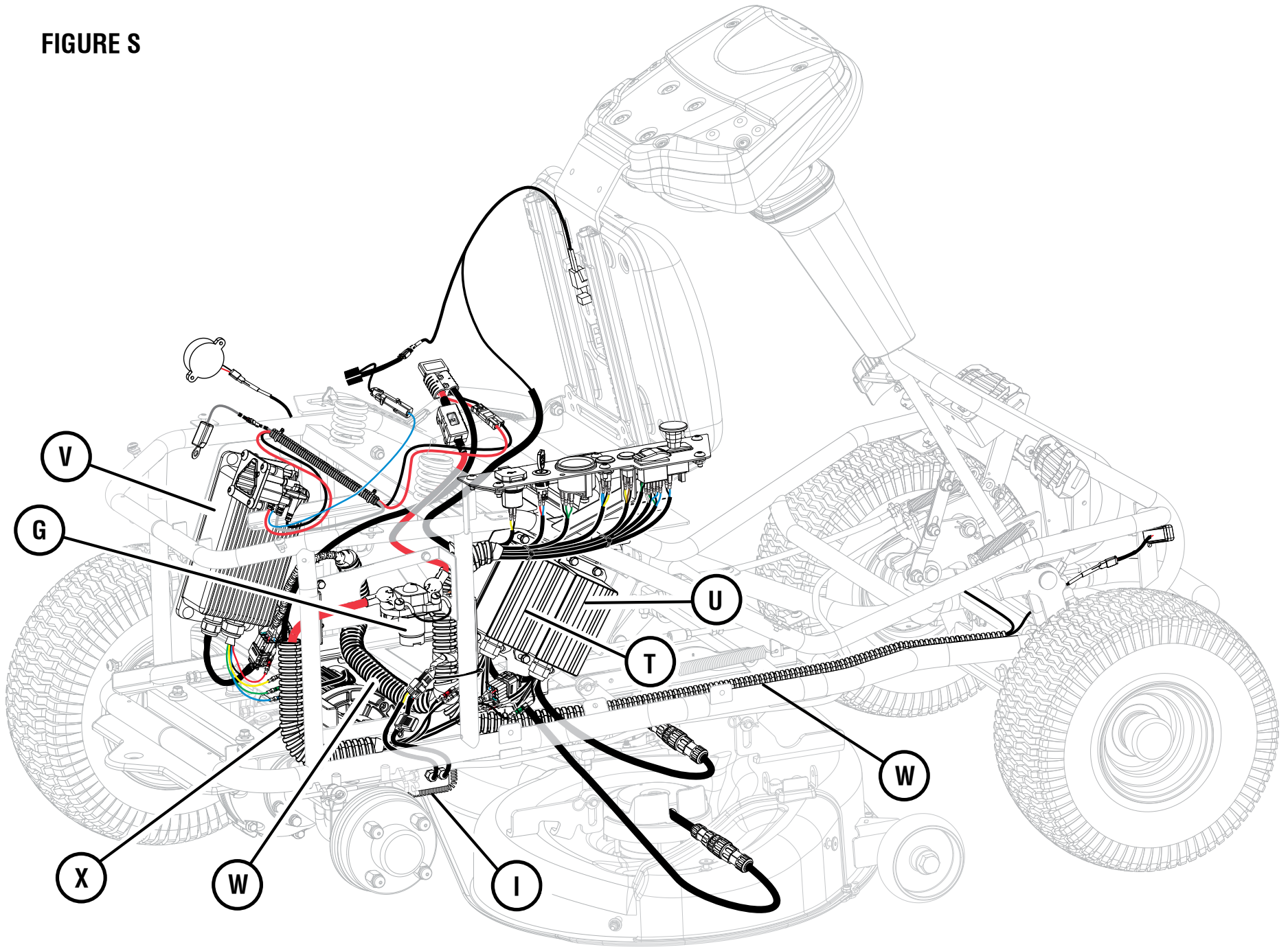
**FIGURE R**

### BATTERY AND BATTERY TRAY ASSEMBLY



KEY NO.	PART NUMBER	DESCRIPTION	QTY
1	996357001	Bolt (M8).....	1
2	994925001	Battery Tie Down .....	1
3	994990001	Battery Cover .....	4
4	996269001	Battery (LPC12-75, RY48110, RY48112).....	4
	996239001	Battery (LPC12-100, RY48111).....	4
5	996237001	Flange Bolt (M8 x 55 mm, Hex Hd.).....	2
6	994923001	Battery Tray.....	1
7	996038001	Metal Bushing .....	2
8	994867001	Flange Nut (M8) .....	2
9	996351001	Battery Holder Bracket .....	2
10	996346001	Hex Nut (M8).....	12
11	996350001	Threaded Rod (M8 x 100 mm) .....	4
12	994770001	Lock Washer (OD9.8 x ID8.5 x 5t).....	1
13	994954001	Washer (OD12.5 x ID8.4 x 4t) .....	1
14	996363001	Battery Spacer (LPC12-75).....	2
15	996270001	Two Wire Battery Cable (4 AWG Black & 4 AWG Red, 250 mm).....	1
16	996272001	Battery Cable w/Covers (Red and Black, 120 mm) .....	3

FIGURE S



**48 V RIDING LAWN MOWER – MODEL NOS. RY48110, RY48111, RY48112**

The model number will be found on a label under the seat. Always mention the model number in all correspondence regarding your **LAWN MOWER** or when ordering replacement parts.

**FIGURE S**

**CONTROLLERS AND WIRING HARNESS**

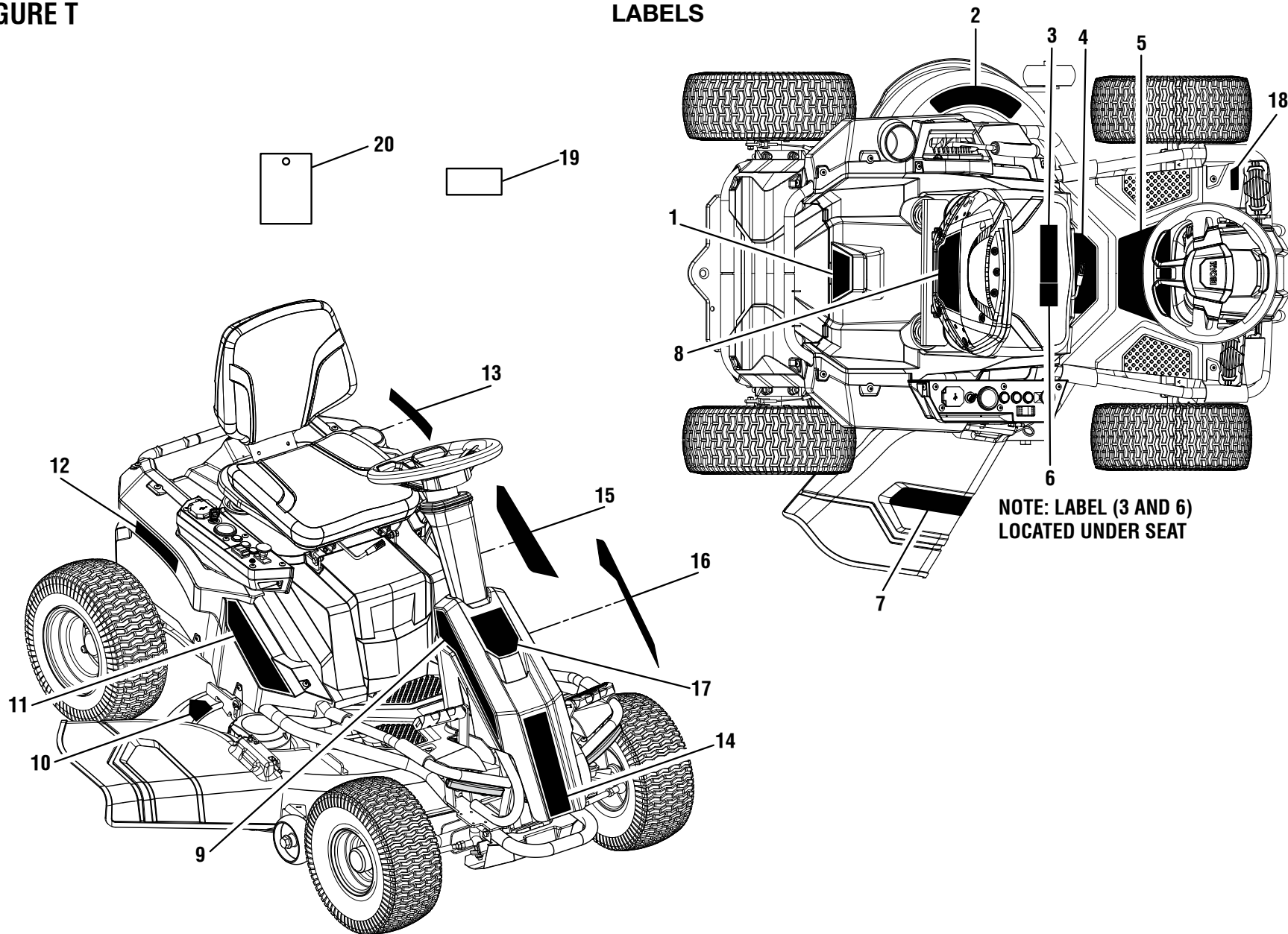
<b>KEY NO.</b>	<b>PART NUMBER</b>	<b>DESCRIPTION</b>	<b>QTY</b>
1	994781001	12 Volt Power Converter (I) .....	1
2	994861001	Master Deck Motor Controller (T) .....	1
3	996244001	Slave Deck Motor Controller (U) .....	1
4	994862001	Drive Motor Controller (V) .....	1
5	996271001	Main Wiring Harness (W) .....	1
6	996273001	Sub Wiring Harness (X) .....	1
7	994993001	Main Relay (G).....	1
<b>NOT SHOWN:</b>			
	996381001	Heat Shrink (19.1 x 80 mm, Main Wiring Harness).....	2
	996382001	Heat Shrink (15.9 x 80 mm, Main Wiring Harness).....	3
	996383001	Heat Shrink (12.7 x 60 mm, Main Wiring Harness).....	6
	996384001	Heat Shrink (25.4 x 80 mm, Drive Motor Controller, Power/Motor Wiring).....	5

# 48 V RIDING LAWN MOWER – MODEL NOS. RY48110, RY48111, RY48112

The model number will be found on a label under the seat. Always mention the model number in all correspondence regarding your **LAWN MOWER** or when ordering replacement parts.

## FIGURE T

## LABELS



## 48 V RIDING LAWN MOWER – MODEL NOS. RY48110, RY48111, RY48112

The model number will be found on a label under the seat. Always mention the model number in all correspondence regarding your **LAWN MOWER** or when ordering replacement parts.

### FIGURE T

### LABELS

KEY NO.	PART NUMBER	DESCRIPTION	QTY	KEY NO.	PART NUMBER	DESCRIPTION	QTY
1	940851222	Charging Port Label, English .....	1	8	941511015	Seat Back Panel .....	1
	940851239	Charging Port Label, English/French .....	1	9	940851212	Right Stripes Label .....	1
	940851231	Charging Port Label, Spanish .....	1	10	940851219	No Hands CPSC Danger Label, English .....	1
2	940851207	Deck Danger Label, English .....	1		940851234	No Hands CPSC Danger Label, English/French .....	1
	940851236	Deck Danger Label, English/French (RY48112) .....	1		940851226	No Hands CPSC Danger Label, Spanish .....	1
	940851227	Deck Danger Label, Spanish .....	1	11	940851209	RM480e Label, Right .....	1
3	941588155	Data Label (RY48110) .....	1	12	940851223	Ryobi Logo Label, Right .....	1
	940851229	Data Label (RY48111) .....	1	13	940705370	Ryobi Logo Label, Left .....	1
	941588157	Data Label (RY48112) .....	1	14	940705382	Front Column Logo Label .....	1
4	940851206	Starting Warning Label, English .....	1	15	940851210	RM480e Label, Left .....	1
	940851233	Starting Warning Label, English/French (RY48112) .....	1	16	940851211	Left Stripes Label .....	1
	940851225	Starting Warning Label, Spanish .....	1	17	940705369	Steering Column Logo Label .....	1
5	940851205	Danger Label, English .....	1	18	940531303	Brake Pedal Label, English .....	1
	940851232	Danger Label, English/French .....	1		940531304	Brake Pedal Label, English/French (RY48112) .....	1
	940851224	Danger Label, Spanish .....	1		940531305	Brake Pedal Label, Spanish .....	1
6	940851240	RPL Label, English .....	1	19	996288001	Watch For Kids, Keychain Label .....	1
	940851264	RPL Label, English/French .....	1	20	941511019	Prop 65 Hangtag .....	1
	940851249	RPL Label, Spanish .....	1				
7	940851208	Discharge Danger Label, English .....	1				
	940851235	Discharge Danger Label, English/French (RY48112) .....	1				
	940851228	Discharge Danger Label, Spanish .....	1				



