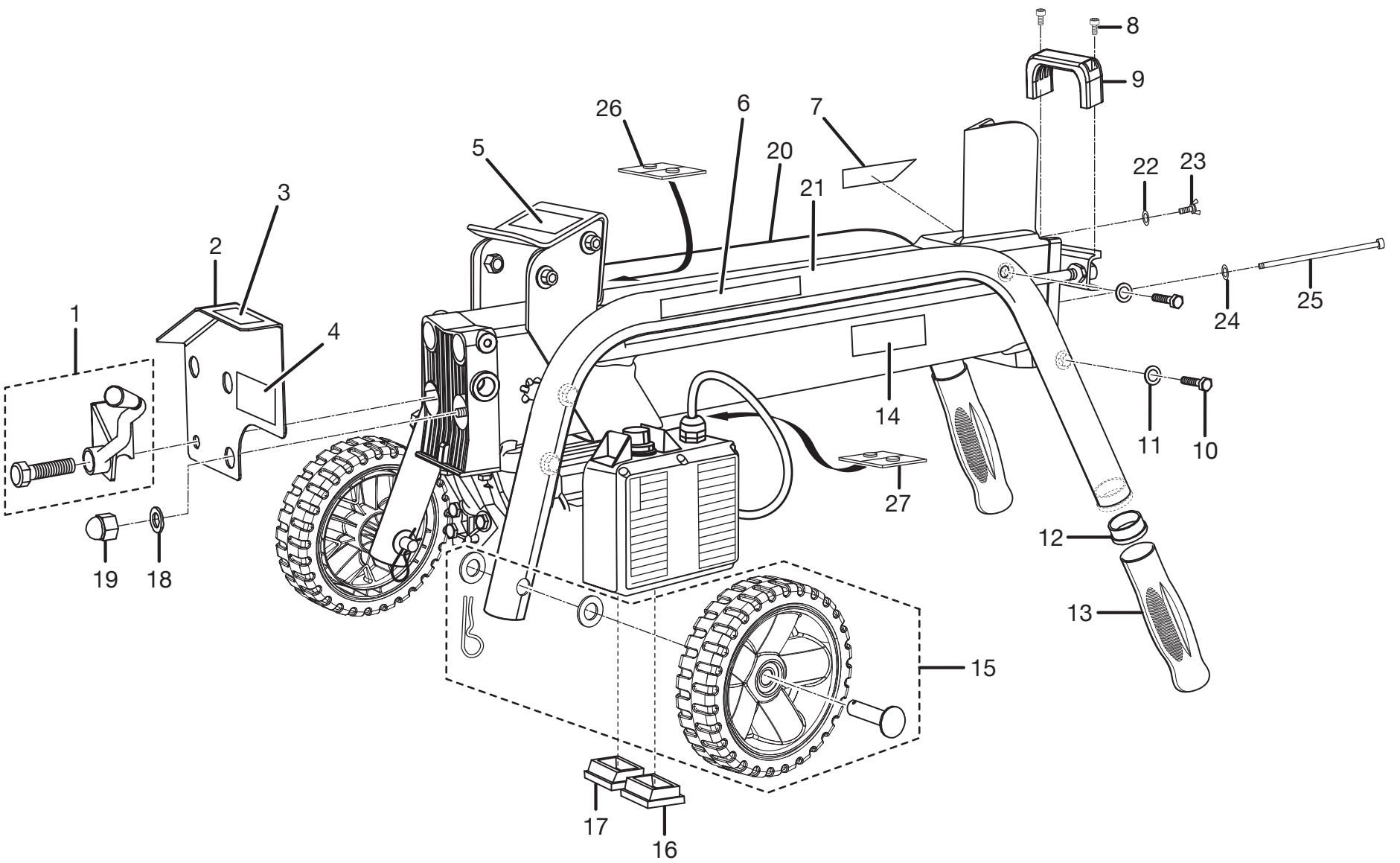


RYOBI ELECTRIC LOG SPLITTER  
MODEL NUMBER RY49701



**RYOBI ELECTRIC LOG SPLITTER  
MODEL NUMBER RY49701**

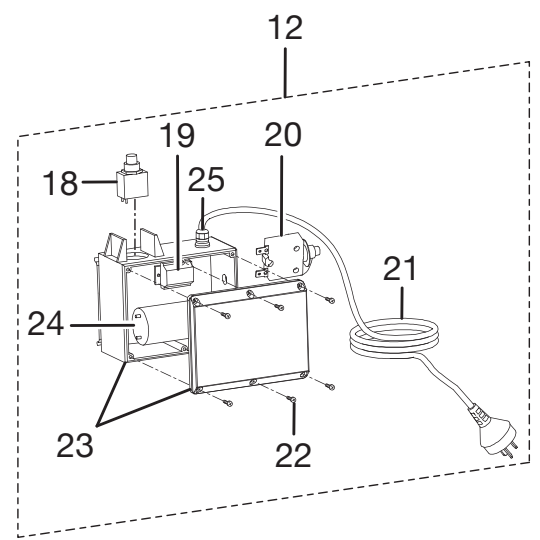
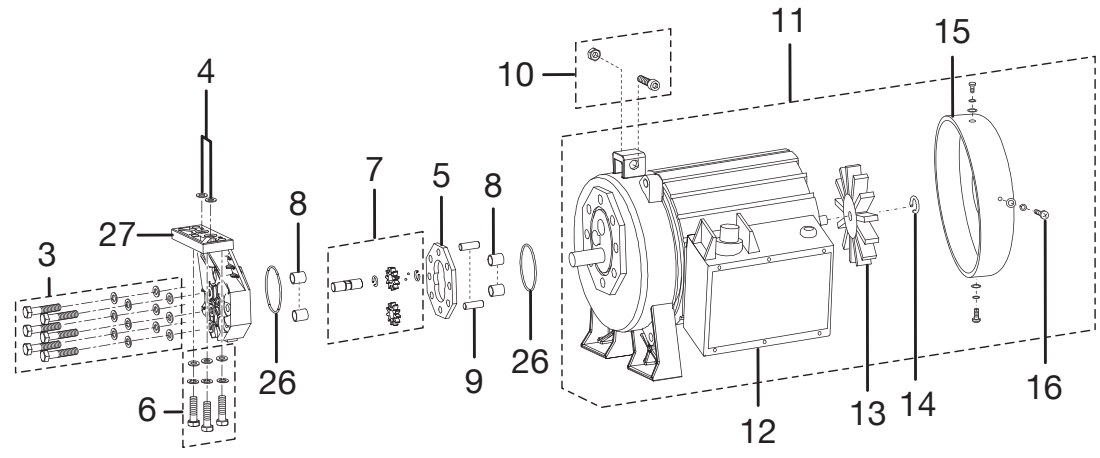
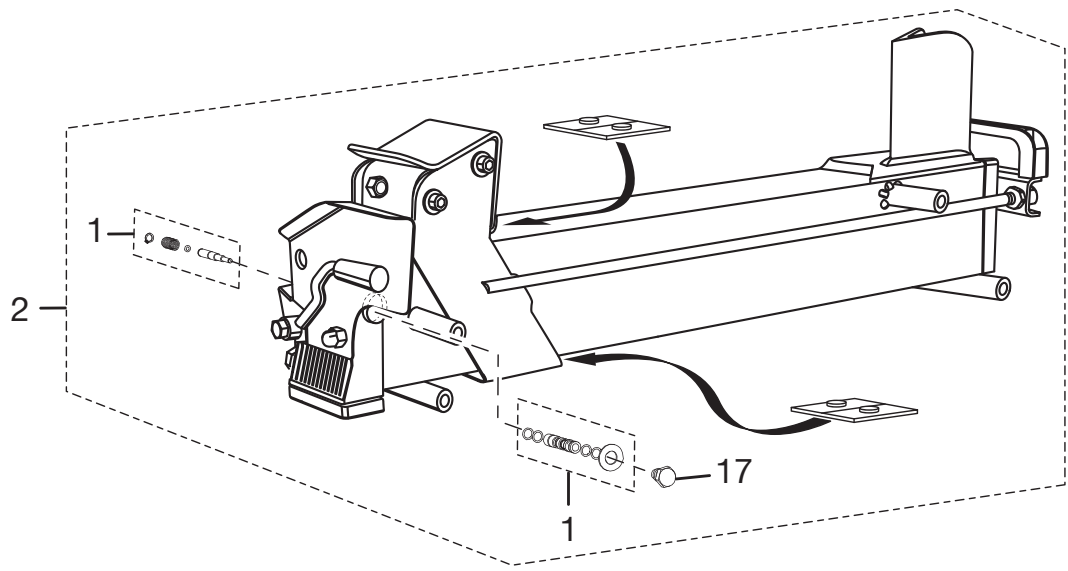
The model number will be found on a plate attached to the motor housing. Always mention the model number in all correspondence regarding your **ELECTRIC LOG SPLITTER** or when ordering repair parts.

**PARTS LIST**

<b>KEY NO.</b>	<b>PART NUMBER</b>	<b>DESCRIPTION</b>	<b>QTY.</b>
1	099077001501	HYDRAULIC CONTROL LEVER .....	1
2	099077001075	CONTROL LEVER GUARD .....	1
3	099077001103	WARNING LABEL .....	1
4	099077001104	DATA LABEL .....	1
5	099077001101	BLEED SCREW INSTRUCTION LABEL.....	1
6	099077001100	WARNING LABEL .....	1
7	099077001102	BLEED SCREW LABEL.....	1
8	099077001018	* SCREW (M5 X 16 mm).....	2
9	099077001019	HANDLE.....	1
10	099077001088	* BOLT (M8 X 55 mm).....	8
11	099077001087	WASHER.....	8
12	099077001031	PLUG .....	2
13	099077001032	RUBBER GRIP .....	2
14	099077001099	LOGO LABEL.....	2
15	099077001502	WHEEL ASSEMBLY .....	2
16	099077001049	RUBBER FOOT (R) .....	1
17	099077001051	RUBBER FOOT (L).....	1
18	099077001070	WASHER.....	1
19	099077001071	NUT.....	1
20	099077001085	LEG FRAME (R) .....	1
21	099077001086	LEG FRAME (L).....	1
22	099077001025	O-RING .....	1
23	099077001026	WING BOLT .....	1
24	099077001029	O-RING .....	1
25	099077001030	DIPSTICK.....	1
26	099077001010	UPPER WEAR PAD.....	1
27	099077001091	LOWER WEAR PAD .....	1

\* STANDARD HARDWARE ITEM – MAY BE PURCHASED LOCALLY

**RYOBI ELECTRIC LOG SPLITTER**  
**MODEL NUMBER RY49701**



**RYOBI ELECTRIC LOG SPLITTER  
MODEL NUMBER RY49701**

The model number will be found on a plate attached to the motor housing. Always mention the model number in all correspondence regarding your **ELECTRIC LOG SPLITTER** or when ordering repair parts.

**PARTS LIST**

<b>KEY NO.</b>	<b>PART NUMBER</b>	<b>DESCRIPTION</b>	<b>QTY.</b>
1	099077001503	RAM VALVE ASSEMBLY .....	1
2	099077001504	MAIN BODY ASSEMBLY .....	1
3	099077001063	BOLT ASSEMBLY .....	1
4	099077001065	O-RING .....	2
5	099077001053	GEAR HOUSING PLATE .....	1
6	099077001506	BOLT ASSEMBLY .....	1
7	099077001507	GEAR ASSEMBLY .....	1
8	099077001058	SLEEVE.....	4
9	099077001052	PIN .....	2
10	099077001508	NUT AND BOLT ASSEMBLY .....	1
11	099077001509	MOTOR ASSEMBLY .....	1
12	099077001036	SWITCH BOX ASSEMBLY .....	1
13	099077001121	FAN .....	1
14	099077001122	RETAINING RING.....	1
15	099077001123	SHROUD.....	1
16	099077001124	* SCREW (4 X 10 mm) W/WASHERS.....	3
17	0099077001090	BOLT .....	1
18	099077001037	SWITCH.....	1
19	099077001039	CONNECTION TERMINAL .....	1
20	099077001042	CIRCUIT BREAKER .....	1
21	099077001044	POWER CORD .....	1
22	099077001043	* SCREW (M2.9 X 12 mm).....	6
23	099077001040	SWITCH BOX ASSEMBLY .....	1
24	099077001038	CAPACITOR.....	1
25	099077001125	STRAIN RELIEF .....	1
26	099077001059	O-RING .....	2
27	099077001064	GEAR PUMP COVER .....	1
	983000588	OPERATOR'S MANUAL (099077001108)	
	11-03-06		
	(REV:02)		

\* STANDARD HARDWARE ITEM – MAY BE PURCHASED LOCALLY