

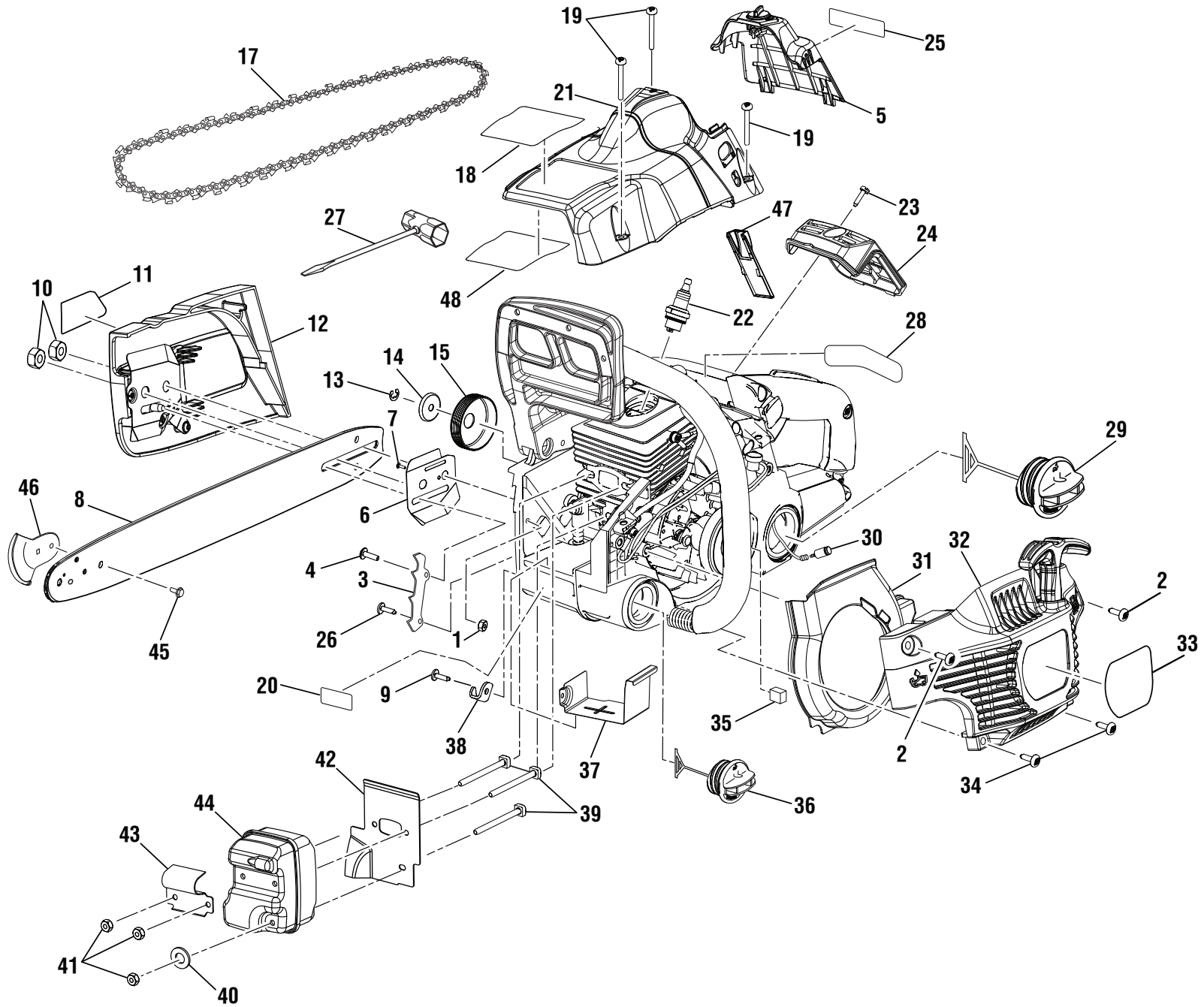
RYOBI
50cc Chain Saw
Item No. RY5020
Mfg. No. 090840001
Repair Sheet

TECHTRONIC INDUSTRIES POWER EQUIPMENT

P.O. Box 1288, Anderson, SC 29622 USA
1-800-860-4050 • www.ryobitools.com

RYOBI CHAIN SAW - ITEM NO. RY5020

FIGURE A



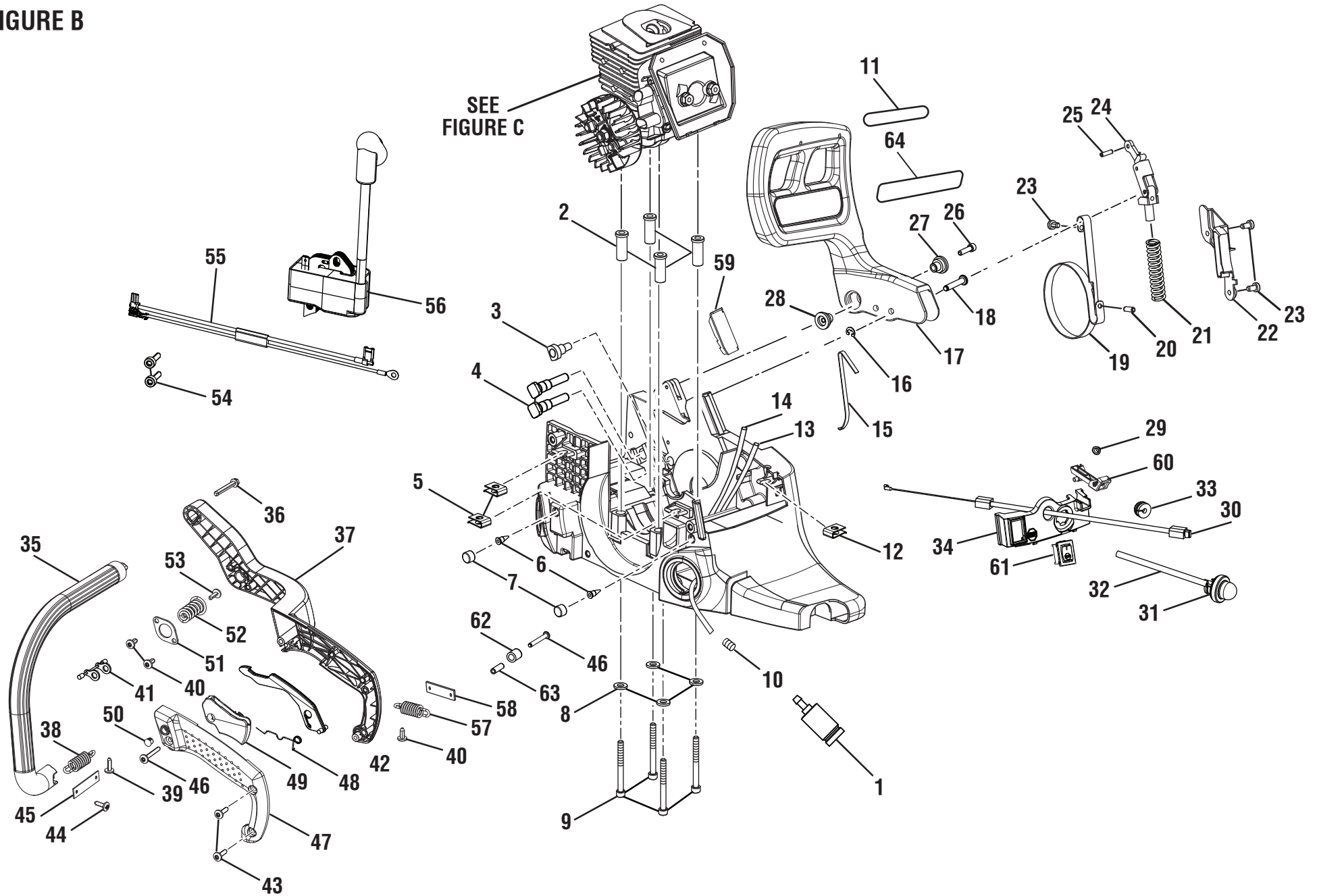
RYOBI CHAIN SAW – ITEM NO. RY5020

The model number will be found on a label attached to the motor housing. Always mention the model number in all correspondence regarding your **CHAIN SAW** or when ordering repair parts.

PARTS LIST (FIGURE A)

KEY NO.	PART NUMBER	DESCRIPTION	QTY	KEY NO.	PART NUMBER	DESCRIPTION	QTY
1	678027002	Lock Nut (10-24)	1	28	941194031	Starting Instruction Label	1
2	660632001	Screw (10-14 x 5/8 in., Torx Pan Hd.)	2	29	300948005	Fuel Cap Assembly	1
3	631039001	Spike Bar.....	1	30	310976001	Fuel Filter.....	1
4	660625001	Screw (10-24 x 5/8 in., Torx Pan Hd.)	1	31	518055004	Fan Housing Baffle.....	1
5	310995001	Filter Cover.....	1	32	314706001	Starter Cover Assembly (Inc. Key No. 33).....	1
6	631036001	Inner Guide Plate	1	33	941194030	Logo Label (Item No. RY5020).....	1
7	T660619001	Screw (6-19 x 1/2 in., T.F.).....	1	34	660637001	Screw (10-14 x 7/8 in., Torx Truss Hd.).....	2
8	311030001	20 in. Guide Bar w/SAFE-T-TIP (Inc. Key Nos. 45-46).....	1	35	900844001	Prefilter.....	1
9	660618001	Screw (10-14 x 1/2 in., Torx Truss Hd. T.F.).....	1	36	300949004	Oil Cap Assembly.....	1
10	678339003	Guide Bar Nut (5/16-18).....	2	37	638455002	Heat Shield.....	1
11	941009076	Logo Label	1	38	631035003	Chain Catcher	1
12	300957019	Chain Cover Assembly.....	1	39	660626002	Bolt (M4 x 71 mm, Square Hd.).....	3
13	671103001	E-Ring	1	40	631056001	Washer (OD16 x ID5.5 x 1.5t).....	1
14	570373054	Cupped Washer	1	41	671079001	Lock Nut (10-32)	3
15	313004001	Sprocket Drum and Bearing Assembly (.325 chain).....	1	42	900848004	Muffler Gasket.....	1
16	941194035	Chain Brake Label.....	1	43	638513009	Muffler Deflector.....	1
17	900920005	Chain (.325 x 78 links, 20 in.)	1	44	309310010	Muffler Assembly	1
18	941194029	Warning Label	1	45	660640001	Screw w/Washer (8-32 x 7/16 in., Hex Hd.).....	1
19	660636001	Screw (10-16 x 1-1/2 in. Special).....	3	46	308944001	SAFE-T-TIP.....	1
20	940654088	Combustion Label.....	1	47	518144001	Cylinder Housing Divider	1
21	314707001	Cylinder Housing (Inc. Key Nos. 18 & 47-48)	1	48	901421003	Heat Shield.....	1
22	870174001	Spark Plug (Champion RCJ6Y).....	1	Not Shown:			
23	660617001	Screw (8-16 x 5/8 in., Torx T.F.)	1	518061013	20 in. Scabbard (Model No. RY5020)		
24	518049007	Air Filter 50cc	1	308280003	Carrying Case (Scabbard Not Included)		
25	941194032	Chain Replacement Label.....	1	995000360	Operator's Manual (961469009)		
26	660621001	Screw (10-14 x 1/2 in., T.F.).....	1	10-31-19			
27	631055005	Combination Wrench	1	(Rev:02)			

FIGURE B



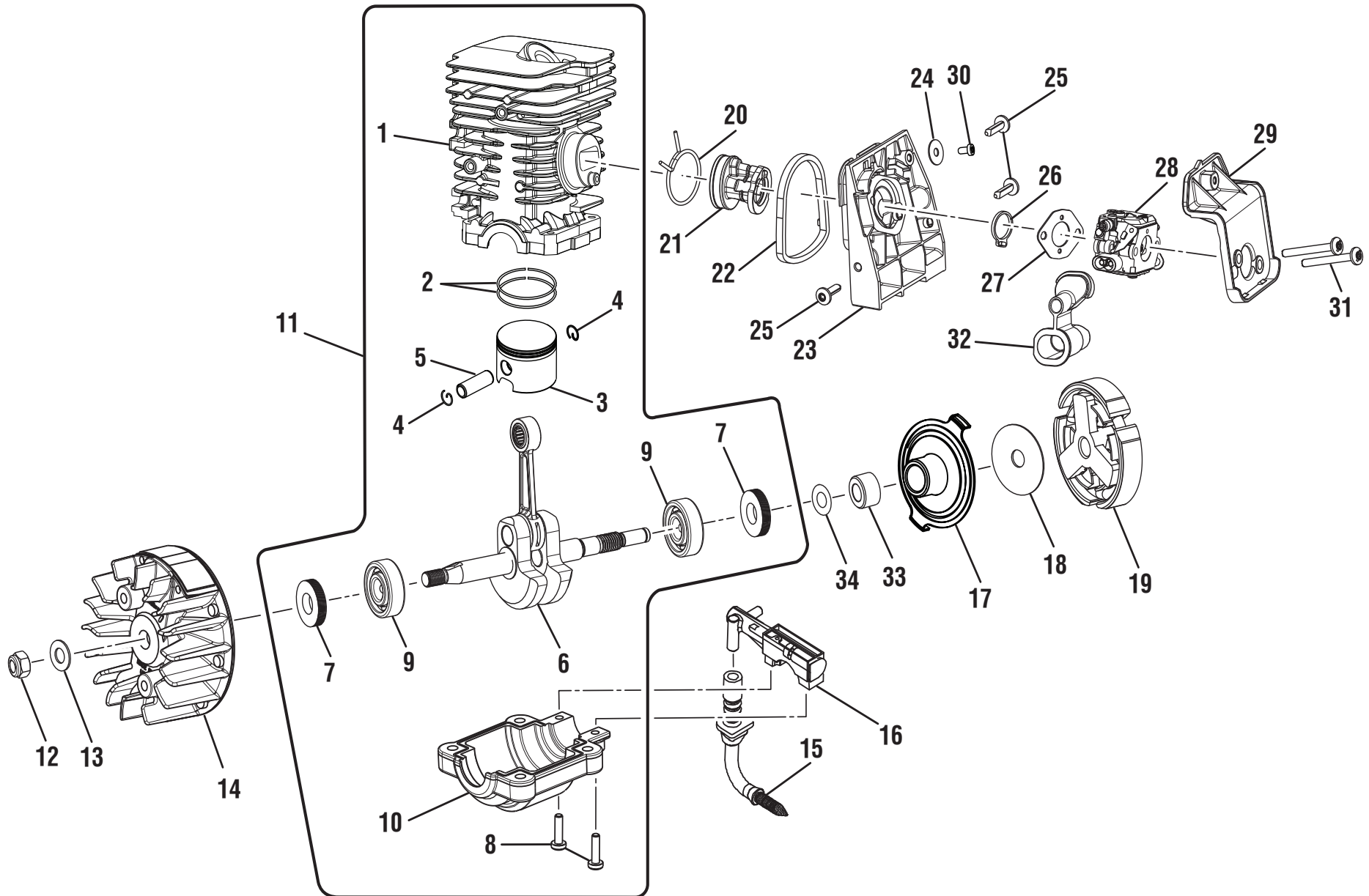
RYOBI CHAIN SAW – ITEM NO. RY5020

The model number will be found on a label attached to the motor housing. Always mention the model number in all correspondence regarding your **CHAIN SAW** or when ordering repair parts.

PARTS LIST (FIGURE B)

KEY NO.	PART NUMBER	DESCRIPTION	QTY	KEY NO.	PART NUMBER	DESCRIPTION	QTY
1	310976001	Fuel Filter Assembly	1	33	570227001	Split Grommet	1
2	671087001	Spacer Insert	4	34	518044004	Control Panel	1
3	570226001	Oil Outlet Grommet	1	35	511724001	Front Handle.....	1
4	660628001	Guide Bar Bolt.....	2	36	660631001	Screw (12-14 x 1-1/2 in., Hex Hd.).....	1
5	671077001	Speed Nut (“U”-type)	2	37	511721004	Rear Handle.....	1
6	560955001	Duck Bill Valve.....	2	38	671101005	Spring	1
7	671088001	Element	2	39	660632001	Screw (10-14 x 5/8 in., T.F.)	1
8	671080001	Washer (OD11 x ID5.5 x 1.5t).....	4	40	660618001	Screw (10-14 x 1/2 in., T.F.)	3
9	660622001	Screw (10-24 x 2 in., T27 Torx Hd.)	4	41	308776005	Limiter (Upper Isolator Spring)	1
10	690765001	Hose Clamp.....	1	42	518051007	Trigger Release	1
11	941009066	Pull To Release Brake Label.....	1	43	660629001	Screw (10-14 x 3/4 in., T.F.)	2
12	671077002	Speed Nut (“U”-type)	1	44	660719001	Screw (10-14 x 5/8 in., T.F.)	1
13	562967005	Inlet Tubing (166 mm).....	1	45	631050003	Spring Retainer.....	1
14	570373054	Return Tubing (220 mm).....	1	46	660633001	Screw (10-14 x 1-3/8 in.).....	2
15	638024001	Spring (Hand Guard).....	1	47	511722003	Handle Cover	1
16	671075001	Retaining Ring	1	48	678037001	Torsion Spring	1
17	314708001	Hand Guard Assembly (Inc. Key Nos. 11, 26-28 & 64).....	1	49	518052003	Trigger.....	1
18	620282001	Hand Guard Actuating Pin	1	50	518050001	Plug	1
19	631063002	Brake Band.....	1	51	631051001	Isolator Plate	1
20	671095001	Spring Pin.....	1	52	671098003	Isolator Spring	1
21	678113001	Compression Spring.....	1	53	660630001	Screw (10-24 x 5/8 in., T.F.)	1
22	511720002	Chain Brake Cover	1	54	660639001	Screw (8-32 x 3/4 in., T.F.)	2
23	660634001	Screw (8-16 x 5/16 in., T25 Torx Pan Hd.)	3	55	290298002	Wiring Harness Assembly	1
24	300954003	Chain Brake Link Assembly	1	56	290178036	Ignition Module Assembly	1
25	671099001	Spring Pin (Small)	1	57	671101006	Spring	1
26	660635001	Screw (8-32 x 5/8 in., Soc. Hd.)	1	58	631050004	Spring Retainer.....	1
27	671096001	Pivot (Right Hand)	1	59	631370001	Baffle	1
28	671097001	Pivot (Left Hand).....	1	60	310952001	Choke Lever (Inc. Key No. 29).....	1
29	631034002	Hair Pin	1	61	760961002	Stop Switch.....	1
30	900885001	Throttle Cable.....	1	62	563600001	Rubber Bumper.....	1
31	308088003	Primer Bulb.....	1	63	694503001	Spacer (Spring Screw).....	1
32	570373055	Primer Tubing (64 mm)	1	64	941194035	Warning Icon Label.....	1

FIGURE C



RYOBI CHAIN SAW – ITEM NO. RY5020

The model number will be found on a label attached to the motor housing. Always mention the model number in all correspondence regarding your **CHAIN SAW** or when ordering repair parts.

PARTS LIST (FIGURE C)

KEY NO.	PART NUMBER	DESCRIPTION	QTY	KEY NO.	PART NUMBER	DESCRIPTION	QTY
1	640200022	Cylinder	1	18	639743001	Thrust Washer	1
2	678747006	Piston Ring	2	19	308536002	Clutch Assembly	1
3	640350019	Piston	1	20	671267001	Wire Clamp.....	1
4	678053001	Retaining Ring	2	21	570243001	Intake Boot.....	1
5	620392001	Piston Pin	1	22	518047001	Carburetor Adaptor Seal	1
6	309160011	Crankshaft Assembly	1	23	308081002	Carburetor Adapter	1
7	570220004	Shaft Seal	2	24	671072001	Washer (OD16 x ID5 x 0.75t).....	1
8	660627001	Screw (8-32 x 5/8 in., T25 Torx Hd.).....	2	25	660629001	Screw (10-14 x 3/4 in., T25 Torx Truss Head T.F.).....	3
9	671089002	Ball Bearing	2	26	518045001	Carburetor Plate	1
10	640843004	Crankcase	1	27	900886002	Carburetor Gasket.....	1
11	309890010	Short Block Assembly (Inc. Key Nos. 1-10)	1	28	308054205	Carburetor Assembly.....	1
12	678067001	Lock Nut (M8).....	1	29	518048001	Air Filter Base	1
13	631049001	Washer	1	30	660634001	Screw (8-16 x 5/16 in., T25 Torx Hd.).....	1
14	309010014	Flywheel Assembly.....	1	31	660655001	Screw (10-32 x 1 3/4 in.,T25 Torx Truss Head T.F.)	2
15	300950001	Oil Intake Tube Assembly	1	32	570242002	Grommet	1
16	300945001	Oil Pump Assembly	1	33	696418002	Bearing (Oil Pump Driver).....	1
17	313006001	Oil Pump Driver	1	34	638289001	Thrust Washer (Oil Pump Worm)	1