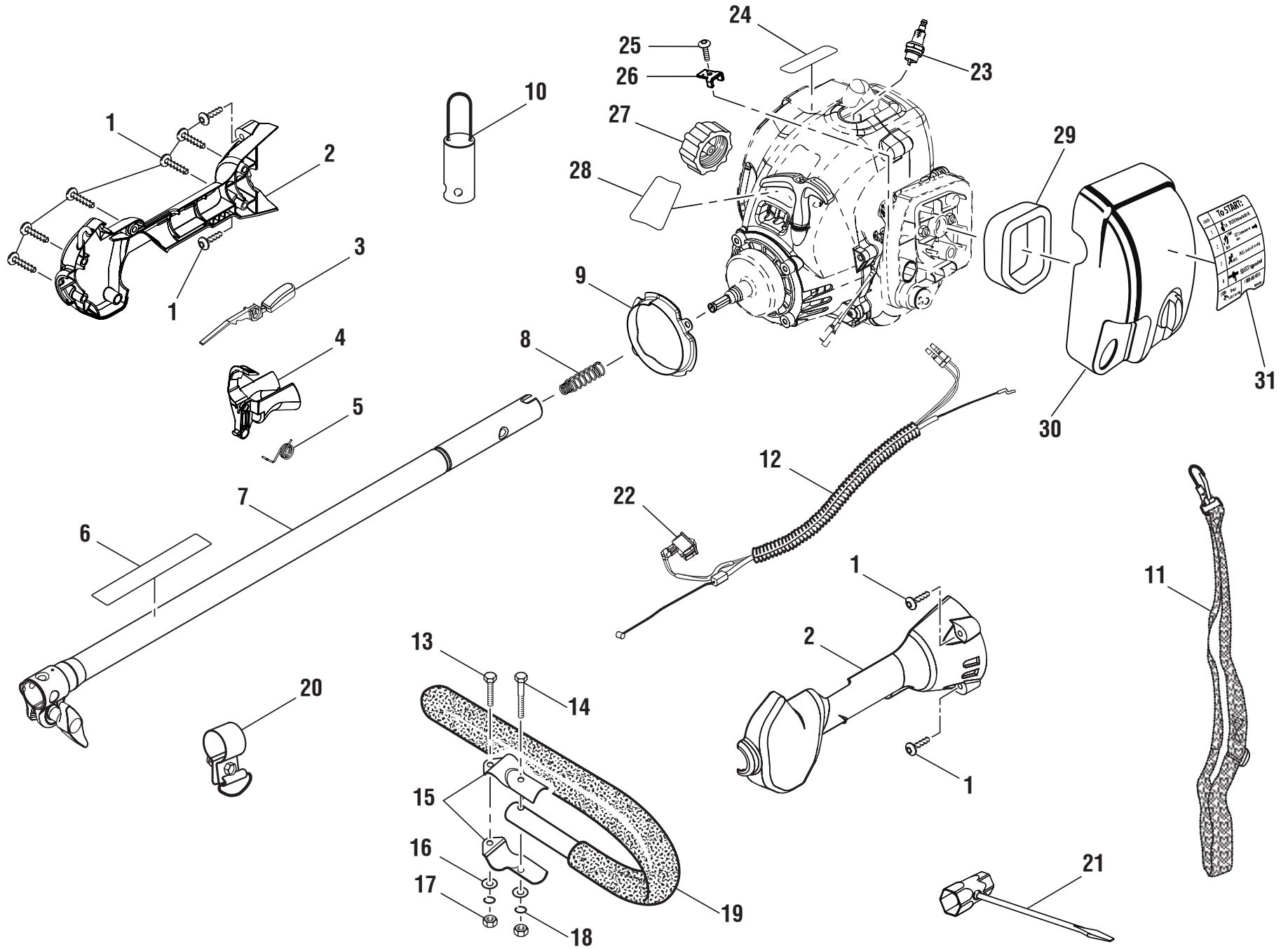


RYOBI PC30 PRUNER/TRIMMER - MODEL NO. RY52002



RYOBI PC30 PRUNER/TRIMMER – MODEL NO. RY52002

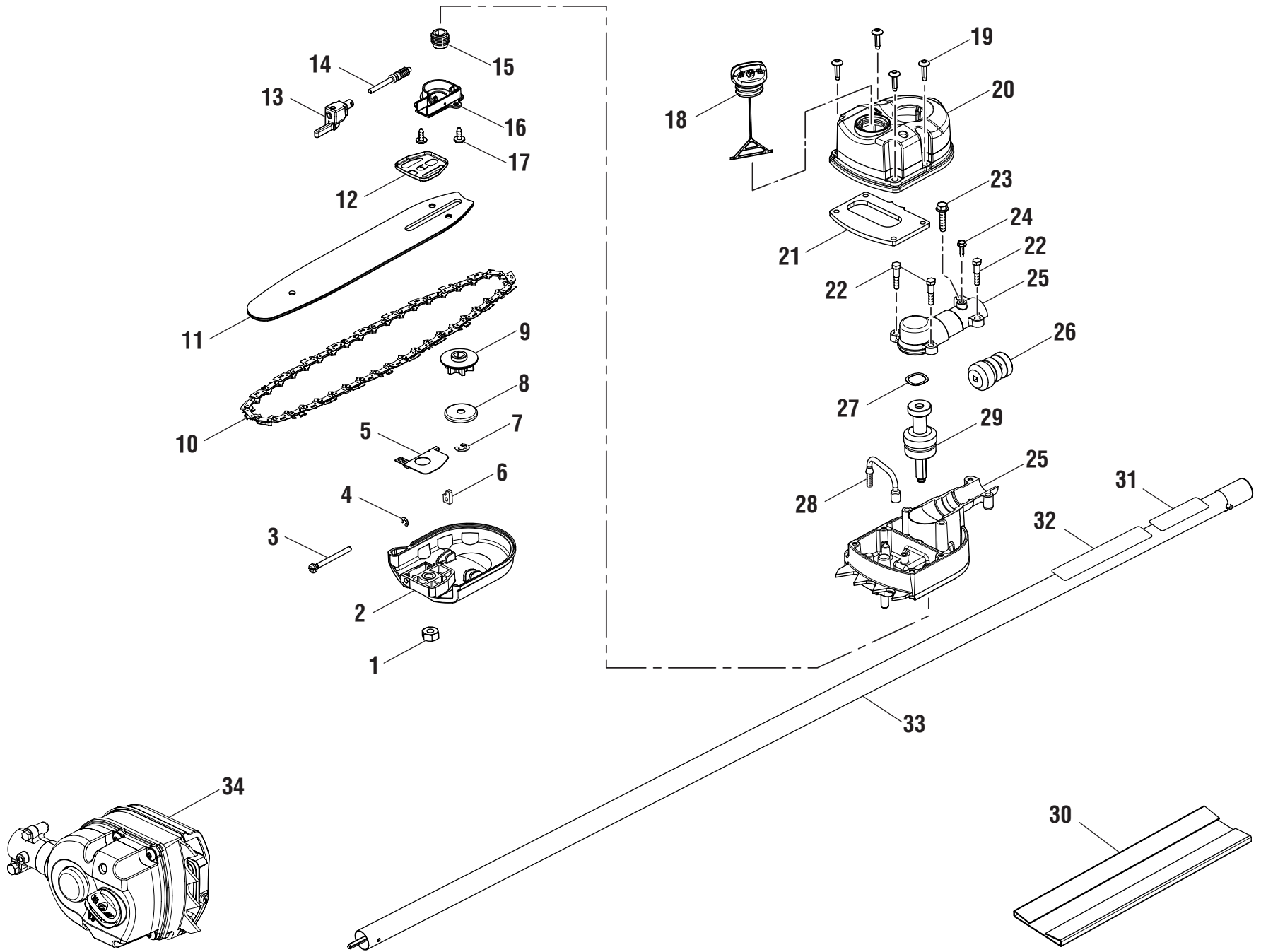
The model number will be found on a plate attached to the engine housing. Always mention the model number in all correspondence regarding your **PRUNER/TRIMMER** or when ordering replacement parts.

PARTS LIST

KEY NO.	PART NUMBER	DESCRIPTION	QTY
1	82589	* SCREW (10-14 X 1 in. T.F. TRUSS HD.).....	9
2	985382001	HANDLE ASSEMBLY	1
3	PS06258	TRIGGER LOCK	1
4	PS06259	TRIGGER.....	1
5	PS01718	TORSION SPRING	1
6	986175001	WARNING LABEL	1
7	985384002	BOOM ASSEMBLY (INC. KEY NO. 6)	1
8	986493001	COMPRESSION SPRING	1
9	985835001	RING GUARD	1
10	PS02155	HANGER CAP	1
11	944701	SHOULDER STRAP	1
12	985744001	THROTTLE AND LEAD ASSEMBLY (INC. KEY NO. 22).....	1
13	82496	* BOLT (1/4-20 X 1 in. HEX HD.).....	1
14	82278	* BOLT (1/4-20 X 1-1/2 in. HEX HD.).....	1
15	00422	HANDLE BAR CLAMP	2
16	84004	WASHER	2
17	81242	* HEX NUT (1/4-20).....	2
18	83009	* LOCK WASHER	2
19	A08130	J HANDLE AND GRIP	1
20	07255	STRAP HANGER.....	1
21	09207	COMBINATION WRENCH.....	1
22	PS02764	SWITCH (MOMENTARY CONTACT)	1
23	PS02227	* SPARK PLUG (CHAMPION RCJ6Y OR NGK BPMR7)	1
24	985157001	LOGO PLATE	1
25	983638009	SCREW (M4 X 16 mm TORX PAN HD.)	1
26	985411001	THROTTLE CABLE CLIP.....	1
27	300758006	FUEL CAP ASSEMBLY	1
28	986177001	MODEL LABEL.....	1
29	5687301	AIR FILTER	1
30	985417001	AIR BOX COVER	1
31	985426001	STARTING/PRIMER LABEL	1
	983000700	OPERATOR'S MANUAL	
	983000700R	REPAIR SHEET (REV:02)	
	05-03-06		

* STANDARD HARDWARE ITEM – MAY BE PURCHASED LOCALLY

RYOBI PC30 PRUNER/TRIMMER – MODEL NO. RY52002



RYOBI PC30 PRUNER/TRIMMER – MODEL NO. RY52002

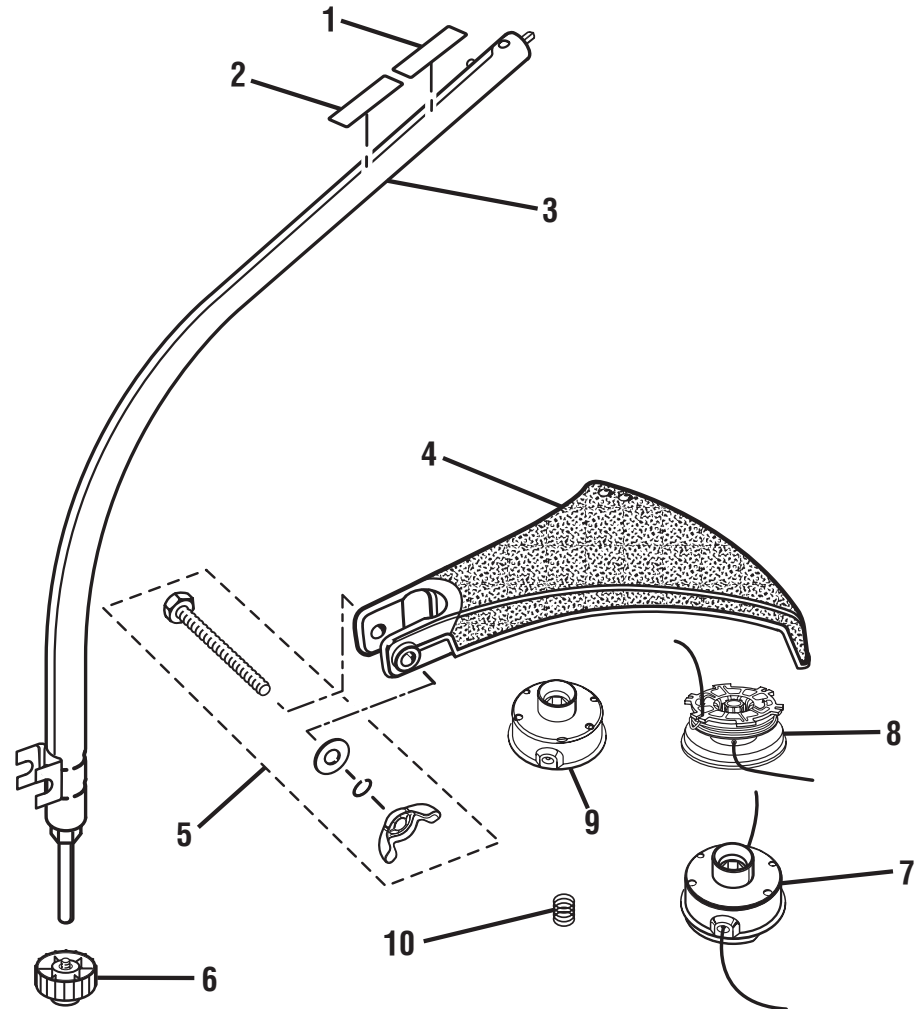
The model number will be found on a plate attached to the engine housing. Always mention the model number in all correspondence regarding your **PRUNER/TRIMMER** or when ordering replacement parts.

PARTS LIST

KEY NO.	PART NUMBER	DESCRIPTION	QTY
1	986163001	* HEX NUT (M8).....	1
2	PA01333	BAR CLAMP ASSEMBLY.....	1
3	986164001	GUIDE BAR ADJUSTMENT SCREW (M5 X 50 mm).....	1
4	986165001	* RETAINING RING (4 mm).....	1
5	PS04974	GUIDE BAR PLATE.....	1
6	986185001	GUIDE BAR ADJUSTING PIN.....	1
7	986162001	* E-RING (6 mm).....	1
8	04939A	CUPPED WASHER.....	1
9	985224001	SPROCKET.....	1
10	PS03873	CHAIN (3/8, .043, 10).....	1
11	983872002	GUIDE BAR.....	1
12	PS04554	BAR PAD PLATE.....	1
13	986166001	OIL PUMP SEAL ASSEMBLY.....	1
14	985221001	OIL PINION GEAR & PLUNGER.....	1
15	985223001	WORM GEAR.....	1
16	986160001	OIL PUMP HOUSING W/CAM PIN ASSEMBLY.....	1
17	986161001	* SCREW (M5 X 3 mm).....	2
18	A07591	OIL CAP WITH RETAINER (PKG.).....	1
19	985895001	* SCREW (M5 X 18 mm).....	4
20	985896001	OIL TANK COVER ASSEMBLY.....	1
21	985265001	OIL COVER GASKET.....	1
22	986155001	* SCREW (M5 X 25 mm, SHOULDER SCREW).....	3
23	986158001	* SCREW (M5 X 25 mm).....	1
24	PS05449	* SCREW (10-24 X 1/2 in. HEX WASHER HD. TRI-LOBULAR).....	1
25	090038001042	GEAR CASE & COVER ASSEMBLY.....	1
26	985252001	PINION GEAR ASSEMBLY.....	1
27	985262001	WAVY WASHER.....	1
28	PA01487	PICK-UP TUBE ASSEMBLY.....	1
29	985253001	OUTPUT SHAFT ASSEMBLY.....	1
30	983606001	BLADE COVER.....	1
31	985165001	EXPAND-IT LABEL.....	1
32	986173001	WARNING LABEL.....	1
33	986186001	PRUNER BOOM ASSEMBLY (55 in.) (INC. KEY. NOS. 31 AND 32).....	1
34	986172001	PRUNER GEAR HEAD (INC. KEY. NOS. 1-9 AND 12-30).....	1

* STANDARD HARDWARE ITEM – MAY BE PURCHASED LOCALLY

RYOBI PC30 PRUNER/TRIMMER - MODEL NO. RY52002



RYOBI PC30 PRUNER/TRIMMER – MODEL NO. RY52002

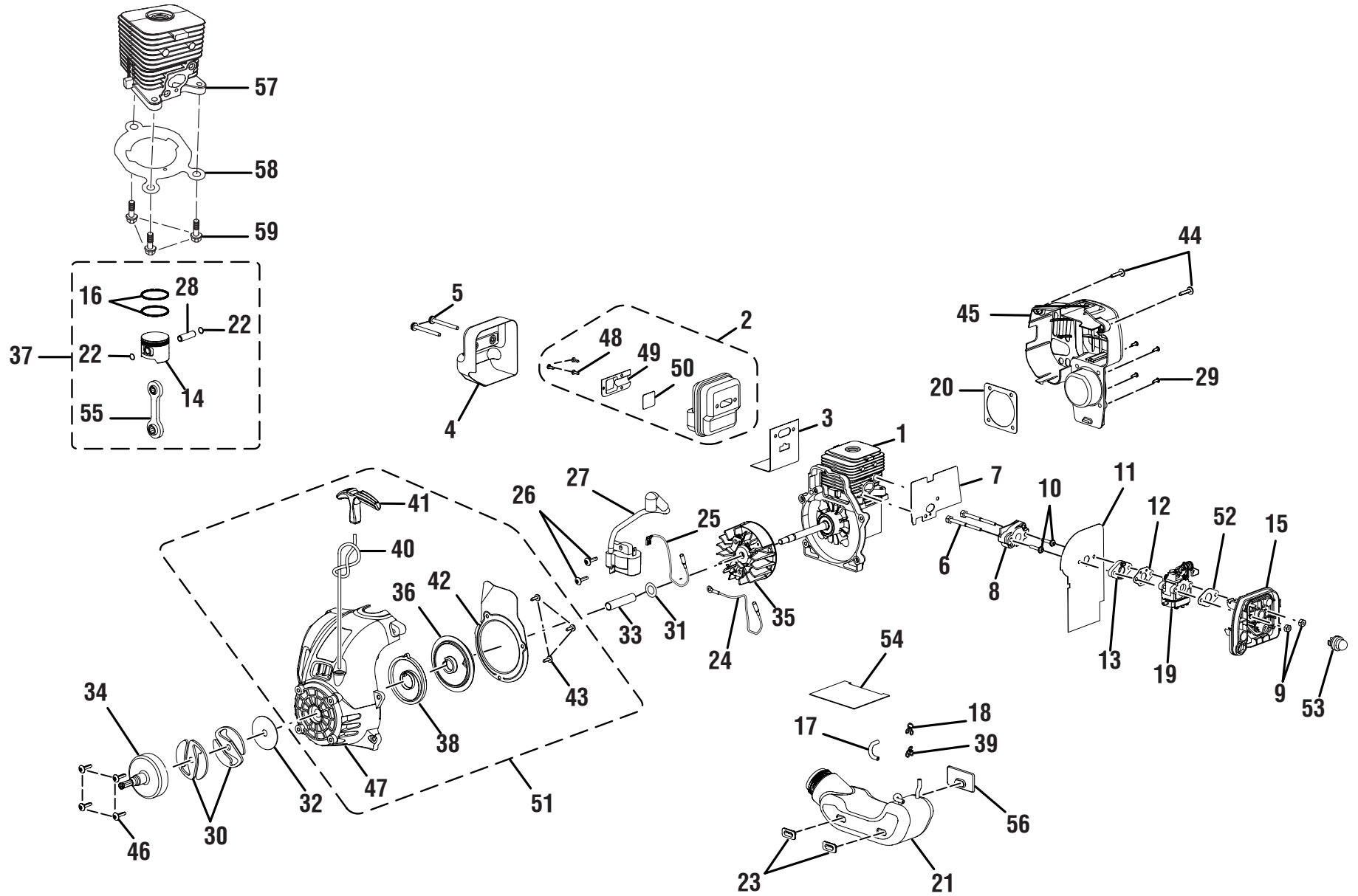
The model number will be found on a plate attached to the engine housing. Always mention the model number in all correspondence regarding your **PRUNER/TRIMMER** or when ordering replacement parts.

PARTS LIST

KEY NO.	PART NUMBER	DESCRIPTION	QTY
1	985165001	EXPAND-IT LABEL.....	1
2	984032002	WARNING LABEL.....	1
3	985569003	CURVED SHAFT ASSEMBLY.....	1
4	985623002	GRASS DEFLECTOR.....	1
5	PA00249	FASTENER PARTS KIT.....	1
6	A98866A	SPOOL RETAINER (RHT) (ITEM NO. AP04106).....	1
7	AH04102	COMPLETE STRING HEAD (.080 in.) (ITEM NO. AP04114).....	1
8	PA0387A	SPOOL AND STRING (.080 in.) (ITEM NO. AH04112).....	1
9	A98231A	HOUSING AND EYELET.....	1
10	06713	SPRING.....	1

*** STANDARD HARDWARE ITEM – MAY BE PURCHASED LOCALLY**

RYOBI PC30 PRUNER/TRIMMER - MODEL NO. RY52002



RYOBI PC30 PRUNER/TRIMMER – MODEL NO. RY52002

The model number will be found on a plate attached to the engine housing. Always mention the model number in all correspondence regarding your **GAS PRUNER** or when ordering replacement parts.

PARTS LIST

KEY NO.	PART NUMBER	DESCRIPTION	QTY	KEY NO.	PART NUMBER	DESCRIPTION	QTY
1	985873001	SHORT BLOCK ASSEMBLY.....	1	31	PS05268	WASHER.....	1
2	308092008	MUFFLER ASSEMBLY	1	32	98929A	WASHER.....	1
3	984760001	MUFFLER GASKET	1	33	PS05267	SPACER	1
4	984743001	HEAT SHIELD	1	34	PA01613	DRUM & CONNECTOR	1
5	88083	* SCREW (10-24 X 2-1/8 in. TORX TRUSS HD. SEMS)	2	35	986153001	ROTOR AND PAWL ASSEMBLY	1
6	660346002	BOLT (10-27 X 2-3/8 in. HEX HD.).....	2	36	308374001	STARTER PULLEY.....	1
7	985248001	HEAT DAM GASKET	1	37	985871001	PISTON ASSEMBLY (INC. KEY NO.14, 16, 22, 28 and 55).....	1
8	985430001	HEAT DAM.....	1	38	A98773A	SPRING & CONTAINER	1
9	81208	* LOCK NUT (10-24)	2	39	6969901	CLIP	1
10	093221	* SCREW (10-24 X 1 in. TORX PAN HD. SEMS) ..	2	40	9789902	STARTER ROPE	1
11	984834001	CARBURETOR GASKET	1	41	PS06114	STARTER GRIP	1
12	9071103	CARBURETOR GASKET	1	42	984837001	BAFFLE.....	1
13	984738001	SPACER	1	43	82543	* SCREW (8-16 X 1/2 in. THD. FORM.).....	3
14	985872001	PISTON W/PIN	1	44	82537	* SCREW (10-14 X 7/8 in. THD. FORM.)....	2
15	985530002	AIR FILTER BOX	1	45	984829001	REAR HOUSING.....	1
16	03179	PISTON RING 30cc	2	46	82538	SCREW (10-24 X 3/4 in. TRUSS HD.)	4
17	0143908	RUBBER TUBING (2 in.)	1	47	PA01641	STARTER HOUSING W/EYELET	1
18	6970001	CLIP	1	48	984759001	* SCREW (6-20 X 1/4 in. TRI-LOBULAR)....	3
19	985893001	CARBURETOR	1	49	985596001	OUTLET TUBE.....	1
20	06443A	GASKET, C/C COVER	1	50	984753001	SCREEN	1
21	308181003	FUEL TANK W/CAP ASSEMBLY	1	51	985544001	COMPLETE STARTER ASSEMBLY (INC. KEY NOS. 36, 38, 40-43 AND 47).....	1
22	65261	RETAINING RING	2	52	984747001	GASKET.....	1
23	98792	BUMPER.....	2	53	3078001	PRIMER ASSEMBLY	1
24	A06964	LEAD W/TERMINALS	1	54	900999002	TANK INSULATION GASKET	1
25	A06963	LEAD.....	1	55	PA00190	CONNECTING ROD ASSEMBLY.....	1
26	82540	* SCREW (8-32 X 1 in. THREAD FORMING)	2	56	985767001	RUBBER BUMPER.....	1
27	850080001	IGNITION MODULE (W/ 3 SEC. KILL)	1	57	985524002	CYLINDER	1
28	00238A	PISTON PIN	1	58	985259001	CYLINDER GASKET	1
29	984812001	* SCREW (10-24 X 3/4 in. PAN HD. TORX).....	4	59	PS02807	* SCREW (12-24 X 5/8 in.)	3
30	00242	CLUTCH	2				

* STANDARD HARDWARE ITEM – MAY BE PURCHASED LOCALLY

** STOCK ITEM – MAY BE SECURED THROUGH THE HARDWARE DEPARTMENT OF MOST HOME DEPOT STORES