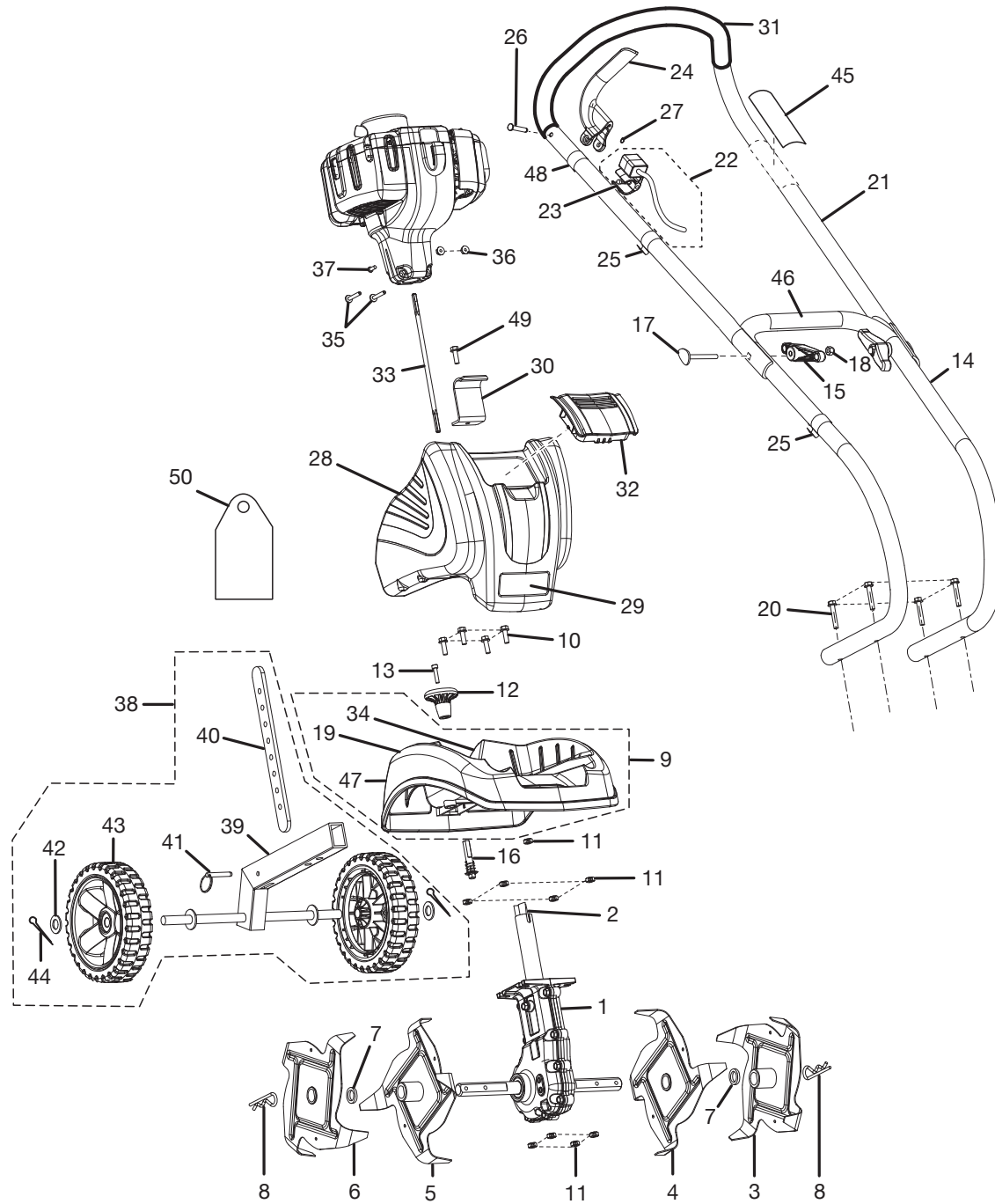


RYOBI GAS CULTIVATOR - MODEL NO. RY60511B



## RYOBI GAS CULTIVATOR – MODEL NO. RY60511B

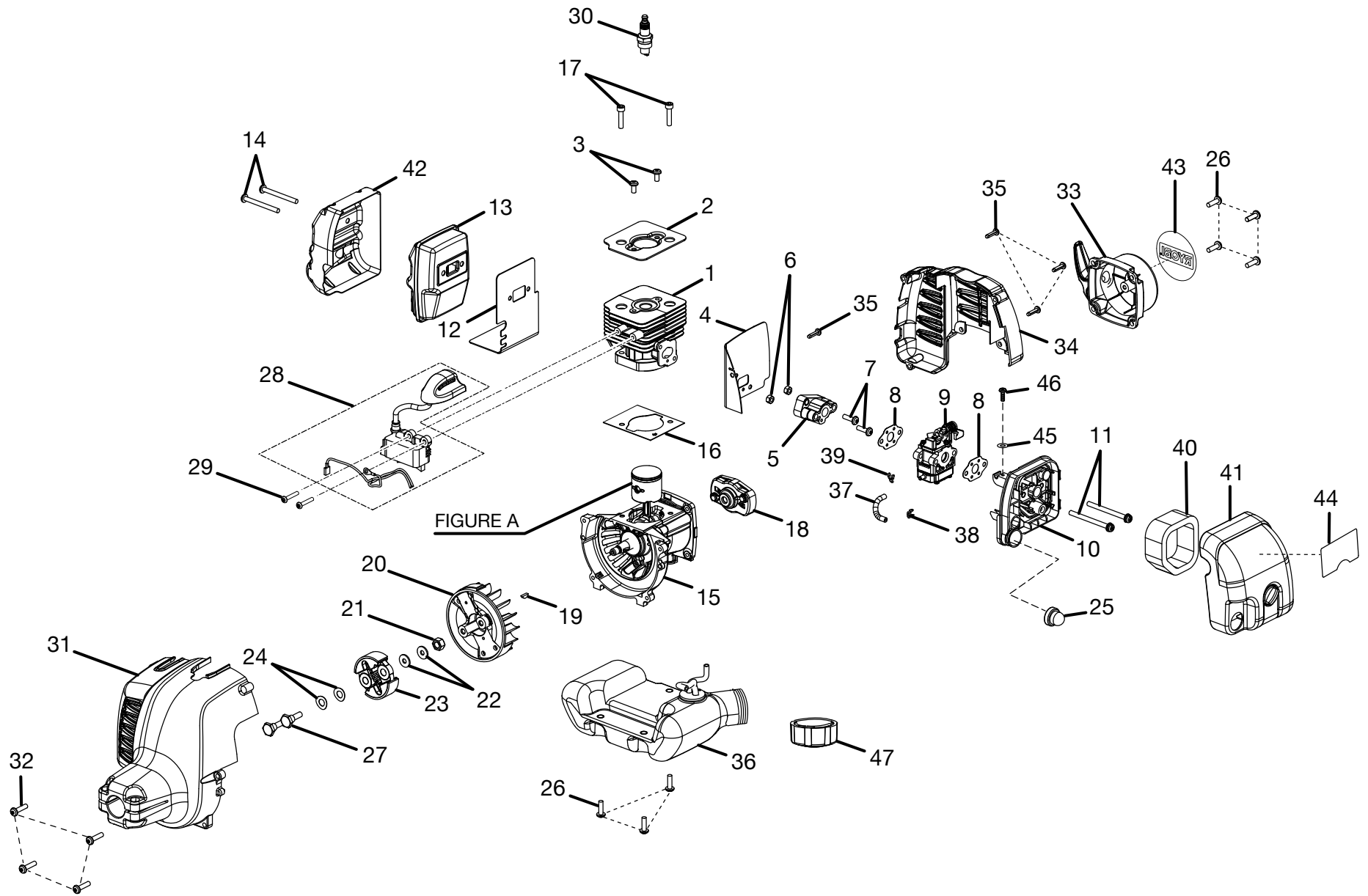
The model number will be found on a plate attached to the engine housing. Always mention the model number in all correspondence regarding your **GAS CULTIVATOR** or when ordering repair parts.

### PARTS LIST

KEY NO.	PART NUMBER	DESCRIPTION	QTY.	KEY NO.	PART NUMBER	DESCRIPTION	QTY.
1	220029001	GEAR BOX ASSEMBLY WITH TUBE.....	1	28	308217001	TANK - BALLAST ASSEMBLY (INCLUDES KEY NO. 29).....	1
2	518132001	LINER - DRIVE TUBE .....	1	29	950119004	LOGO LABEL .....	1
3	308216002	TINE A, OUTER RIGHT.....	1	30	638099001	MOUNTING BRACKET.....	1
4	308216003	TINE B, INNER RIGHT.....	1	31	518053002	GRIP .....	1
5	308216004	TINE C, INNER LEFT .....	1	32	360991001	BALLAST TANK LID.....	1
6	308216005	TINE D, OUTER LEFT .....	1	33	620368001	FLEXIBLE DRIVE SHAFT .....	1
7	900755001	FELT WASHER .....	2	34	950119001	WHEEL ACCESSORY LABEL.....	1
8	638001004	CLEVIS CLIP.....	2	35	660651001	* BOLT (10-24 X 1-1/4 in.).....	2
9	308216001	TINE SHIELD ASSEMBLY ( INC. KEY NOS. 19, 34 AND 48) .....	1	36	678027001	NUT (10-24) .....	2
10	660643002	* BOLT (1/4-20 X 1 in.) .....	4	37	660669001	* SCREW (8-16 X 1/2 in.) .....	1
11	678132001	* LOCK NUT (1/4-20) .....	9	38	308213001	WHEEL/DRAG STAKE ASSEMBLY (INCLUDES KEY NO. 39-44) .....	1
12	518206001	RECEIVER RETAINER KNOB .....	1	39	308222001	FRAME ASSEMBLY .....	1
13	660713001	* SCREW (M5 X 16 mm PAN HD.) .....	1	40	638017004	DRAG STAKE.....	1
14	000998258	LOWER HANDLE ASSEMBLY (INC. KEY NO. 25 AND 47) .....	1	41	638017003	QUICK RELEASE PIN.....	1
15	518190001	KNOB (1/4-20).....	2	42	638017002	FLAT WASHER .....	2
16	308228001	RECEIVER RETAINER ASSEMBLY.....	1	43	308236001	WHEEL ASSEMBLY (7 in. DIA.).....	2
17	660711002	* CARRIAGE BOLT (1/4-20 X 2-1/4 in.).....	2	44	638635001	COTTER PIN.....	2
18	678142001	ACORN NUT .....	2	45	950119014	WARNING HANG TAG.....	1
19	950119010	WARNING LABEL, FOOT .....	1	46	950119006	BOOM WARNING LABEL.....	1
20	660643001	* HANDLE BOLT (1/4-20 X 1.53 in.).....	4	47	950119003	STARTING LABEL.....	1
21	000998259	UPPER HANDLE ASSEMBLY (INC. KEY NOS. 25, 31, 46, AND 50) .....	1	48	950119002	WARNING LABEL.....	1
22	308641001	THROTTLE CABLE ASSEMBLY (INC. KEY NO. 23) .....	1	49	518489001	PLASTIC ROPE CLIP .....	1
23	760661001	SWITCH.....	1	50	660714002	BOLT (1/4-20 x 5/8 in.) .....	1
24	518256001	TRIGGER.....	1		983000886	OPERATOR'S MANUAL (960976001) .....	1
25	518307001	PLASTIC CLIP .....	2		983000886R	REPAIR SHEET	
26	638132001	CLEVIS PIN.....	1		983000887	REPLACEMENT PARTS LIST (960976002).....	1
27	678135001	RETAINING RING .....	1		12-06-06 (REV:02)		

\* STANDARD HARDWARE ITEM – MAY BE PURCHASED LOCALLY

RYOBI GAS CULTIVATOR – MODEL NO. RY60511B



## RYOBI GAS CULTIVATOR – MODEL NO. RY60511B

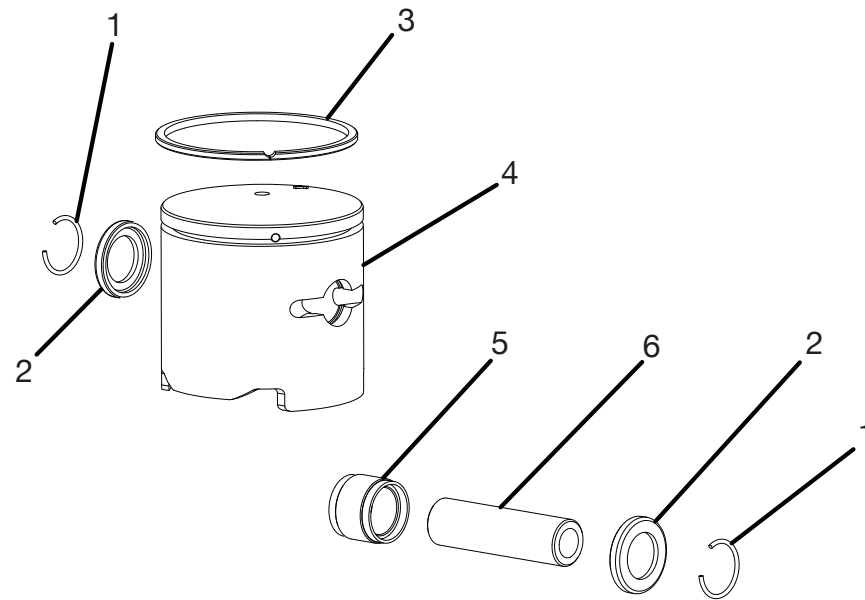
The model number will be found on a plate attached to the engine housing. Always mention the model number in all correspondence regarding your **GAS CULTIVATOR** or when ordering repair parts.

### PARTS LIST

KEY NO.	PART NUMBER	DESCRIPTION	QTY.	KEY NO.	PART NUMBER	DESCRIPTION	QTY.
1	640570016	25.4 CYLINDER .....	1	25	300780002	PRIMER .....	1
2	630002021	PLATE .....	1	26	660351001	SCREW (M5 X 16 mm) .....	7
3	660351002	* SCREW (M5 x 10 mm PAN HD.).....	2	27	660353001	* SCREW (M6 x 1 x 14 mm PAN HD.).....	2
4	900711006	GASKET.....	1	28	290178004	COIL ASSEMBLY .....	1
5	518329001	INSULATOR.....	1	29	660349001	SCREW (M4 x .7 x 22 mm PAN HD.).....	2
6	690840001	* NUT (M5 x .8 mm) .....	2	30	870170001	SPARK PLUG .....	1
7	660344003	SCREW (M5 x 31 mm PAN HD.).....	2	31	300754008	FRONT HOUSING ASSEMBLY .....	1
8	900711003	GASKET.....	2	32	660344001	SCREW (M5 x .8 x 20 mm PAN HD.).....	4
9	308428002	CARBURETOR ASSEMBLY.....	1	33	308430002	STARTER HOUSING ASSEMBLY .....	1
10	518130002	FILTER HOUSING ASSEMBLY .....	1	34	518201001	REAR ENGINE HOUSING .....	1
11	660346001	* SCREW (M5 x .8 x 60 mm PAN HD.).....	2	35	660563001	* SCREW (M4 x 1.75 x 16 mm PAN HD.).....	4
12	630002006	GASKET.....	1	36	300757007	FUEL TANK.....	1
13	300748016	MUFFLER ASSEMBLY .....	1	37	560880002	FUEL LINE .....	1
14	660347001	SCREW (M5 x .8 x 50 mm PAN HD.) .....	2	38	690700001	CLIP .....	1
15	300749004	CRANKCASE ASSEMBLY .....	1	39	690699001	CLIP .....	1
16	900709001	GASKET.....	1	40	560873001	AIR FILTER.....	1
17	660342001	* SCREW (M5 x .8 x 22 mm).....	2	41	308207002	OUTER COVER ASSEMBLY .....	1
18	308004001	PULLEY ASSEMBLY .....	1	42	638027001	HEAT SHIELD .....	1
19	690688001	WOODRUFF KEY .....	1	43	950119007	LOGO LABEL .....	1
20	640574001	ROTOR .....	1	44	950119008	PRIMER LABEL .....	1
21	690689001	NUT .....	1	45	638133003	RETAINER.....	1
22	690695001	WASHER .....	2	46	660734001	* SCREW (M4 X 16 mm TORX PAN HD.).....	1
23	300756001	CLUTCH ASSEMBLY .....	1	47	308642001	FUEL CAP .....	1
24	690696001	WASHER, CURVED .....	2		000998216	SPARK ARRESTOR KIT (NOT SHOWN).....	1

\* STANDARD HARDWARE ITEM – MAY BE PURCHASED LOCALLY

FIGURE A



PARTS LIST FOR FIGURE A

KEY NO.	PART NUMBER	DESCRIPTION	QTY.
1	690691001	WRIST PIN CLIP RING.....	2
2	690687001	WASHER.....	2
3	690161002	PISTON RING.....	1
4	640920002	PISTON.....	1
5	690686002	NEEDLE BEARING (ID 8 X 8.8).....	1
6	620301001	WRIST PIN.....	1