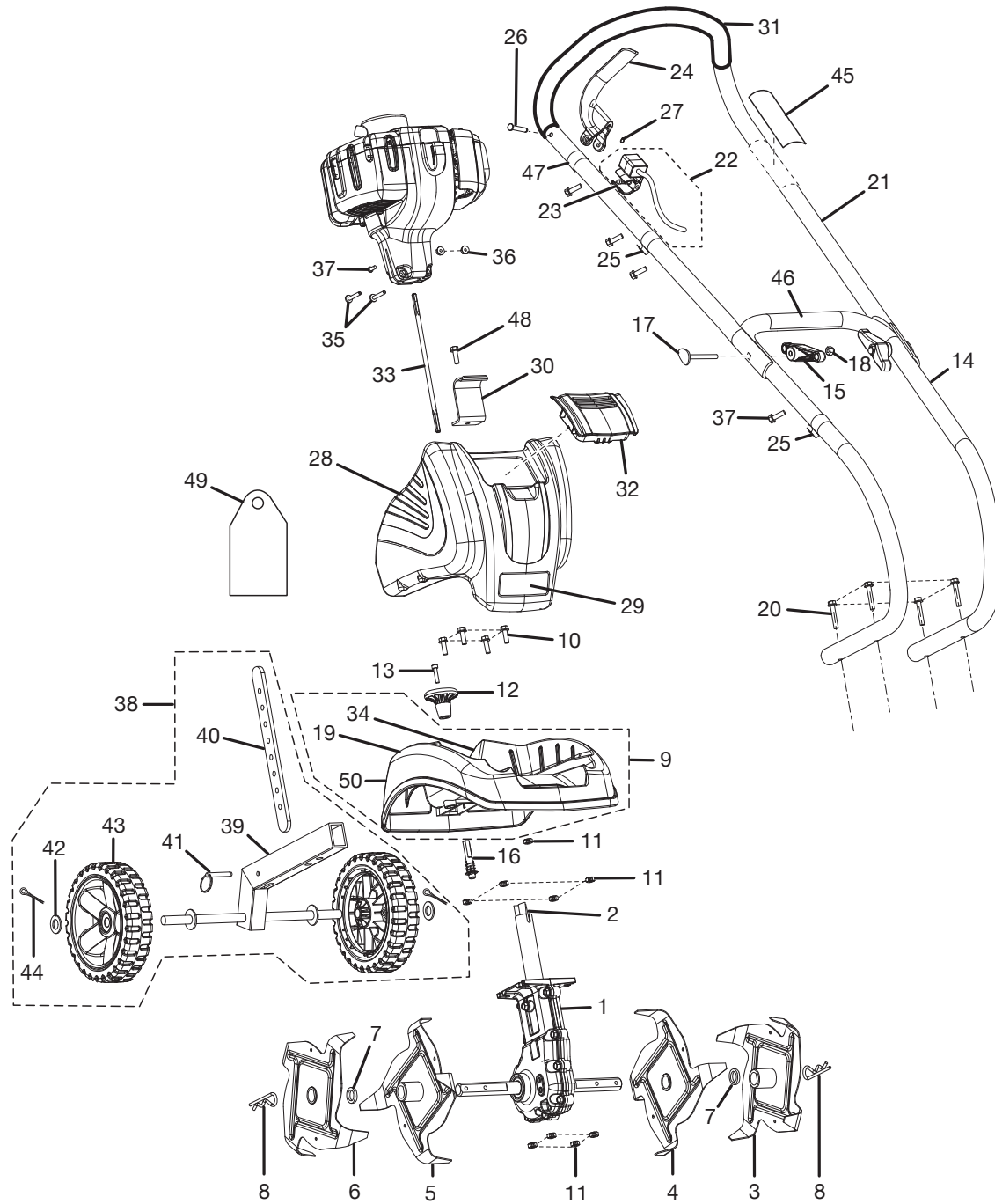


RYOBI GAS CULTIVATOR – MODEL NO. RY60520



RYOBI GAS CULTIVATOR – MODEL NO. RY60520

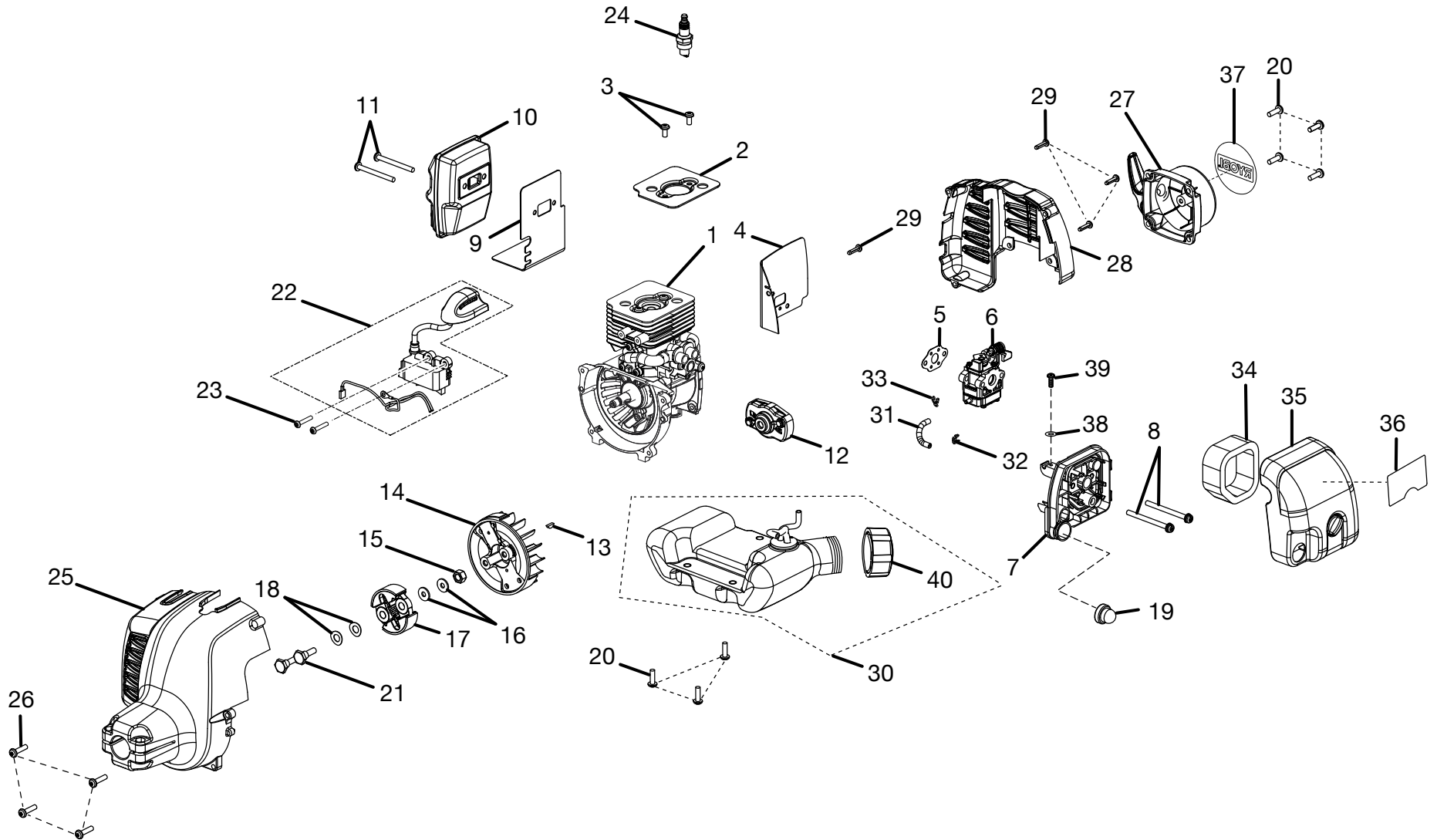
The model number will be found on a plate attached to the engine housing. Always mention the model number in all correspondence regarding your **GAS CULTIVATOR** or when ordering repair parts.

PARTS LIST

KEY NO.	PART NUMBER	DESCRIPTION	QTY.	KEY NO.	PART NUMBER	DESCRIPTION	QTY.
1	220029004	GEAR BOX ASSEMBLY WITH TUBE.....	1	26	638132001	CLEVIS PIN.....	1
2	518132001	LINER - DRIVE TUBE	1	27	678135001	RETAINING RING	1
3	308693001	TINE A, OUTER RIGHT.....	1	28	308217001	TANK - BALLAST ASSEMBLY (INCLUDES KEY NO. 29).....	1
4	308693002	TINE B, INNER RIGHT	1	29	950119004	LOGO LABEL	1
5	308693003	TINE C, INNER LEFT	1	30	678052001	MOUNTING BRACKET.....	1
6	308693004	TINE D, OUTER LEFT	1	31	518053002	GRIP	1
7	900755001	FELT WASHER	2	32	360991001	BALLAST TANK LID.....	1
8	638001004	CLEVIS CLIP.....	2	33	620368001	FLEXIBLE DRIVE SHAFT	1
9	308216001	TINE SHIELD ASSEMBLY (INC. KEY NOS. 19, 34 AND 50)	1	34	950119001	WHEEL ACCESSORY LABEL.....	1
10	660643002	* BOLT (1/4-20 X 1 in.)	4	35	660651001	* BOLT (10-24 X 1-1/4 in.).....	2
11	678132001	* LOCK NUT (1/4-20)	9	36	678027001	NUT (10-24)	2
12	518206001	RECEIVER RETAINER KNOB	1	37	660669001	* SCREW (8-16 X 1/2 in.)	5
13	660713001	* SCREW (M5 X 16 mm PAN HD.)	1	38	308213003	WHEEL/DRAW STAKE ASSEMBLY (INCLUDES KEY NO. 39-44)	1
14	120900012	LOWER HANDLE ASSEMBLY (INC. KEY NO. 25 AND 46)	1	39	308222002	FRAME ASSEMBLY	1
15	518190001	KNOB (1/4-20).....	2	40	638017004	DRAG STAKE.....	1
16	308228001	RECEIVER RETAINER ASSEMBLY.....	1	41	638017003	QUICK RELEASE PIN.....	1
17	660711002	* CARRIAGE BOLT (1/4-20 X 2-1/4 in.).....	2	42	638017002	FLAT WASHER	2
18	678142001	ACORN NUT (1/4-20 in.)	2	43	308236002	WHEEL ASSEMBLY (6 in. DIA.)	2
19	950119010	WARNING LABEL, FOOT	1	44	638635001	COTTER PIN.....	2
20	660643001	* HANDLE BOLT (1/4-20 X 1.53 in.).....	4	45	950119006	BOOM WARNING LABEL.....	1
21	000998365	UPPER HANDLE ASSEMBLY (INC. KEY NOS. 25, 31, 45, AND 47)	1	46	940734017	STARTING LABEL.....	1
22	308641003	THROTTLE CABLE ASSEMBLY (INC. KEY NO. 23)	1	47	518489001	PLASTIC ROPE CLIP	1
23	760679001	SWITCH.....	1	48	660714002	BOLT (1/4-20 x 5/8 in.)	1
24	518256001	TRIGGER	1	49	950119014	WARNING HANG TAG.....	1
25	518307001	CABLE RETAINER	2	50	950119002	TINE SHIELD WARNING LABEL	1
					987000067	OPERATOR'S MANUAL (960475001)	1
					01-16-07 (REV:00)		

* STANDARD HARDWARE ITEM – MAY BE PURCHASED LOCALLY

RYOBI GAS CULTIVATOR – MODEL NO. RY60520



RYOBI GAS CULTIVATOR – MODEL NO. RY60520

The model number will be found on a plate attached to the engine housing. Always mention the model number in all correspondence regarding your **GAS CULTIVATOR** or when ordering repair parts.

PARTS LIST

KEY NO.	PART NUMBER	DESCRIPTION	QTY.	KEY NO.	PART NUMBER	DESCRIPTION	QTY.
1	308707001	SHORT BLOCK	1	21	660353001	* SCREW (M6 x 14 mm PAN HD.).....	2
2	630002021	PLATE	1	22	290178007	COIL ASSEMBLY	1
3	660351002	* SCREW (M5 x 10 mm PAN HD.).....	2	23	660349001	* SCREW (M4 x 22 mm PAN HD.).....	2
4	900711001	GASKET.....	1	24	870217001	SPARK PLUG (CHAMPION RZ7C).....	1
5	900758001	GASKET.....	2	25	300754008	FRONT HOUSING ASSEMBLY	1
6	308708001	CARBURETOR ASSEMBLY.....	1	26	660344001	SCREW (M5 x 20 mm PAN HD.).....	4
7	308478002	FILTER HOUSING ASSEMBLY (INC. KEY NOS. 19, 31 AND 32).....	1	27	308430002	STARTER HOUSING ASSEMBLY	1
8	660346001	* SCREW (M5 x 60 mm PAN HD.).....	2	28	518201001	REAR ENGINE HOUSING	1
9	630002006	GASKET.....	1	29	660563001	* SCREW (M4 x 16 mm PAN HD.).....	4
10	308138013	MUFFLER ASSEMBLY	1	30	308644002	FUEL TANK (INCL. KEY NO. 40)	1
11	660347001	SCREW (M5 x 50 mm PAN HD.)	2	31	570259008	FUEL LINE	1
12	308004001	PULLEY ASSEMBLY	1	32	690700001	HOSE CLIP	1
13	690688002	WOODRUFF KEY	1	33	690699001	CLIP	1
14	640574001	ROTOR	1	34	560873001	AIR FILTER.....	1
15	690689001	ROTOR NUT	1	35	300747003	OUTER COVER ASSEMBLY	1
16	690695001	WASHER	2	36	950119008	PRIMER LABEL	1
17	300756001	CLUTCH ASSEMBLY	1	37	950119007	LOGO LABEL	1
18	690696001	CURVED WASHER	2	38	638133002	RETAINER.....	1
19	300780002	PRIMER	1	39	660734001	* SCREW (M4 X 16 mm TORX PAN HD.).....	1
20	660351001	* SCREW (M5 X 16 mm)	3	40	308642001	FUEL CAP	1
					000998216	SPARK ARRESTOR KIT (NOT SHOWN).....	1

* STANDARD HARDWARE ITEM – MAY BE PURCHASED LOCALLY