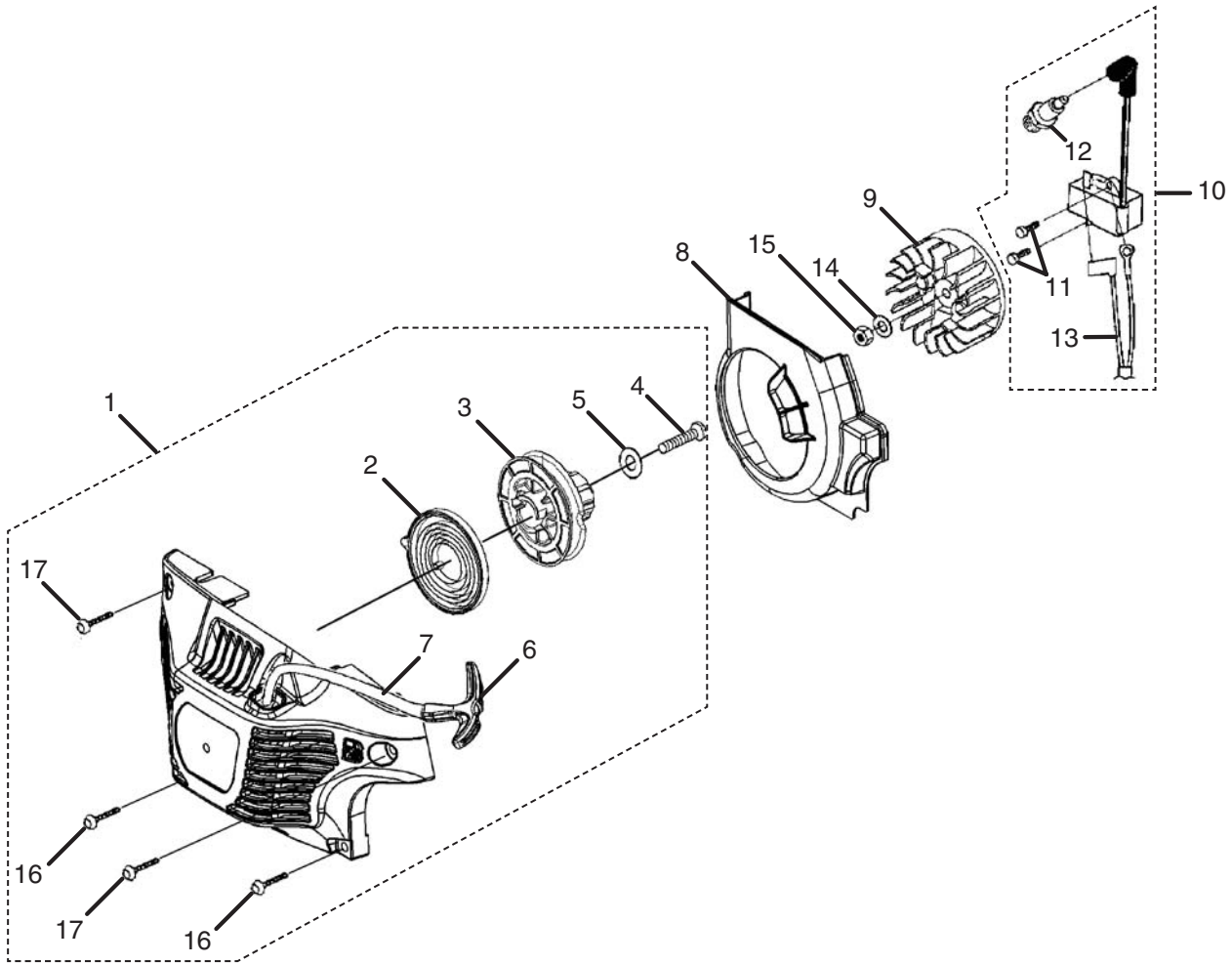


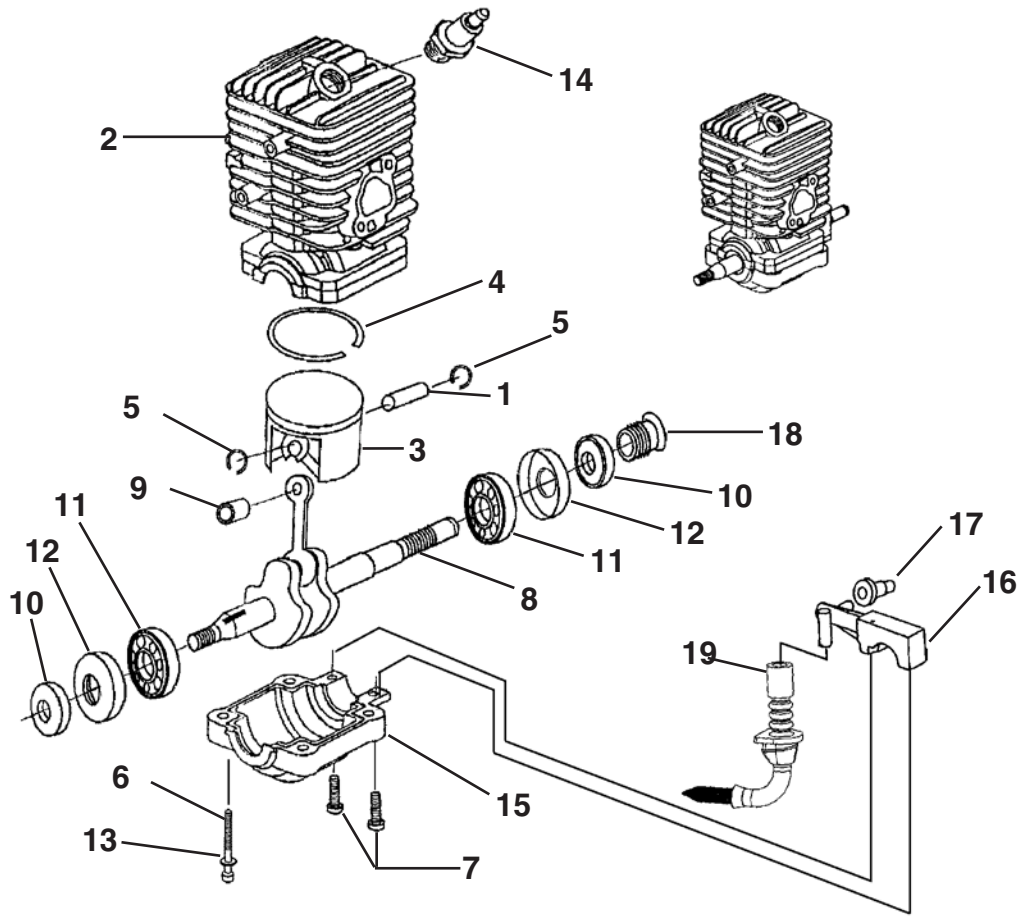
STARTER – IGNITION



NO.	PART NO.	DESCRIPTION	QTY.
1	985242001	STARTER COVER ASSY., W/EYELET	1
2	PA01330	SPRING & CONTAINER	1
3	PS03882	PULLEY, STARTER	1
4	82621	SCREW (10-14 x 5/8 in.)	1
5	94062	WASHER	1
6	PS06114	GRIP, STARTER	1
7	9789901	ROPE, STARTER (46 in.)	1
8	PS03984	BAFFLE	1
9	PA00695	ROTOR W/STARTER PAWL	1
10	984883001	IGNITION KIT	1
11	82575	SCREW (8-32 x 5/8 in.)	2
12	PS06216	SPARK PLUG	1
13	PA01311	IGNITION SWITCH HARNESS	1
14	PS84065	WASHER	1
15	81229A	NUT	1
16	82620	SCREW (10-14 x 7/8 in.)	2
17	82621	SCREW (10-14 x 5/8 in.)	2

ITEM NO.	TORQUE SPECS. in./lbs.	TORQUE SPECS. nm	REQUIRED LOCTITE
4	30-40	3.4-4.5	
11	30-40	3.4-4.5	242 blue
12	120-180	13.6-20.3	
15	100-150	11.3-20.3	
16	30-40	3.4-4.5	
17	30-40	3.4-4.5	

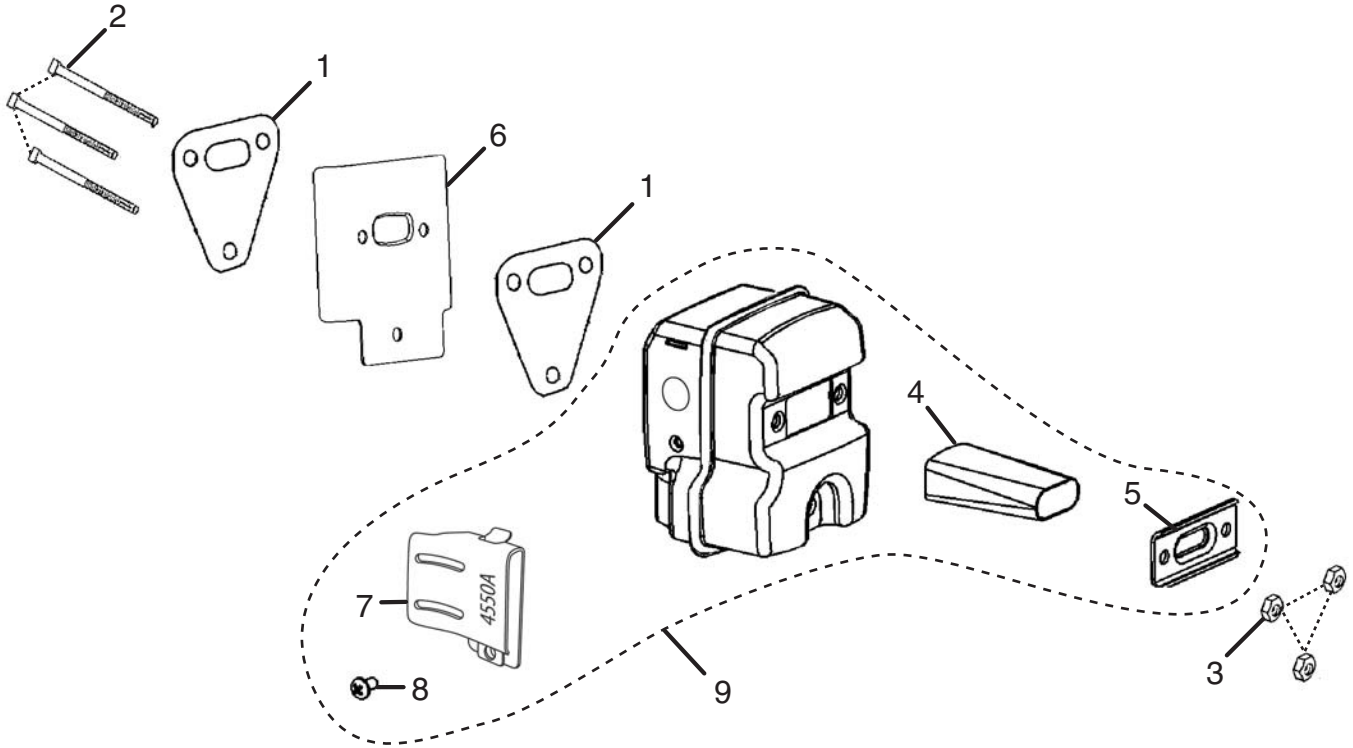
ENGINE INTERNAL - OIL PUMP



NO.	PART NO.	DESCRIPTION	QTY.
1	04923	PISTON RING	1
2	PS04368	CYLINDER MACH/PLATED	1
3	A09135	45CC PISTON (MACH)	1
4	09082	PISTON RING	1
5	64813	RETAINING RING	2
6	82527	SCREW TORX PLUS CAP-SOCKET HD	4
7	PS04989	SCREW, (8/32 X 5/8 in. PAN HD TORX)	2
8	PA00980	45CC SINTERED METAL CRANKSHAFT ASSY.	1
9	PS04921	NEEDLE BEARING	1
10	04920	SHAFT SEAL	2
11	08838	BALL BEARING	2
12	04919	BEARING CASE	2
13	84008	FLAT WASHER	4
14	PS06216	SPARK PLUG	1
15	09097	CRANKCASE (45CC) CS	1
16	PA01396	OIL PUMP ASSEMBLY	1
17	06841	GROMMET, OIL OUTLET	1
18	06847	LEFT HAND WORM	1
19	PA01037	OIL INTAKE TUBE W/FILTER	1

ITEM NO.	TORQUE SPECS. in./lbs.	TORQUE SPECS. nm	REQUIRED LOCTITE
6	65-75	7.3-8.5	242 blue
7	15-20	1.7-2.312	
14	120-180	13.6-20.3	

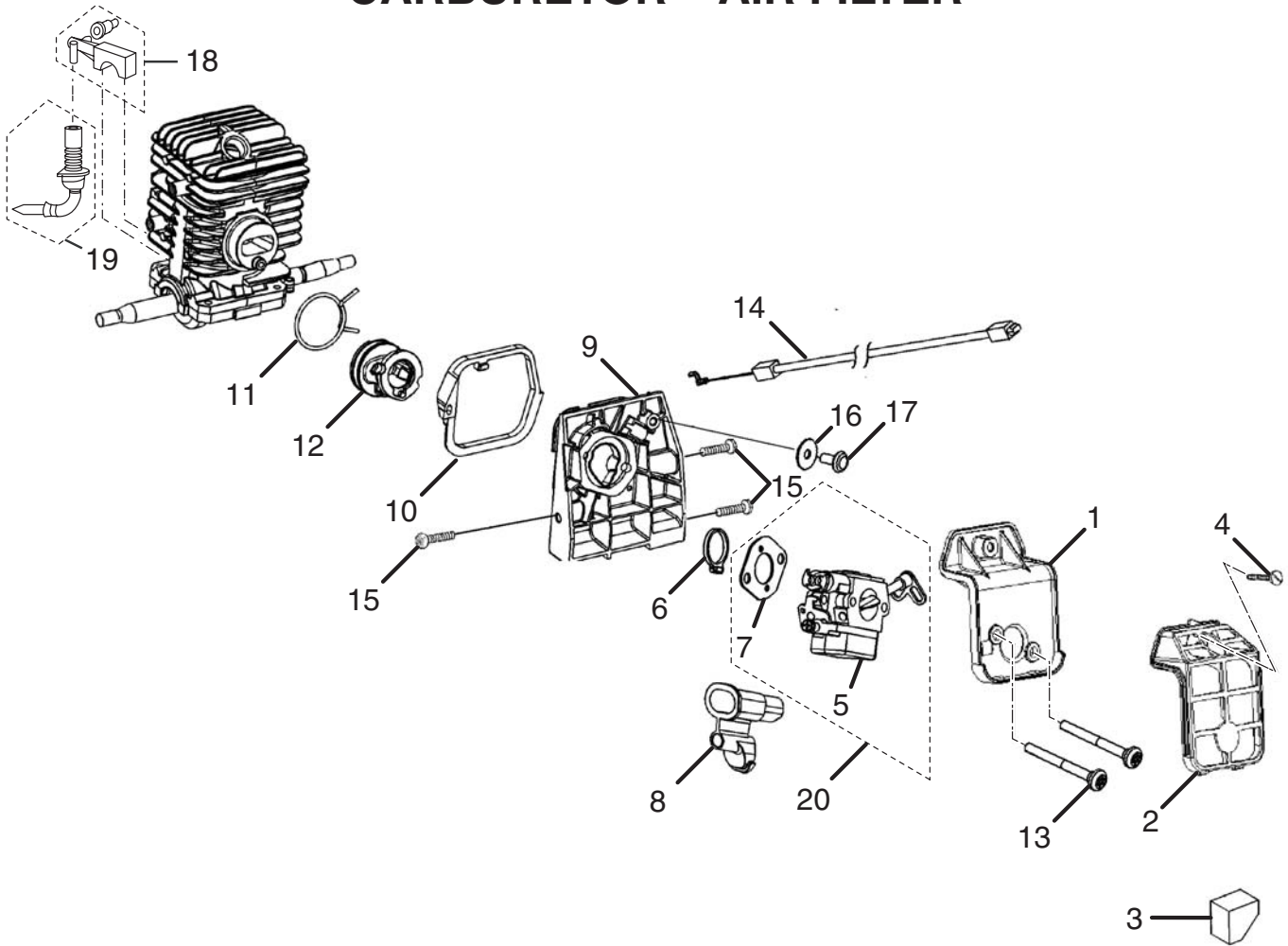
MUFFLER



NO.	PART NO.	DESCRIPTION	QTY.
1	06839	MUFFLER GASKET	2
2	PS04525	SCREW-SQUARE HD.	3
3	81206	NUT-LOCKING HEX (10-32)	3
4	PS04350	SCREEN, SPARK	1
5	PS04147	SCREEN RETAINER	1
6	PS06121	MUFFLER PLATE	1
7	PS06075	DEFLECTOR, MUFFLER	1
8	95922	SCREW (8-32 x .312 PAN HD.)	1
9	PA01635	MUFFLER ASSEMBLY	1

ITEM NO.	TORQUE SPECS.		REQUIRED LOCTITE
	in./lbs.	nm	
3	50-60	5.6-6.7	

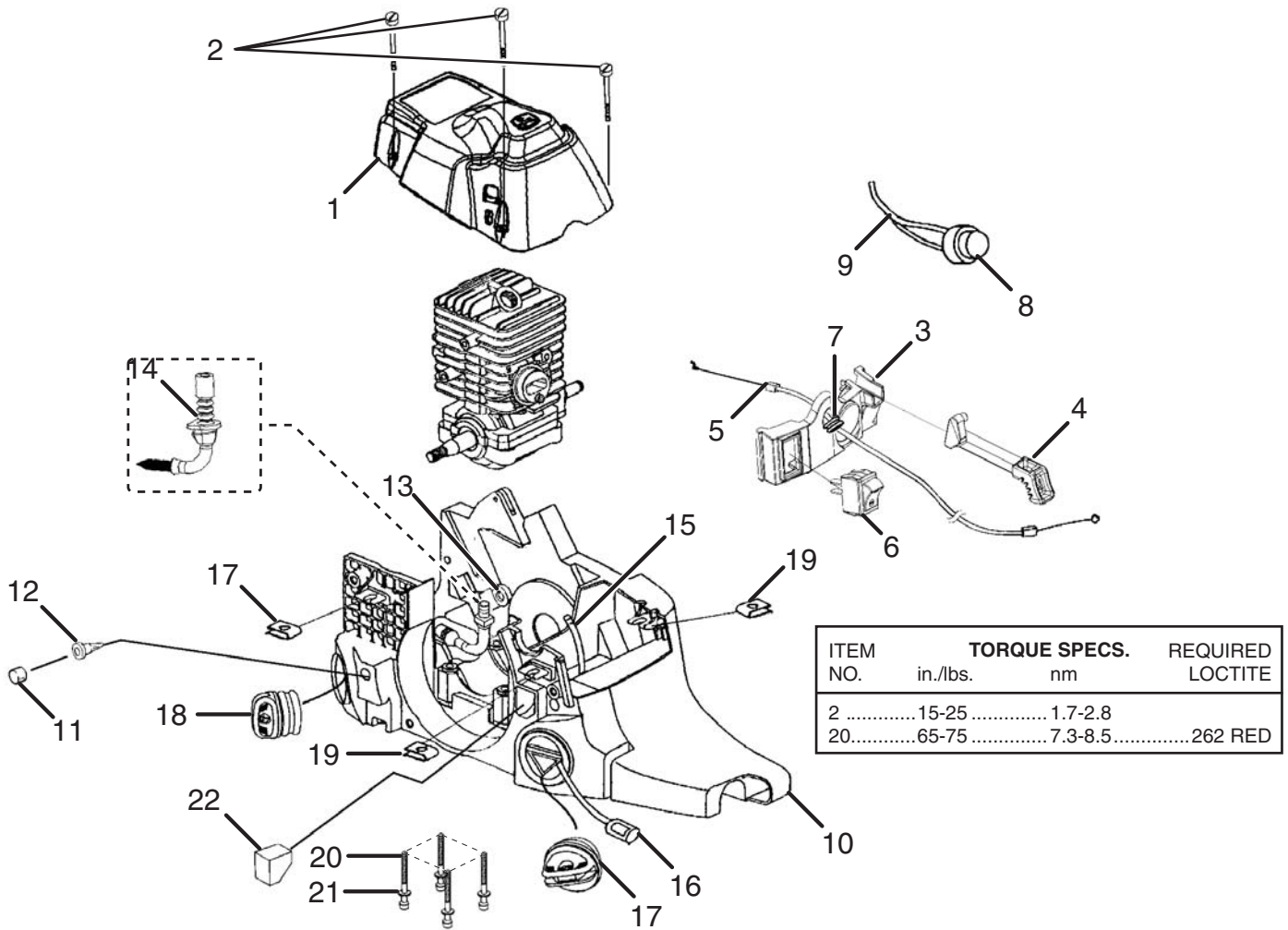
CARBURETOR – AIR FILTER



NO.	PART NO.	DESCRIPTION	QTY.
1	PA01284	AIR FILTER BASE	1
2	PS02798	AIR FILTER COVER	1
3	PS05070	PRE FILTER (IN ENGINE HOUSING)	1
4	82617	SCREW (8-16 x 5/8 in.)	1
5	985218001	CARBURETOR	1
6	PS04375	PLATE, CARBURETOR	1
7	PS05105	GASKET, CARBURETOR	1
8	PS04371	GROMMET, CARBURETOR	1
9	PA01057	ADAPTOR, CARBURETOR	1
10	PS04374	SEAL-CARB. ADAPTOR	1
11	PS04309	CLAMP	1
12	PS02794	INTAKE BOOT	1
13	PS04446	SCREW (10-32 x 1.75 mm)	2
14	PS04377	THROTTLE CABLE	1
15	82563	SCREW (TORX)	3
16	12789	WASHER	1
17	82623	SCREW	1
18	PA01396	OIL PUMP ASSEMBLY	1
19	PA01037	OIL INTAKE W/FILTER	1
20	984888001	CARBURETOR ASSEMBLY	1

ITEM NO.	TORQUE SPECS. in./lbs.	TORQUE SPECS. nm	REQUIRED LOCTITE
4	50-60	6.5-6.7	
13	30-40	3.4-4.5	
15	15-20	1.7-2.3	
17	15-20	1.7-2.3	

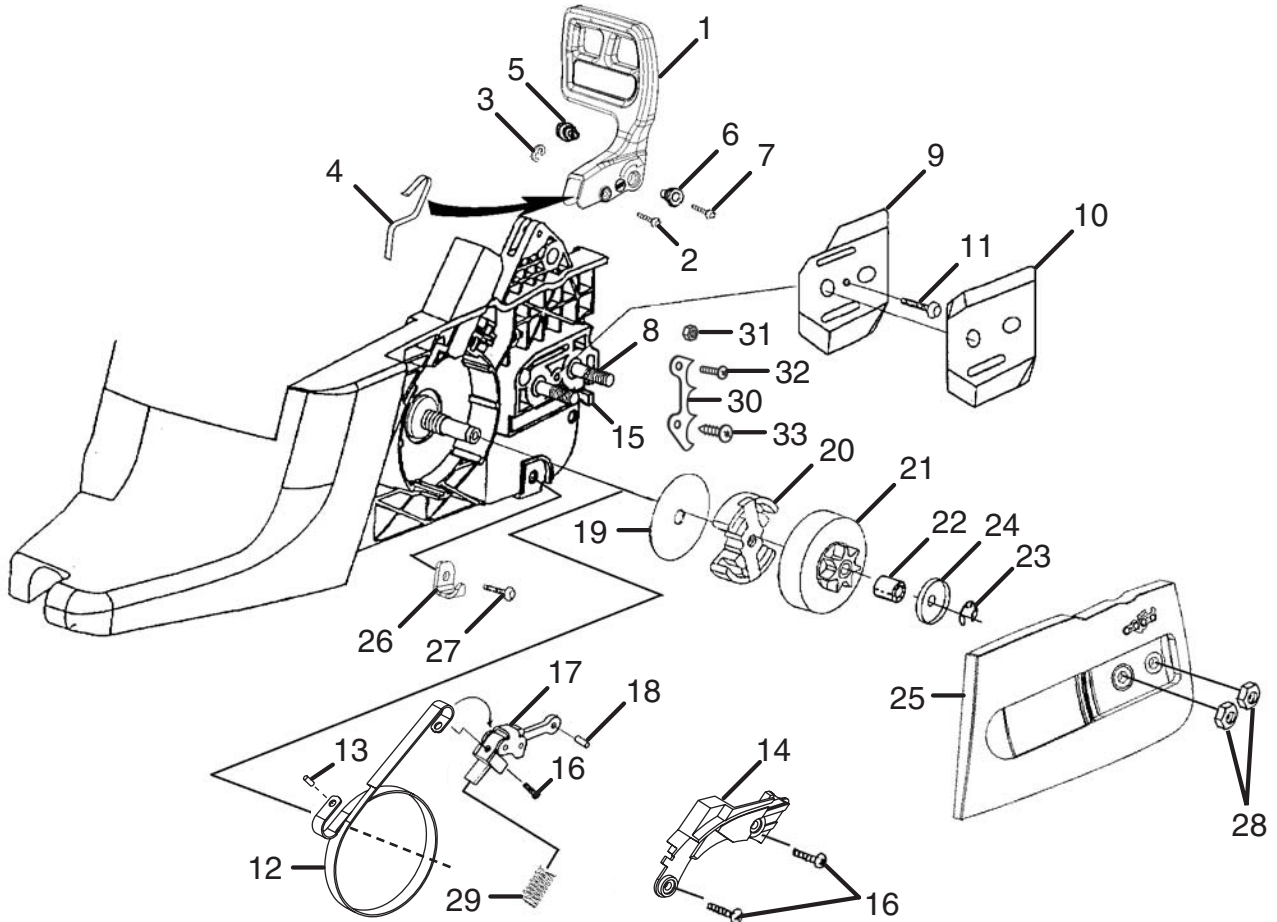
ENGINE HOUSING – FUEL TANK – OIL TANK



NO.	PART NO.	DESCRIPTION	QTY.
1	984363002	CYLINDER COVER	1
2	07597	SCREW (10-16 X 1.5 PAN HD.)	3
3	PS06119	CONTROL PANEL	1
4	PA01644	ROD, CHOKE	1
5	PS04377	THROTTLE CABLE	1
6	PS06163	SWITCH, ROCKER	1
7	07587	GROMMET - SPLIT	2
8	PS06164	PRIMER BULB	1
9	07454	RUBBER TUBING (5-1/2 in.)	1
10	985028001	CHASSIS ASSEMBLY (45CC)	1
11	N/A	ELEMENT, FILTER	2
12	N/A	DUCK BILL VALVE	2
13	N/A	OIL OUTLET GROMMET	1
14	PA01037	OIL INTAKE TUBE W/FILTER	1
15	07454	RUBBER TUBING (8-1/2 in.)	1
16	PS03380	FUEL FILTER	1
17	N/A	FUEL CAP W/RETAINER	1
18	N/A	OIL CAP W/RETAINER	1
	N/A	GUIDE BAR BOLT (NOT SHOWN)	2

NO.	PART NO.	DESCRIPTION	QTY.
19	07598	SPEED NUT	3
20	82527	SCREW (10-24 x 2 in.)	4
21	84008	WASHER	4
22	PS05070	PRE FILTER	1
	984287001	SOUND LEVEL DECAL	1
	06976	CE DECAL	1
	983840001	ZIP START DECAL	1
		DECALS: 16 in. (38cc)	
	PS06324	SAFETY	1
	PS00340	CHAIN BRAKE	1
	984315001	DRIVECASE COVER	1
	984314001	STARTER HOUSING	1
		DECALS: 18 in. (45cc)	
	PS06324	SAFETY	1
	PS00340	CHAIN BRAKE	1
	984318001	DRIVECASE COVER	1
	984317001	STARTER HOUSING	1

CLUTCH – CHAIN BRAKE – DRIVE CASE COVER

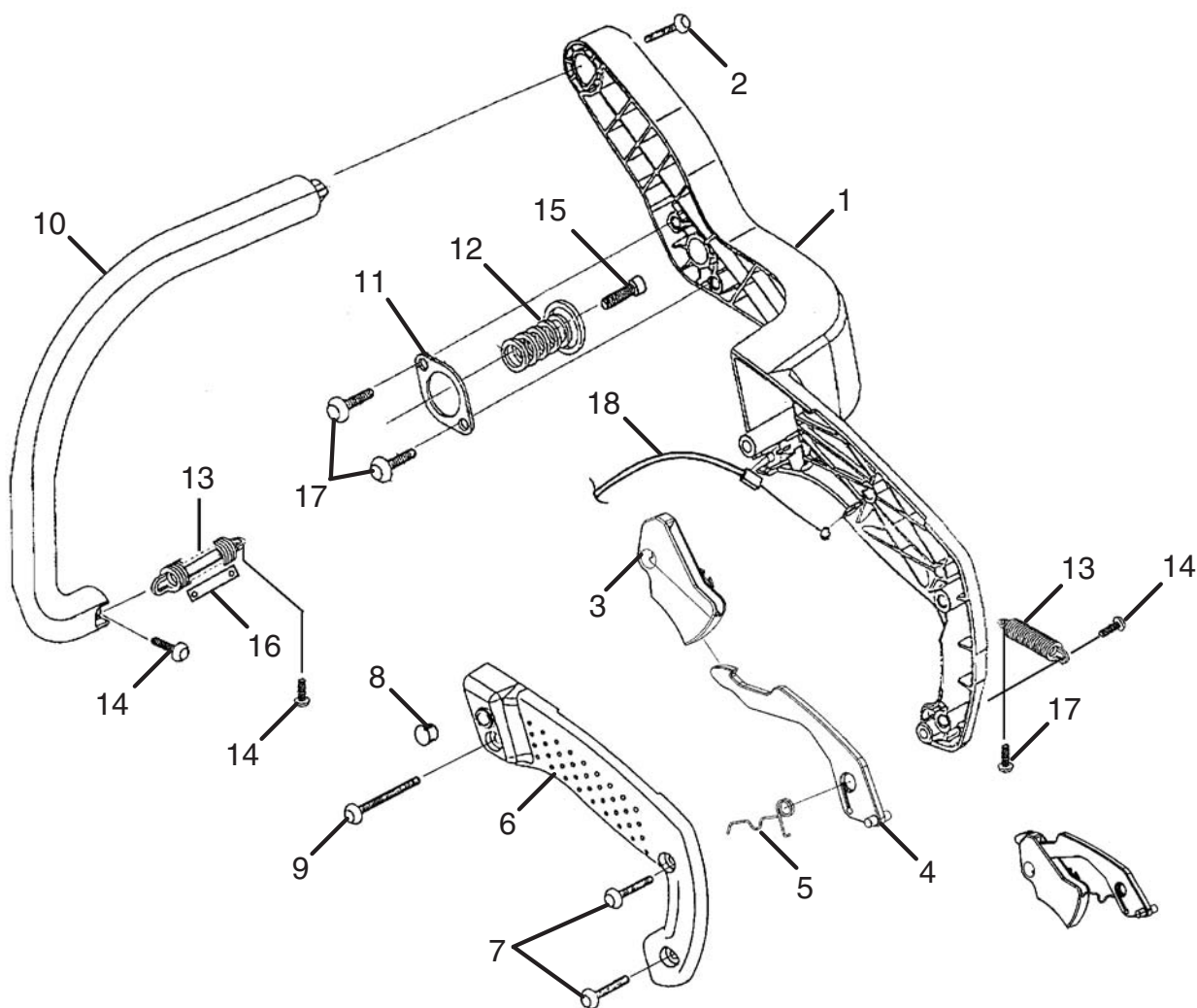


NO.	PART NO.	DESCRIPTION	QTY.
1	PS04726	HAND GUARD	1
2	07580	HAND GUARD ACTUATING PIN	1
3	69599	RETAINING RING	1
4	PS04955	SPRING, HANDGUARD	1
5	07393	PIVOT, LH	1
6	07392	PIVOT, RH	1
7	82624	SCREW (8-32 x 5/8 in.)	1
8	N/A	GUIDE BAR BOLT	2
9	07404A	PLATE, GUIDE BAR	1
10	07405A	PLATE, GUIDE BAR	1
11	82513	SCREW (6-19 x 1/2 in.)	1
12	985030001	BRAKE BAND	1
13	06672	PIN, ROLL	1
14	985021001	BRAKE BAND COVER	1
15	984901001	ADJUSTING PIN KIT	1
16	82623	SCREW (8-16 x .320)	3
17	984897001	CHAIN BRAKE LINK	1
18	95395A	PIN, ROLL	1
19	04940	THRUST WASHER	1
20	984894001	CLUTCH & HARDWARE	1

NO.	PART NO.	DESCRIPTION	QTY.
21	984640001	SPROCKET DRUM (.325 PITCH)	1
22	PS04669	BEARING, NEEDLE	1
23	08981	RING, RETAINING	1
24	04939A	WASHER	1
25	PA01024	DRIVE CASE COVER	1
26	PS02928	CHAIN CATCHER	1
27	82541	SCREW (10-24 x 1/2 in.)	1
28	81196	NUT, HEX	2
29	984679001	SPRING, COMPRESSION	1
30	PS06077	BUMPER SPIKE	1
31	81208	LOCK NUT, HEX (10-24)	1
32	82311	SCREW	1
33	82632	SCREW, TRUSS HD.	1

ITEM NO.	TORQUE SPECS.		REQUIRED LOCTITE
	in./lbs.	nm	
7	25-35	2.8-3.9	242 BLUE
11	8-18	0.9-2.0	
15	10-20	1.1-2.3	
16	20-30	2.3-3.4	
20	130-180	14.7-20.3	
27	30-50	3.4-5.6	
28	HAND TIGHT		

HANDLES



NO.	PART NO.	DESCRIPTION	QTY.
1	06870	REAR HANDLE	1
2	82615	SCREW (12-14 x 1-1/2 in.)	1
3	PS06110	TRIGGER, THROTTLE	1
4	PS06111	THROTTLE LOCK OUT	1
5	PS04914	TORSION SPRING	1
6	06871	HANDLE COVER	1
7	82563	SCREW (10-14 x 3/4 in.)	2
8	PS04932	PLUG-PLASTIC	1
9	82622	SCREW (10-14 x 1-3/8 in.)	1
10	PS03985	FRONT HANDLE KIT	1
2	82615	SCREW (12-14 x 1-1/2 in.)	1
11	07384	ISOLATOR PLATE	1
12	PS05199	UPPER ISOLATION SPRING	1
13	PS05217	SPRING – ISOLATOR	1
	PS05239	SHEET INSTRUCTIONS	1
14	82621	SCREW (10-14 x 5/8 in.)	3
15	82597	SCREW (10-24 x 5/8 in.)	1
16	01812A	SPRING RETAINER	1
17	82541	SCREW (10-14 x 1/2 in.)	3
18	PS04377	THROTTLE CABLE	1

ITEM NO.	TORQUE SPECS.		REQUIRED LOCTITE
	in./lbs.	nm	
2	40-50	4.5-5.6	
7	30-40	3.4-4.5	
9	30-40	3.4-4.5	
14	30-40	3.4-4.5	
15	40-50	4.5-5.6	
17	30-40	3.4-4.5	