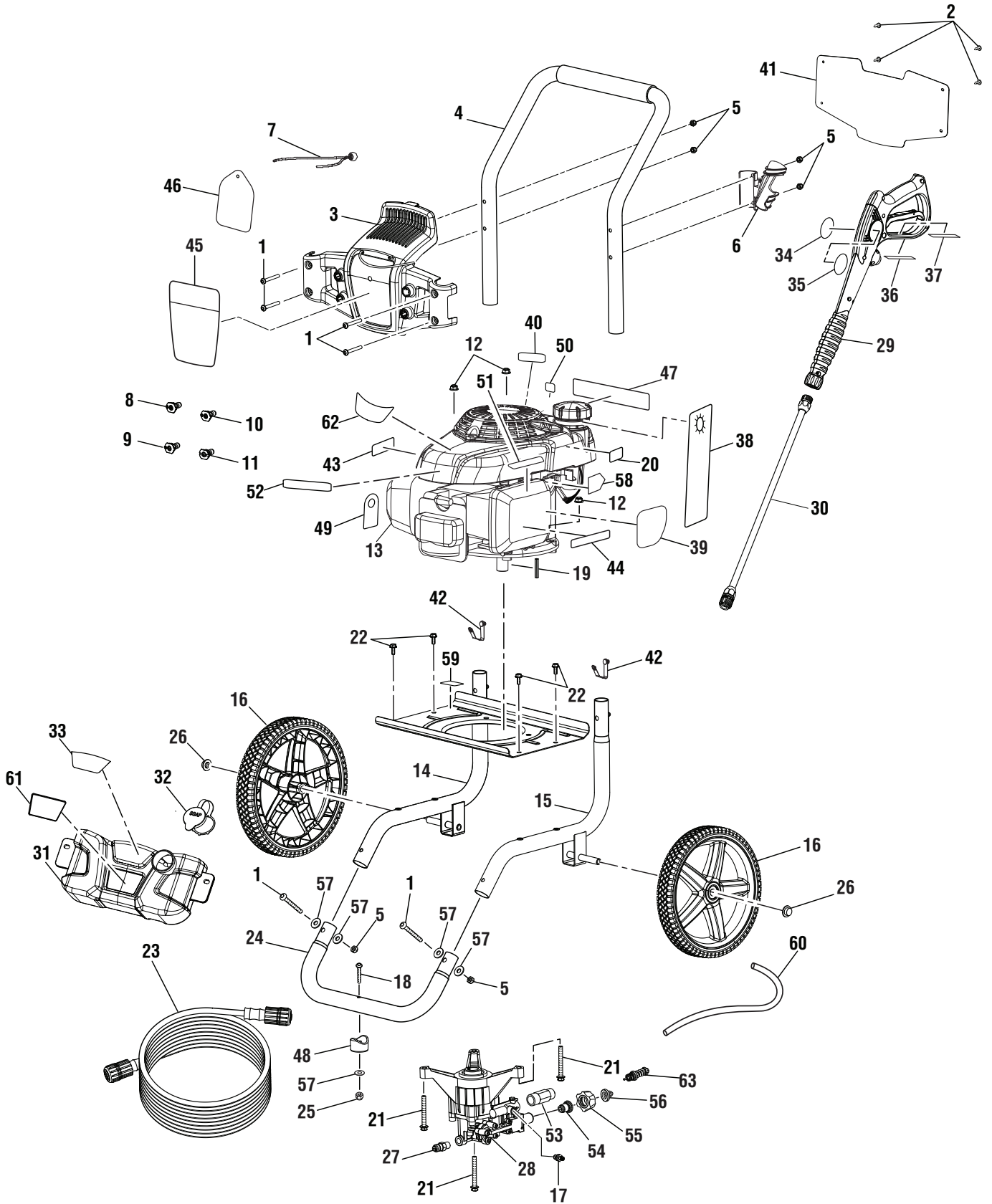


RYOBI PRESSURE WASHER MODEL NO. RY80930



## RYOBI PRESSURE WASHER MODEL NO. RY80930

The model number will be found on a label attached to the engine plate. Always mention the model number in all correspondence regarding your **PRESSURE WASHER** or when ordering replacement parts.

KEY NO.	PART NUMBER	DESCRIPTION	QTY	KEY NO.	PART NUMBER	DESCRIPTION	QTY
1	661503015	Screw (M6 x 48 mm, T30 Torx Hd.).....	6	33	941608003	Soap Dilution Label.....	1
2	660923016	Screw (#6-20).....	4	34	940786035	Label (Wand Logo).....	1
3	310673006	Hose and Nozzle Holder.....	1	35	940654084	Label (Wand Warning).....	1
4	308638042	Handle w/Foam.....	1	36	940654228	Warning Label (Fr/Sp).....	1
5	678610006	Lock Nut (M6).....	6	37	940786020	Label (Wand Rating).....	1
6	519313009	Wand Holder.....	1	38	940473012	Danger Hangtag.....	1
7	310664001	Bungee Cord Assembly.....	1	39	940698019	Engine Control Label.....	1
8	308700030	40° Nozzle.....	1	40	940947010	Combustion Label.....	1
9	308706011	Soap Nozzle.....	1	41	524408007	Quick Start Panel.....	1
10	308699029	25° Nozzle.....	1	42	308421004	Lock Button w/Spring Clip.....	2
11	308697029	0° Nozzle.....	1	43	940680027	Hot Surface Label.....	1
12	678774002	Flange Nut (M8 x 1.25).....	3	44	940803018	EMC Label.....	1
13	Note A	Engine (Honda GCV 160, 160cc OHC Vertical).....	1	45	940779114	Performance Label.....	1
14	310703012	Main Frame Assembly (Left, Includes Key No. 42).....	1	46	961039005	Nozzle Hangtag.....	1
15	310704013	Main Frame Assembly (Right, Includes Key No. 42).....	1	47	940894012	Danger Label.....	1
16	308451053	Wheel.....	2	48	570554002	Wear Pad.....	1
17	308452002	Detergent Suction Kit.....	1	49	961454001	Dipstick Hangtag.....	1
18	661501001	Screw (1/4-20 x 1.85 in., T30 Torx Hd.).....	1	50	940872003	No E85 Label.....	1
19	678041007	Output Shaft Key (40 mm).....	1	51	941486008	Inquiries Label.....	1
20	940899003	Do Not Mix Label.....	1	52	941714004	Honda Brand Label.....	1
21	660962003	Bolt (M8 x 60 mm, Flange Hd.).....	3	53	308862003	Outlet Tube.....	1
22	661505020	Bolt (M6 x 16 mm).....	4	54	642058001	Spindle.....	1
23	308835006	Hose (25 ft., 3100 psi).....	1	55	310993003	Collar.....	1
24	310742011	Front Frame (Includes Key No. 18, 25, 48 and 57)...	1	56	308662001	Filter Screen (Pump Inlet).....	1
25	678016006	Lock Nut (1/4-20).....	1	57	638128004	Washer (1/4 in.).....	5
26	679957001	Push Cap Nut (1/2 in.).....	2	58	941550005	Engine On/Off Label.....	1
27	678169004	Thermal Release Valve.....	1	59	940871002	Oil Fill Location Label.....	1
28	308653052	Pump.....	1	60	570728007	Chemical Siphon Tube.....	1
29	308760019	Trigger Handle Assembly.....	1	61	941608002	Powered By Honda Label.....	1
30	308506006	Extension Wand.....	1	62	941754006	Honda Shroud Label.....	1
31	580875009	Soap Tank.....	1	63	310924003	Pump Unloader Valve.....	1
32	310650004	Soap Tank Cap.....	1	<b>Not Shown:</b>			
				120900147	Pump Protector (4 oz., Not Included)...	1	
				990000742	Operator's Manual.....	1	
				990000743	Quick Start Guide.....	1	

**NOTE A:** OWT Industries, Inc., will not provide engines as replacement parts. Engines are covered through the engine manufacturer's warranty. Consult the accompanying engine manual or contact our service department for assistance.