

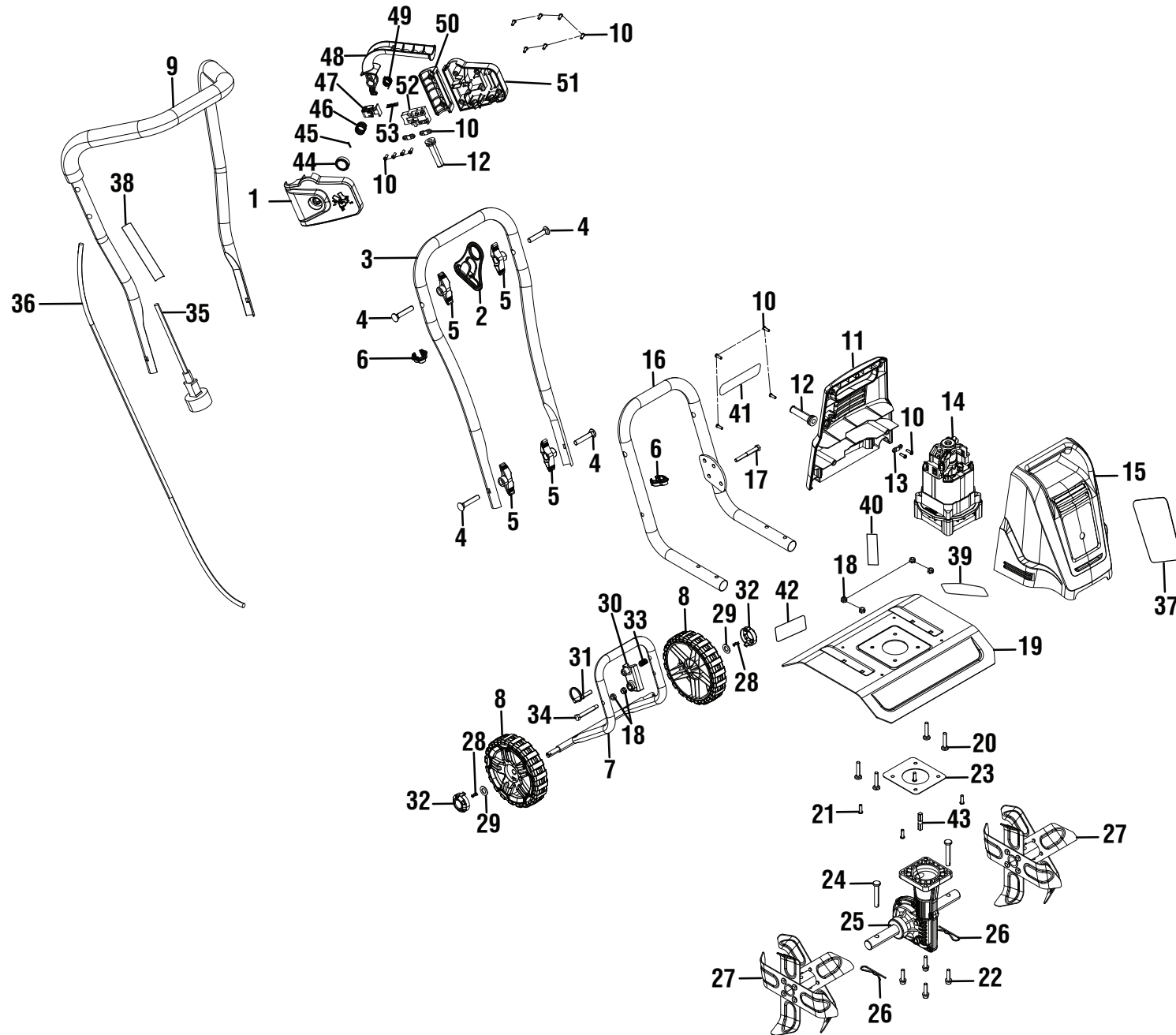
**RYOBI**  
**Electric Cultivator**  
**Model No. RYAC700**  
**Repair Sheet**

**TECHTRONIC INDUSTRIES POWER EQUIPMENT**

P.O. Box 1288, Anderson, SC 29622 USA  
1-800-860-4050 • [www.ryobitools.com](http://www.ryobitools.com)

RYOBI ELECTRIC CULTIVATOR MODEL NO. RYAC700

FIGURE A



**RYOBI ELECTRIC CULTIVATOR MODEL NO. RYAC700**

**PARTS LIST (FIGURE A)**

| <b>KEY NO.</b> | <b>PART NUMBER</b> | <b>DESCRIPTION</b>                   | <b>QTY</b> |
|----------------|--------------------|--------------------------------------|------------|
| 1              | 996808001          | Switch Box (Upper).....              | 1          |
| 2              | 996816001          | Cord Retainer.....                   | 1          |
| 3              | 996818001          | Lower Handle.....                    | 1          |
| 4              | 996814001          | Carriage Bolt (M8 x 45 mm).....      | 4          |
| 5              | 996815001          | Knob.....                            | 4          |
| 6              | 996817001          | Cord Hook.....                       | 1          |
| 7              | 996840001          | Wheel Height Adjusting Assembly..... | 1          |
| 8              | 996912001          | Wheel Assembly.....                  | 2          |
| 9              | 996891001          | Upper Handle Assembly.....           | 1          |
| 10             | 996799001          | Screw (M4 x 12 mm, Pan Hd.).....     | 16         |
| 11             | 996827001          | Motor Housing (Rear).....            | 1          |
| 12             | 996798001          | Bend Relief.....                     | 2          |
| 13             | 996800001          | Cord Clamp.....                      | 3          |
| 14             | 996906001          | Motor Assembly.....                  | 1          |
| 15             | 996828001          | Motor Housing (Front).....           | 1          |
| 16             | 996819001          | Handle Frame (Lower).....            | 1          |
| 17             | 996838001          | Bolt (M6 x 50 mm, Hex Hd.).....      | 1          |
| 18             | 996836001          | Lock Nut (M6).....                   | 6          |
| 19             | 996837001          | Blade Shield.....                    | 1          |
| 20             | 996849001          | Carriage Bolt (M6 x 35 mm).....      | 4          |
| 21             | 996834001          | Screw (M5 x 16 mm, Pan Hd.).....     | 4          |
| 22             | 996854001          | Screw (M6 x 25 mm, Pan Hd.).....     | 4          |
| 23             | 996850001          | Seal.....                            | 1          |
| 24             | 997121001          | Clevis Pin.....                      | 2          |
| 25             | 996851001          | Transmission Assembly.....           | 1          |
| 26             | 997122001          | Cotter Pin.....                      | 2          |
| 27             | 996902001          | Blade Assembly.....                  | 2          |
| 28             | 996847001          | Steel Hook.....                      | 2          |

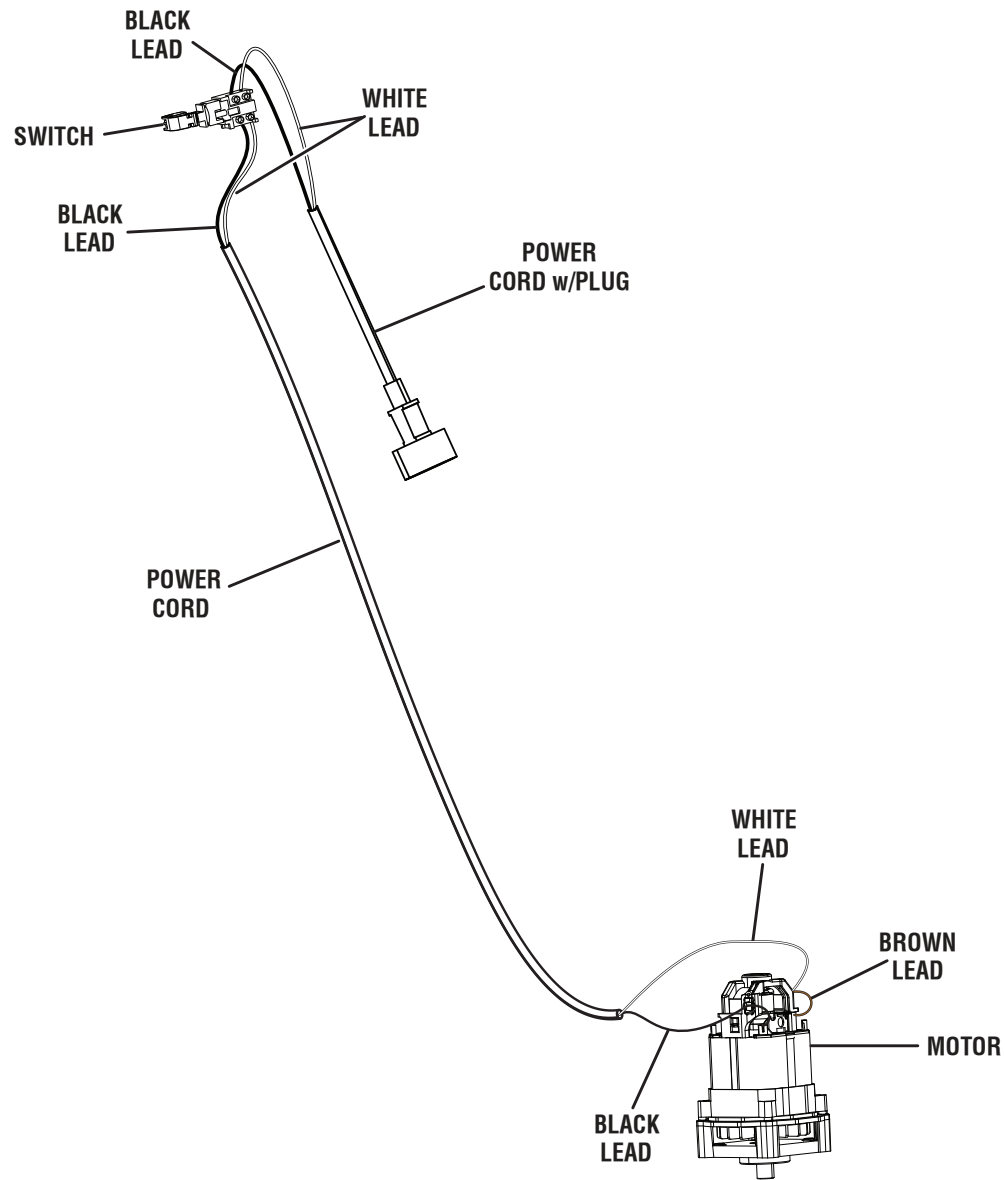
| <b>KEY NO.</b> | <b>PART NUMBER</b> | <b>DESCRIPTION</b>                        | <b>QTY</b> |
|----------------|--------------------|---|------------|
| 29             | 996903001          | Washer (ID10 x OD18 x 1.5t).....          | 2          |
| 30             | 996841001          | Angle Adjustment Plate.....               | 1          |
| 31             | 997120001          | Lock Pin.....                             | 1          |
| 32             | 996848001          | Wheel Hub.....                            | 2          |
| 33             | 996842001          | Compression Spring (Pulling Rod).....     | 1          |
| 34             | 996839001          | Bolt (M6 x 50 mm, Hex Hd.).....           | 1          |
| 35             | 996796001          | Power Cord w/Plug.....                    | 1          |
| 36             | 996797001          | Power Cord.....                           | 1          |
| 37             | 941020015          | Logo Label.....                           | 1          |
| 38             | 941021016          | Icon Warning Label.....                   | 1          |
| 39             | 940851447          | Warning Label (French/Spanish).....       | 1          |
| 40             | 941021018          | No Hands/No Feet Label.....               | 1          |
| 41             | 941020016          | Data Warning Label.....                   | 1          |
| 42             | 941020018          | Wheel Adjustment Label.....               | 1          |
| 43             | 996932001          | Flex Shaft.....                           | 1          |
| 44             | 996810001          | Switch Button.....                        | 1          |
| 45             | 996811001          | Pin.....                                  | 1          |
| 46             | 996809001          | Compression Spring (Switch Button).....   | 1          |
| 47             | 996806001          | Switch Push Rod.....                      | 1          |
| 48             | 996804001          | Lever.....                                | 1          |
| 49             | 996803001          | Torsion Spring (Trigger Lever).....       | 1          |
| 50             | 996801001          | Handle Fixing Plate.....                  | 1          |
| 51             | 996802001          | Switch Box (Lower).....                   | 1          |
| 52             | 996807001          | Switch.....                               | 1          |
| 53             | 996805001          | Compression Spring (Switch Push Rod)..... | 1          |

**Not Shown:**

995000656 Operator's Manual

5-7-19  
(Rev:02)

FIGURE B



WIRING DIAGRAM