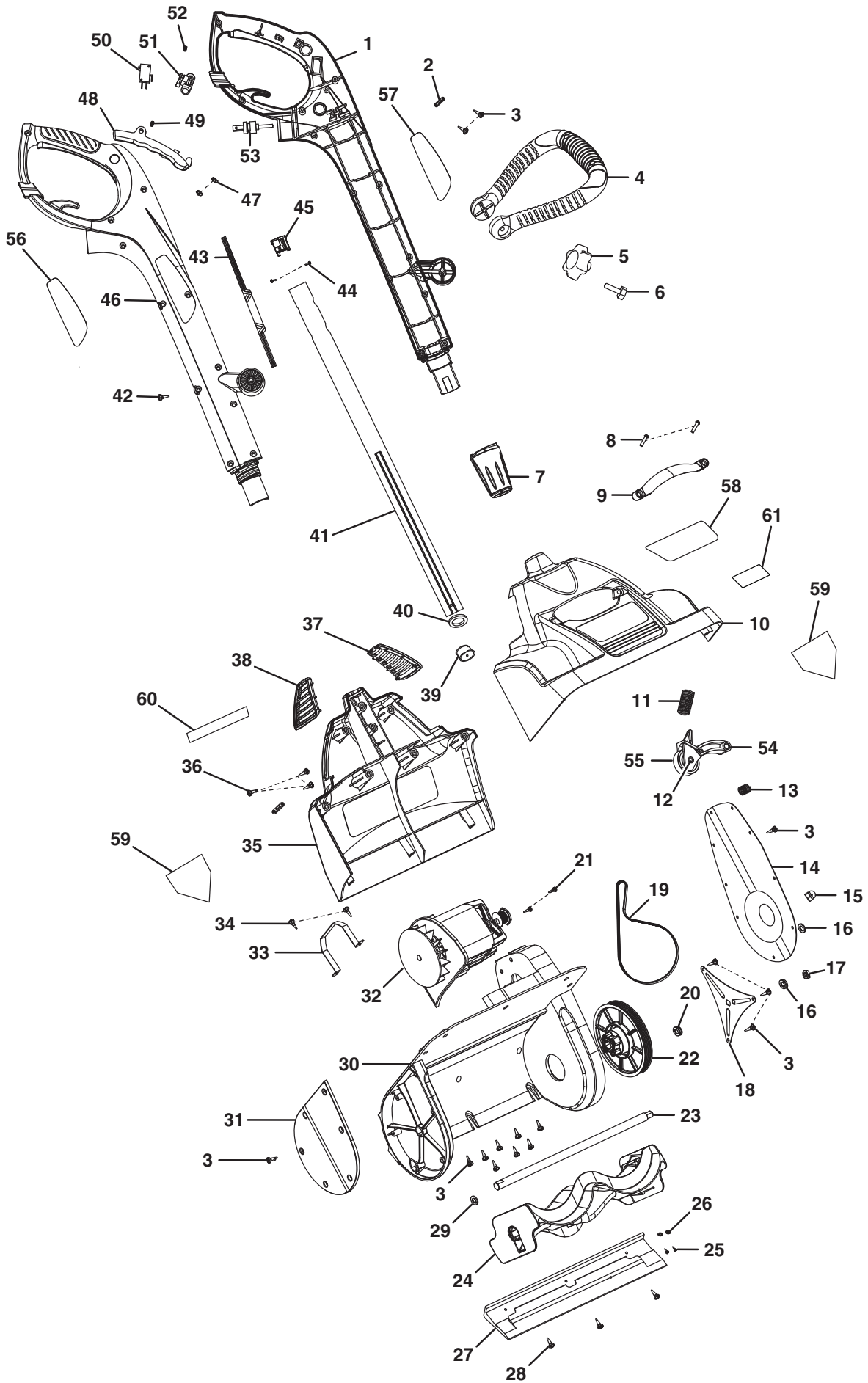




Snow Blower
Model Number RYAC800
Replacement Parts List

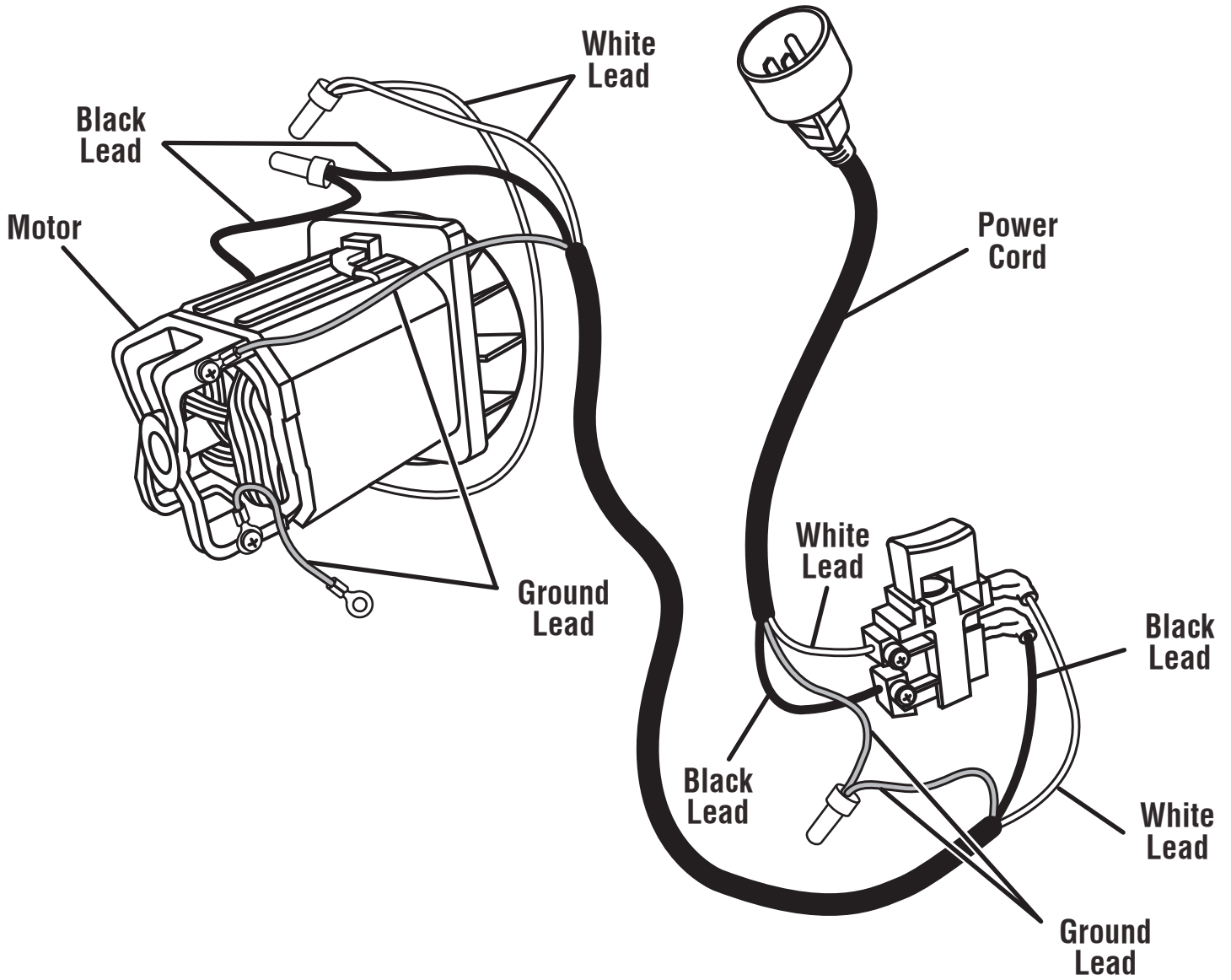
RYOBI SNOW BLOWER – MODEL NUMBER RYAC800



RYOBI SNOW BLOWER – MODEL NUMBER RYAC800

The model number will be found on a label attached to the starter housing. Always mention the model number in all correspondence regarding your **SNOW BLOWER** or when ordering repair parts.

| KEY NO. | PART NUMBER | DESCRIPTION | QTY | KEY NO. | PART NUMBER | DESCRIPTION | QTY |
|------------|----------------|----------------------------|-----|------------|-------------------|--------------------------------|-----|
| 1 | 099735001001 | Left Handle..... | 1 | 34 | 099735001034 | Screw (M4.8 x 15 mm) | 2 |
| 2 | 099735001003 | Wire Clamp..... | 2 | 35 | 099735001035 | Upper Back Housing..... | 1 |
| 3 | 099735001004 | Screw (M4 x 15 mm) | 46 | 36 | 099735001036 | Screw (M4 x 18 mm) | 3 |
| 4 | 099735001005 | Auxiliary Handle | 1 | 37 | 099735001037 | Left Venting | 1 |
| 5 | 099735001006 | Knob..... | 1 | 38 | 099735001038 | Right Venting | 1 |
| 6 | 099735001007 | Bolt..... | 1 | 39 | 099735001039 | Bend Relief..... | 1 |
| 7 | 099735001008 | Coupler..... | 1 | 40 | 099735001040 | Washer (Rubber)..... | 1 |
| 8 | 099735001009 | Screw (M6 x 25 mm) | 2 | 41 | 099735001041 | Tube..... | 1 |
| 9 | 099735001055 | Handle | 1 | 42 | 099735001042 | Screw (M4 x 10 mm) | 5 |
| 10 | 099735001010 | Front Housing (Upper)..... | 1 | 43 | 099735001043 | Wire | 1 |
| 11 | 099735001011 | Spring..... | 1 | 44 | 099735001044 | Screw (M3.5 x 8 mm) | 2 |
| 12 | 099735001012 | Board (Tension Wheel)..... | 1 | 45 | 099735001045 | Bushing | 1 |
| 13 | 099735001013 | Spring..... | 2 | 46 | 099735001002 | Right Handle..... | 1 |
| 14 | 099735001014 | Left Cover..... | 1 | 47 | 099735001046 | Terminal (B)..... | 2 |
| 15 | 099735001015 | Nut (M10)..... | 1 | 48 | 099735001047 | Trigger | 1 |
| 16 | 099735001016 | Washer (M10) | 1 | 49 | 099735001048 | Spring..... | 1 |
| 17 | 099735001017 | Nut (M10)..... | 1 | 50 | 099735001049 | Switch | 1 |
| 18 | 099735001018 | Pulley Bracket | 1 | 51 | 099735001050 | Lockout Button..... | 1 |
| 19 | 099735001019 | Belt | 1 | 52 | 099735001051 | Lockout Spring..... | 1 |
| 20 | 099735001020 | Washer (M13) | 1 | 53 | 099735001052 | Prong..... | 1 |
| 21 | 099735001021 | Screw (M5 x 18 mm) | 3 | 54 | 099735001053 | Bracket (Tension Wheel)..... | 1 |
| 22 | 099735001022 | Belt Pulley | 1 | 55 | 099735001054 | Bearing | 1 |
| 23 | 099735001023 | Shaft..... | 1 | 56 | 940851015 | Logo Label (Left) | 1 |
| 24 | 099735001024 | Auger..... | 1 | 57 | 940851016 | Logo Label (Right) | 1 |
| 25 | 099735001025 | Screw (M4 x 12 mm) | 2 | 58 | 940851017 | Performance/Logo Label..... | 1 |
| 26 | 099735001026 | Washer (M4) | 2 | 59 | 941641001 | Danger Label (No Hands/Feet).. | 1 |
| 27 | 099735001027 | Scraper..... | 1 | 60 | 940657082 | Data/Warning Label..... | 1 |
| 28 | 099735001028 | Screw (M4 x 13 mm) | 3 | 61 | 940657084 | Chute Icon Label..... | 1 |
| 29 | 099735001029 | Washer (M4) | 1 | | Not Shown: | | |
| 30 | 099735001030 | Lower Housing | 1 | | 991000135 | Operator's Manual | |
| 31 | 099735001031 | Right Cover | 1 | | 1-27-15 | | |
| 32 | 099735001032 | Motor Assembly | 1 | | (Rev:01) | | |
| 33 | 099735001033 | Motor Bracket | 1 | | | | |



Wiring Diagram