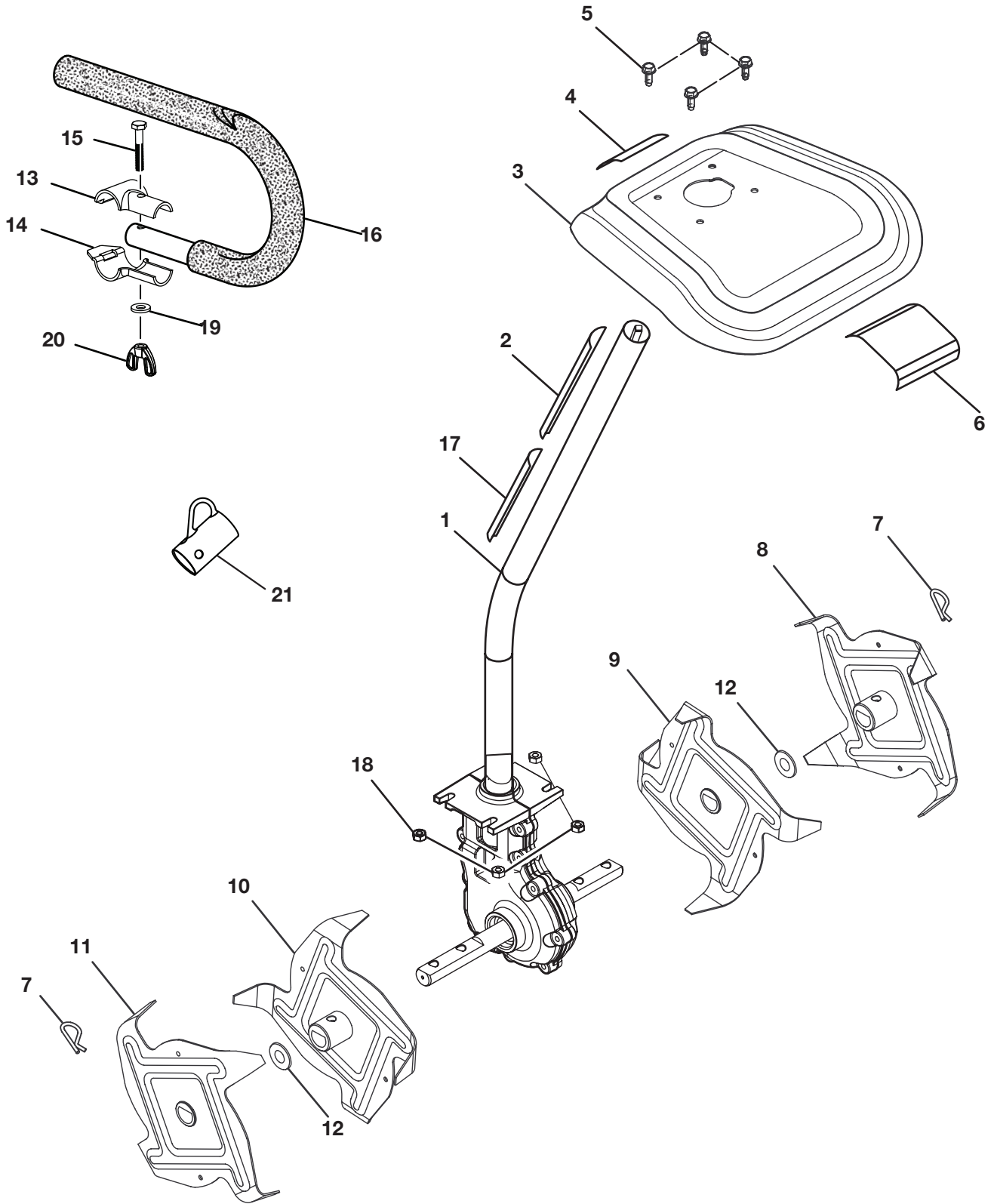


**RYOBI**  
**EXPAND-IT TILLER ATTACHMENT**  
**ITEM NO. RYTIL66**  
**MFG. NO. 090119016**  
**REPAIR SHEET**

RYOBI EXPAND-IT TILLER ATTACHMENT - ITEM NUMBER RYTIL66



## RYOBI EXPAND-IT TILLER ATTACHMENT – ITEM NUMBER RYTI66

The item number and manufacturing number can be found on a label attached to the unit. Always mention the item number and manufacturing number in all correspondence regarding your **TILLER ATTACHMENT** or when ordering repair parts.

### PARTS LIST

KEY NO.	PART NUMBER	DESCRIPTION	QTY
1	120530015	Gear Case and Drive Shaft Assembly (Inc. Key Nos. 2 and 17) .....	1
2	940657031	Warning Label .....	1
3	120530016	Tine Shield Assembly Inc. Key Nos. 4 and 6) .....	1
4	940705022	Logo Label.....	1
5	660955001	Screw (1/4-20 x 5/8 in.) .....	4
6	940654015	Warning Label .....	1
7	638001004	Hitch Pin (3/4 in.) .....	2
8	308693004	Tine Assembly D.....	1
9	308693003	Tine Assembly C .....	1
10	308693002	Tine Assembly B.....	1
11	308693001	Tine Assembly A.....	1
12	900755001	Felt Washer.....	2
13	638564001	Top “J” Handle Clamp.....	1
14	638565001	Bottom “J” Handle Clamp.....	1
15	660643001	Bolt (1/4’20 x 1-1/2 in., Hex Hd.).....	1
16	308046005	“J” Handle and Grip .....	1
17	940726013	Logo Label.....	1
18	678132001	Lock Nut (1/4-20) .....	4
19	678013001	Washer .....	1
20	518949001	Wing Nut (1/4-20) .....	1
21	518019002	Hanger Cap .....	1

**NOT SHOWN:**

991000560      Operator's Manual  
6-24-15  
(Rev:01)