

ShopMaster

DELTA®



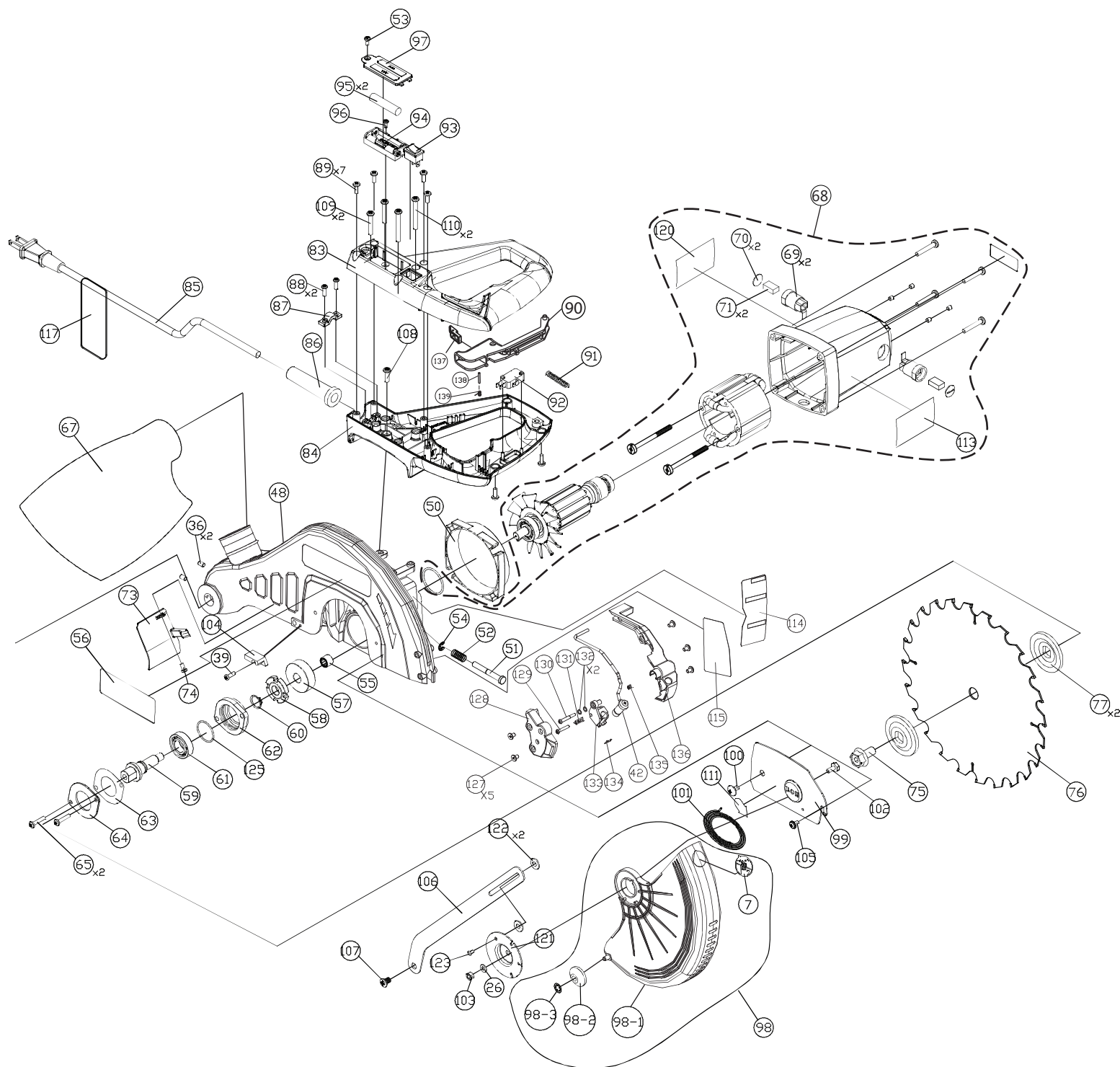
MB-28

PART #: DPEC005206

DATE: 12-14-2017

REVISED: 01-26-2018

S26-262L 10" Miter Saw



P2

REPLACEMENT PARTS

ITEM #	DELTA PART #	DESCRIPTION	QTY	ITEM #	DELTA PART #	DESCRIPTION	QTY
1	DPEC005195	Miter Saw Base	1	61	DPEC004042	Ball Bearing	1
2	DPEC003072	Steel Ball 8mm	1	62	DPEC004045	Bearing Bracket	1
3	DPEC004704	Compression Spring	1	63	DPEC004047	Gasket 0.2t	1
4	DPEC003074	Wrench Storage Grommet	1	64	DPEC004606	Bearing Plate	1
5	***	Allen Wrench 5mm	1	65	***	Phillips Pan Head Screw M4 X 20	2
6	DPEC004584	Boundary Line Warning Label	2	67	DPEC004644	Dust Bag	1
7	DPEC005097	No Hands Icon Label	3	68	DPEC005099	Motor Assembly	1
8	DPEC003078	Wear Pad	8	69	DPEC003806	Brush Holder	2
9	DPEC005196	Miter Saw Table	1	70	DPEC004053	Brush Cap	2
10	DPEC004706	Throat Plate	1	71	DPEC003807	Carbon Brush	2
11	***	Phillips Flat Head Screw M4 X 8	5	73	DPEC004719	Laser Cover	1
12	***	Lock Washer M6	2	74	***	Phillips Pan Head Screw M4 X 8	1
13	***	Hex-Socket Cap Screw M6 X 20	2	75	DPEC004638	Hex Washer Head Screw	1
14	DPEC004707	Miter Lock Knob	1	76	DPEC004645	10" Miter Saw Blade 24 Tooth	1
15	DPEC004708	Table Hold Down	1	77	DPEC004639	Blade Flange	2
16	***	Phillips Pan Head Screw M4 X 8	4	83	DPEC004733	Upper Handle	1
17	DPEC004709	Miter Pointer Window	1	84	DPEC004734	Lower Handle	1
18	DPEC004710	Control Arm	1	85	DPEC004735	Cord Assembly	1
19	***	Hex Head Bolt M8 X 23	1	86	DPEC003821	Cord Holder	1
20	DPEC003090	Flat Washer 8.2 X 20 X 1.5t	1	87	DPEC003819	Cord Clamp	1
21	***	Locknut M8	1	88	***	Self-Tap Screw M4 X 16	2
22	DPEC003380	Hex Socket Cap Screw M10 X 15	1	89	DPEC004616	Self-Tap Screw M4 X 16 (7.8)	7
23	DPEC005197	Fence	1	90	DPEC005198	Power Switch Lever	1
24	***	Hex Socket Cap Screw M8 X 30	2	91	DPEC004610	Switch Spring	1
25	***	Lock Washer M8	2	92	DPEC004612	On/Off Switch	1
26	***	Flat Washer 6 X 16 X 1t	2	93	DPEC004615	Laser Switch	1
27	DPEC004711	Pivot Arm	1	94	DPEC004666	Battery Box	1
28	DPEC004525	Bevel Lock Knob	1	95	***	Battery AAA	1
29	DPEC003099	Flat Washer 8 X 22 X 3t	1	96	***	Self-Tap Screw M3 X 8	1
30	***	Set Screw M8 X 16	2	97	DPEC004647	Battery Box Cover	1
31	DPEC003101	Stop Pin	1	98	DPEC004737	Guard Assembly	1
32	DPEC003102	Stop Pin Cap	1	98-1	DPEC005192	Lower Guard	1
33	DPEC004528	O-Ring P-5	1	98-2	DPEC004629	Guide Roller	1
34	DPEC004550	Bevel Pointer	1	98-3	DPEC003587	Retaining Ring D4.8	1
35	DPEC003105	Bevel Scale	1	99	DPEC004626	Rotating Cover	1
36	***	Set Screw M5 X 8	2	100	DPEC004668	Fixed Screw M5 X 7	1
37	DPEC004712	Stop Block	1	101	DPEC004627	Return Spring	1
38				102	***	Hex Head Screw M6 X 11	1
39	***	Phillips Pan Head Screw M4 X 12	2	103	***	Lock Nut M6	1
40	***	Flat Washer 4 X 10 X 1t	1	104	DPEC004635	Stop Block	1
41				105	DPEC004637	Phillips Pan Screw w/ washer M4 X 9	1
42	DPEC004607	Laser Module	1	106	DPEC004739	Link Arm	1
43	DPEC003113	Hex Socket Cap Screw M10 X 48	1	107	DPEC004634	Link Arm Screw	1
44	DPEC003114	Flat Washer 10.2 X 20 X 0.5t	1	108	***	Phillips Pan Head Screw M5 X 12	1
45	DPEC003115	Pivot Shaft	1	109	***	Phillips Pan Head Screw M5 X 20	2
46	DPEC004621	Spring Sleeve	1	110	***	Phillips Pan Head Screw M5 X 30	2
47	DPEC004714	Tension Spring	1	111	DPEC002886	Blade Screw Direction Warning Label	1
48	DPEC005191	Saw Head Housing	1	113	DPEC004586	Main Warning Label	1
50	DPEC004716	Fan Casing	1	114	DPEC005055	Lower Guard Warning Label	1
51	DPEC004602	Spindle Lock Pin	1	115	DPEC005054	Laser Aperture Warning Label	1
52	DPEC004603	Compression Spring	1	116	Not Sold	Logo Label	1
53	***	Phillips Pan Head Screw M4 X 10	1	117	DPEC004582	Main Warning Label FR/SP	1
54	DPEC004055	E-Ring E4	1	118	DPEC003200	Flat Washer 10.5 X 23 X 2t	1
55	DPEC004605	Needle Bearing	1	119	DPEC003089	Flat Washer 8.2 X 26 X 1.5	1
56	Not Available	Logo Label	1	120	DPEC005208	Data/Spec Label	1
57	DPEC004619	Gear	1	121	DPEC004742	Spring Fixed Plate	1
58	DPEC004046	Lock Ring	1	122	DPEC004631	Flat Washer 5 X 13 X 1.5	2
59	DPEC004618	Gear Shaft	1	123	DPEC004633	Rivet 4 X 9	1
60	DPEC004048	C-Ring STW-15	1	124	***	Phillips Pan Head Screw M5 X 12	1
			1	125	DPEC003749	O-Ring S-32	1

*** = Item is standard hardware and should be purchased from a local hardware or home improvement store. Colors may vary.

REPLACEMENT PARTS

ITEM #	DELTA PART #	DESCRIPTION	QTY	ITEM #	DELTA PART #	DESCRIPTION	QTY
126	Not Sold	Motor Logo Label	1				
127	***	Self Tapping Screw M4 X 8	5				
128	DPEC005193	Laser Cover (left)	1				
129	***	Phillips Screw M3 X 15	1				
130	DPEC004872	Shoulder Screw M3 X 23	1				
131	DPEC004875	Laser Adjustment Spring	1				
132	DPEC004874	Washer 4 X 6 X 0.5t	2				
133	DPEC004871	Laser Bracket	1				
134	DPEC004876	Laser U-Clip	1				
135	DPEC004873	Compression Spring	1				
136	DPEC005194	Laser Cover (right)	1				
137	DPEC005199	Lock-off Device	1				
138	DPEC005200	Pin	1				
139	DPEC005201	Lock-off Device Spring	1				
140	DPEC005098	Line Warning Label	2				
141	DPEC005202	Stop Plate	1				
142	***	Self Tapping screw M5 X 12	1				
143	DPEC004640	Work Clamp Assembly	1				
144	DPEC004643	Support Arm	1				
145	DPEC004642	Threaded Rod w/ Handle	1				
146	DPEC004641	Force Plate	1				
147	***	Phillips-Pan Head Screw M6 X 12	1				

*** = Item is standard hardware and should be purchased from a local hardware or home improvement store. Colors may vary.