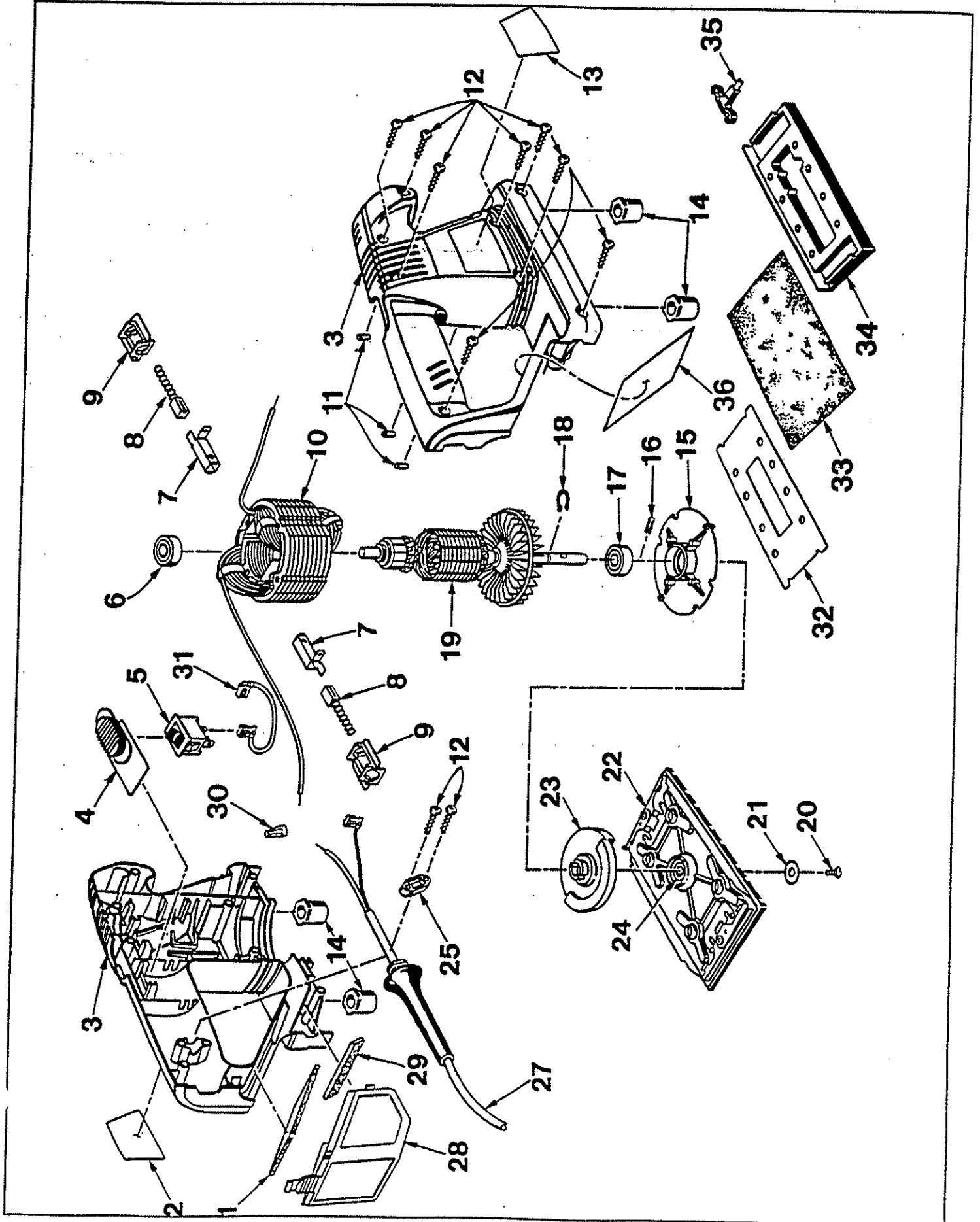


# SANDER

## S-45



## PARTS LIST FOR AFTER SALES SERVICE MODEL S45

	PART NO.	DESCRIPTION	QTY	REF	PART NO.	DESCRIPTION	QTY
	969897001	LARGE GASKET	1	34	968965-001	HOLDER PLATE	1
2	969087001	LOGO PLATE	1	35	968962-001	PUNCH	1
3	969629000	HOUSING ASSEMBLY	1	36	969988-001	DUST BOX DECAL	1
4	968776001	BUTTON	1				
5	968303014	SWITCH	1				
6	622274001	BALL BEARING #608LLB	1				
7	999186001	BRUSH TUBE	2				
8	968304007	BRUSH ASSEMBLY	2				
9	999184001	BRUSH TUBE HOLDER	2				
10	968307018	FIELD ASSEMBLY	1				
11	623019004	RUBBER PLUG	2				
12	968700011	SCREW	10				
13	969075001	DATA PLATE	1				
14	968048001	RUBBER POST	4				
15	968046001	BEARING PLATE	1				
16	941401022	ROLL PIN	1				
17	622274001	BALL BEARING #608ZZ	1				
18	622167014	RETAINING RING	1				
19	968306017	ARMATURE	1				
20	622183010	SCREW	1				
21	968051001	WASHER	1				
22	969701001	PLATEN ASSEMBLY	1				
	968047001	COUNTERBALANCE	1				
24	968305020	BALL BEARING #6001LLB	1				
25	967917001	CORD CLAMP	1				
27	990502003	CORD	1				
28	968050001	DUST BOX	1				
29	969896001	SMALL GASKET	1				
30	623173001	WIRE CONNECTOR	1				
31	968858008	BLACK LEAD W/ TERMINAL	1				
32	968964002	CUTTER GUIDE	1				
33							

**SERVICE NOTES:**