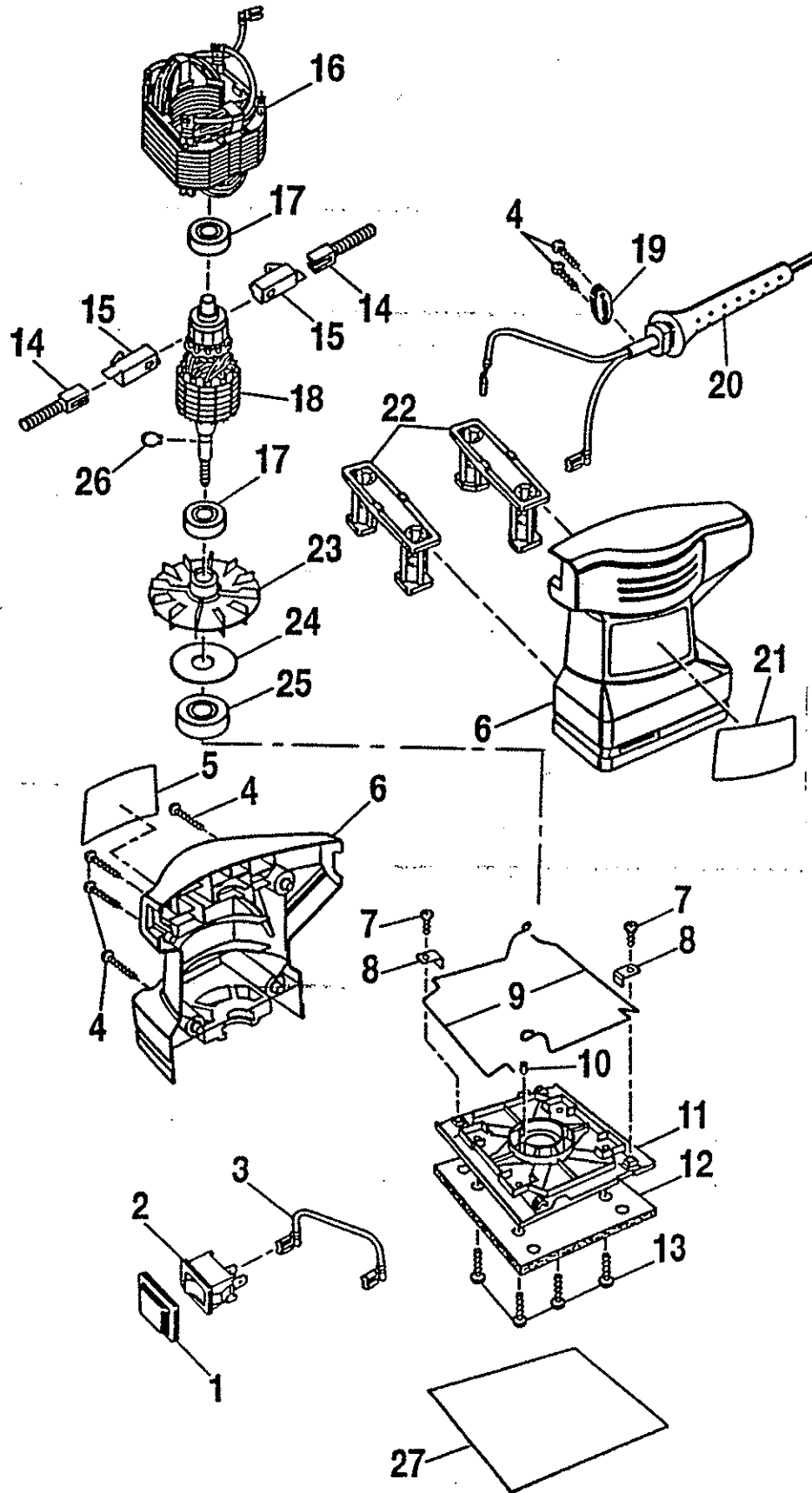


SANDER S605



PARTS LIST FOR AFTER SALES SERVICE MODEL S605

REF	PART NO.	DESCRIPTION	QTY	REF	PART NO.	DESCRIPTION	QTY
	971443002	SWITCH COVER	1				
2	968190001	SWITCH	1				
3	971785004	RED LEAD	1				
4	968700011	SCREW	6				
5	662340001	DATA PLATE	1				
6	662636001	HOUSING ASSEMBLY	1				
7	968700004	SCREW	2				
8	3150030	CLAMP	2				
9	662318001	WIRE CLAMP	2				
10	623019004	RUBBER PLUG	1				
11	662315002	PLATEN	1				
12	662317002	CUSHION	1				
13	999306009	SCREW	4				
14	610784042	BRUSH ASSEMBLY	2				
15	999185001	BRUSH TUBE	2				
16	971875001	FIELD	1				
17	622274001	BALL BEARING #608ZZ	2				
18	662638001	ARMATURE	1				
19	967917001	CORD CLAMP	1				
20	662778001	CORD	1				
21	662341001	LOGO PLATE	1				
22	6360333	CUSHION POST	2				
23	662637001	FAN WITH BEARING	1				
24	662314001	FLANGED WASHER	1				
25	989377002	BALL BEARING #6000LLB	1				
26	622167014	RETAINING RING	1				
27		* SANDPAPER					
* SEE CATALOG FOR ASSORTMENT							

SERVICE NOTES: