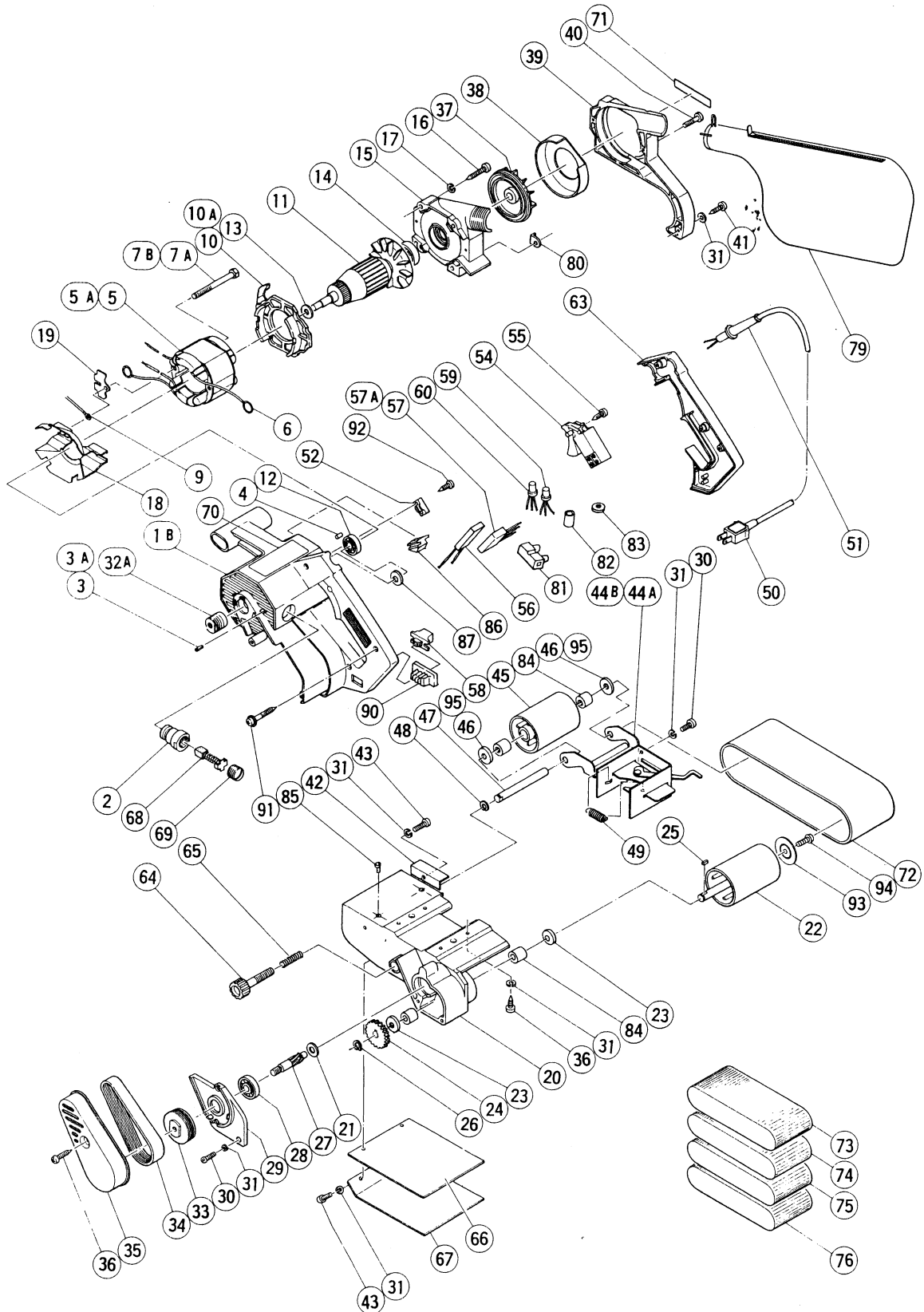


## ELECTRIC TOOL PARTS LIST

■ BELT SANDER  
Model SB-75

1994 · 4 · 4  
(E11)



## PARTS

SB - 75

ITEM NO.	CODE NO.	DESCRIPTION	NO. USED	REMARKS
*	1B 953-140	HOUSING ASS'Y	1	INCLUD.2,3A,7B,90
*	1B 953-172Z	HOUSING ASS'Y	1	INCLUD.2,3A,7B,90 FOR AUT
*	2 958-900	BRUSH HOLDER	2	
*	2 981-586	BRUSH HOLDER	2	FOR AUT
	3 949-368	SLOTTED HD. SET SCREW M4X10 (10 PCS.)	2	TILL 6.1988
	3A 938-477	HEX. SOCKET SET SCREW M5X8	2	SINCE 7.1988
	4 931-701	BEARING LOCK	1	
*	5 953-142C	STATOR ASS'Y 110V - 115V	1	INCLUD.6
*	5 953-142D	STATOR ASS'Y 120V - 127V	1	INCLUD.6
*	5 953-142E	STATOR ASS'Y 220V - 230V	1	INCLUD.6
*	5 953-142F	STATOR ASS'Y 240V	1	INCLUD.6
*	5 953-142G	STATOR ASS'Y 230V	1	INCLUD.6 FOR NZL
*	5 953-142M	STATOR ASS'Y 230V	1	INCLUD.6 FOR SAF
*	5 953-142H	STATOR ASS'Y 240V	1	INCLUD.6 FOR GBR
*	5 953-142K	STATOR ASS'Y 110V	1	INCLUD.6 FOR GBR
*	5 953-142L	STATOR ASS'Y 115V	1	INCLUD.6 FOR USA
*	5A 340-104L	STATOR ASS'Y 220V - 230V	1	INCLUD.6 FOR EUROPE
*	5A 340-104M	STATOR 220V - 230V	1	INCLUD.6 FOR FRG
	6 930-703	BRUSH TERMINAL	2	
	7A 949-233	MACHINE SCREW M5X55 (10 PCS.)	2	TILL 6.1980
	7B 953-174	HEX. HD. TAPPING SCREW D5X55	2	SINCE 7.1980
*	9 953-033	INTERNAL WIRE	1	
*	9 961-421Z	INTERNAL WIRE	1	FOR FIN,AUT
*	10 953-143	FAN GUIDE (A)	1	FOR AUS,GBR,HOL,DEN,SWE,AUT,SUI
*	10A 953-185	FAN GUIDE	1	FOR SAU,INA,SYR,SIN,KUW,NGU,NZL,SAF,ITA, FRG,FRA,USA,CAN,FIN,NOR
*	11 953-145U	ARMATURE ASS'Y 110V - 115V	1	INCLUD.12 - 14
*	11 953-145D	ARMATURE 120V - 127V	1	
*	11 953-145E	ARMATURE 220V - 230V	1	
*	11 953-145F	ARMATURE 230V - 240V	1	FOR KUW,NGU,AUS,GBR,FRG,FRA,FIN,NOR
	12 629-VVM	BALL BEARING 629VVMC2EPS2L	1	
	13 954-234	BEARING WASHER (B)	1	
	14 620-0VV	BALL BEARING 6200VVMCPS2S	1	
	15 953-146	INNER COVER	1	
	16 957-580	TAPPING SCREW D5X30	4	
	17 949-454	SPRING WASHER M5 (10 PCS.)	4	
*	18 953-147	FAN GUIDE (B)	1	TILL 11.1986 FOR AUT,GBR,HOL,DEN,SWE, AUS,SUI
*	19 953-148	FAN GUIDE (C)	2	TILL 11.1986 FOR AUT,GBR,HOL,DEN,SWE, AUS,SUI
*	20 953-149	BODY ASS'Y	1	INCLUD.21,84
*	20 953-176Z	BODY ASS'Y	1	INCLUD.21,84 FOR SWE,NOR
	21 935-522	METAL	1	
*	22 953-150	DRIVE PULLEY	1	(TILL 12.1985 FOR FRG ONLY)
*	22 953-183	DRIVE PULLEY	1	SINCE 1.1986 FOR FRG
	23 948-213	WASHER (B) D19	2	
	24 953-151	GEAR	1	
	25 944-109	FEATHER KEY 3X3X8	1	
	26 939-540	RETAINING RING FOR D10 SHAFT (10 PCS.)	1	
	27 953-152	PINION	1	
	28 620-0VV	BALL BEARING 6200VVMCPS2S	1	

\*: ALTERNATIVE PARTS

## PARTS

SB - 75

ITEM NO.	CODE NO.	DESCRIPTION	NO. USED	REMARKS
29	953-153	GEAR COVER	1	
30	949-218	MACHINE SCREW M4X14 (10 PCS.)	5	
31	949-453	SPRING WASHER M4 (10 PCS.)	8	
32A	987-532	PULLEY (A)	1	
33	953-154	PULLEY (B)	1	
34	958-874	BELT	1	
35	953-155	BELT COVER	1	
36	954-004	TAPPING SCREW D4X16	5	
37	953-053	DUST FAN	1	
38	953-156	DUST GUIDE	1	
39	953-157	DUST COVER	1	
40	949-223	MACHINE SCREW M4X25 (10 PCS.)	2	
41	956-384	TAPPING SCREW D4X20	1	
42	953-158	STRIKING GUIDE	1	
43	949-216	MACHINE SCREW M4X10 (10 PCS.)	3	
*	44A	953-159	BELT TENSIONER ASS'Y	1 INCLUD.45 - 49 (TILL 12.1985 FOR FRG ONLY)
*	44B	953-182	BELT TENSIONER ASS'Y	1 INCLUD.45 - 49,95 SINCE 1.1986 FOR FRG
	45	953-160	IDLE PULLEY ASS'Y	1 INCLUD.84
	46	953-161	WASHER	2
	47	953-162	SHAFT (B)	1
	48	939-540	RETAINING RING FOR D10 SHAFT (10 PCS.)	1
	49	953-163	SPRING	1
*	50	500-201Z	CORD	1 (CORD ARMOR D10.7) FOR ASIA
*	50	500-223Z	CORD	1 (CORD ARMOR D10.7) FOR SIN
*	50	500-226Z	CORD	1 (CORD ARMOR D8.2) FOR OCEANIA
*	50	500-231Z	CORD	1 (CORD ARMOR D8.2) FOR GBR,SAF
*	50	500-234Z	CORD	1 (CORD ARMOR D8.2) FOR EUROPE
*	50	500-240Z	CORD	1 (CORD ARMOR D8.2) FOR USA
*	50	500-420Z	CORD	1 (CORD ARMOR D10.7) FOR SAU (127V)
*	50	500-423Z	CORD	1 (CORD ARMOR D8.2) FOR SAU (220V)
*	51	958-049Z	CORD ARMOR D8.2	1
*	51	940-778	CORD ARMOR D10.7	1
	52	937-631	CORD CLIP	1
*	54	956-632	SWITCH (B) (2P SCREW TYPE) W/LOCK	1
*	54	931-573	SWITCH (2P PILLAR TYPE) W/LOCK	1 FOR GBR,HOL,DEN,FIN,SWE,AUT,NOR,ITA,ESP
*	54	953-178	SWITCH (2P PILLAR TYPE) W/SAFETY LOCK	1 FOR FRA
	55	954-017	TAPPING SCREW D4X12	1
*	56	956-613	DIODE 100V - 127V	1
*	56	956-614	DIODE 200V - 240V	1
*	56	953-250P	DIODE 115V	1 FOR USA
*	57	960-283Z	NOISE SUPPRESSOR	1 FOR SUI
*	57A	994-273	NOISE SUPPRESSOR	1
*	58	953-171	SLIDE SWITCH (1P SOLDER TYPE)	1
*	58	953-179	SLIDE SWITCH (1P SOLDER TYPE)	1 FOR USA
*	59	959-140	CONNECTOR 50091 (10 PCS.)	1
*	60	959-141	CONNECTOR 50092 (10 PCS.)	1
*	61	959-144	TERMINAL 50051 (10 PCS.)	1
*	62	959-145	TERMINAL 50052 (10 PCS.)	2
	63	953-164	HANDLE COVER	1
	64	953-070	ADJUSTING SCREW	1
	65	953-071	SPRING	1

\*: ALTERNATIVE PARTS

## PARTS

SB - 75

ITEM NO.	CODE NO.	DESCRIPTION	NO. USED	REMARKS
	66	953-165	SHOE CUSHION	1
	67	953-166	SHOE PLATE	1
	68	999-043	CARBON BRUSH (1 PAIR)	2
*	69	945-161	BRUSH CAP	2
*	69	961-781	BRUSH CAP	2 FOR AUT
*	70		NAME PLATE	1
	71	957-561	HITACHI LABEL	1
	72	939-731	SANDING BELTS 76X533 WA40 (10 PCS.)	1
	73	939-732	SANDING BELTS 76X533 WA60 (10 PCS.)	1
	74	939-733	SANDING BELTS 76X533 WA80 (10 PCS.)	1
	75	939-734	SANDING BELTS 76X533 WA100 (10 PCS.)	1
	76	939-735	SANDING BELTS 76X533 WA120 (10 PCS.)	1
*	77	942-944	CUP WASHER	2
*	78	949-440	WASHER (BRASS) M3.5 (10 PCS.)	3
	79	953-078	DUST BAG	1
	80	953-169	PLATE	1
*	81	938-307Z	PILLAR TERMINAL	1
*	82	981-373	TUBE (D)	2
*	83	949-440	WASHER (BRASS) M3.5 (10 PCS.)	2
	84	953-175	METAL D10X14X12	2
*	85	949-509	RIVET D2.5X3.2 (10 PCS.)	2
*	86	953-177Z	WIND COVER	1 FOR NZL
*	87	944-516	BEARING WASHER (B)	1 TILL 12.1985
	90	971-792	SLIDE SWITCH COVER	1 SINCE 1.1986
	91	956-636	TAPPING SCREW (W/WASHER) D4X25	3
	92	984-750	TAPPING SCREW (W/FLANGE) D4X16	2
*	93	953-181	WASHER (B)	1 FOR FRG
*	94	987-201	SEAL LOCK SCREW (W/SP. WASHER) M4X10	1 FOR FRG
*	95	953-184	WASHER (B)	2 FOR FRG

\*: ALTERNATIVE PARTS

4 - 94



