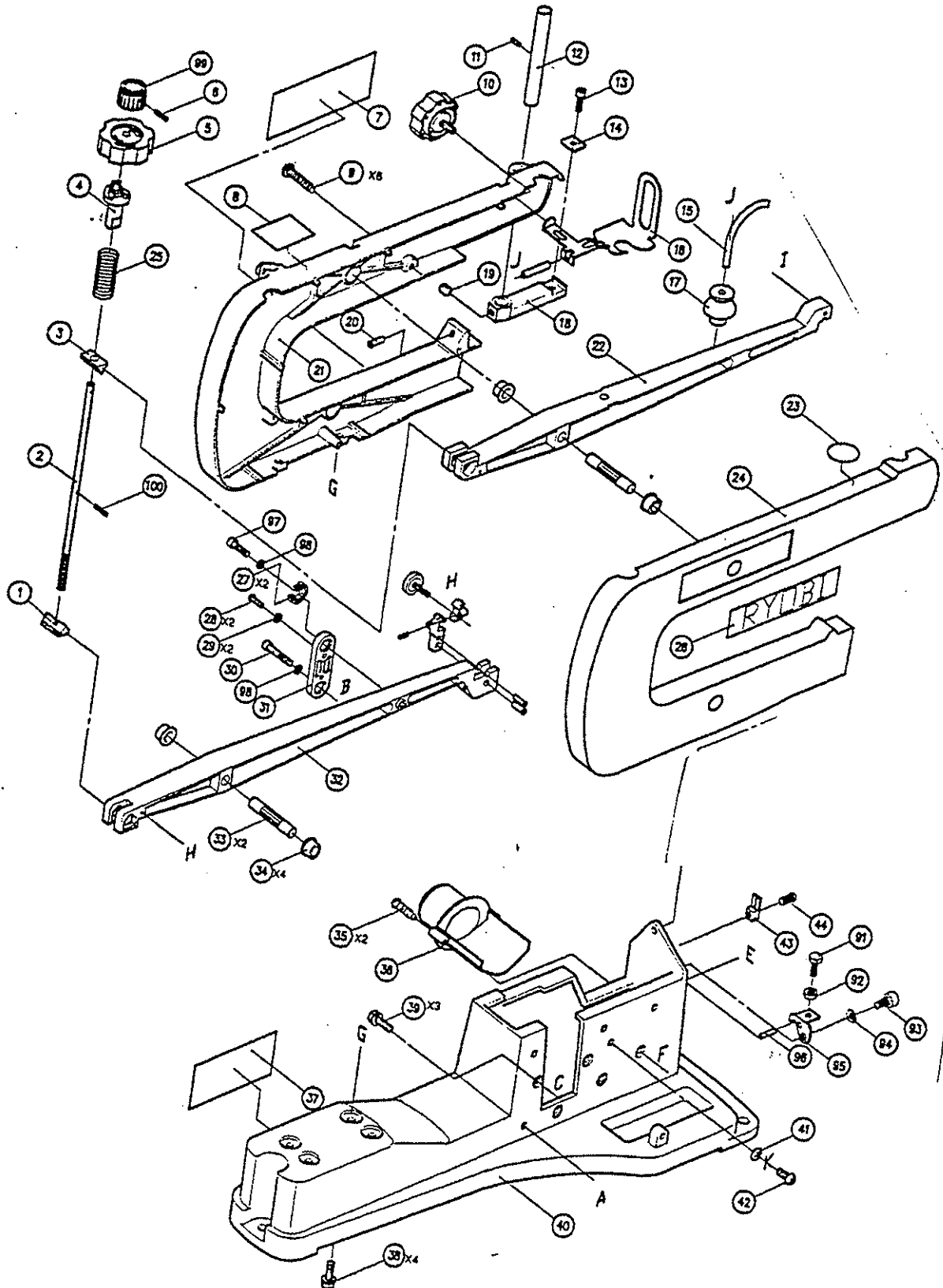
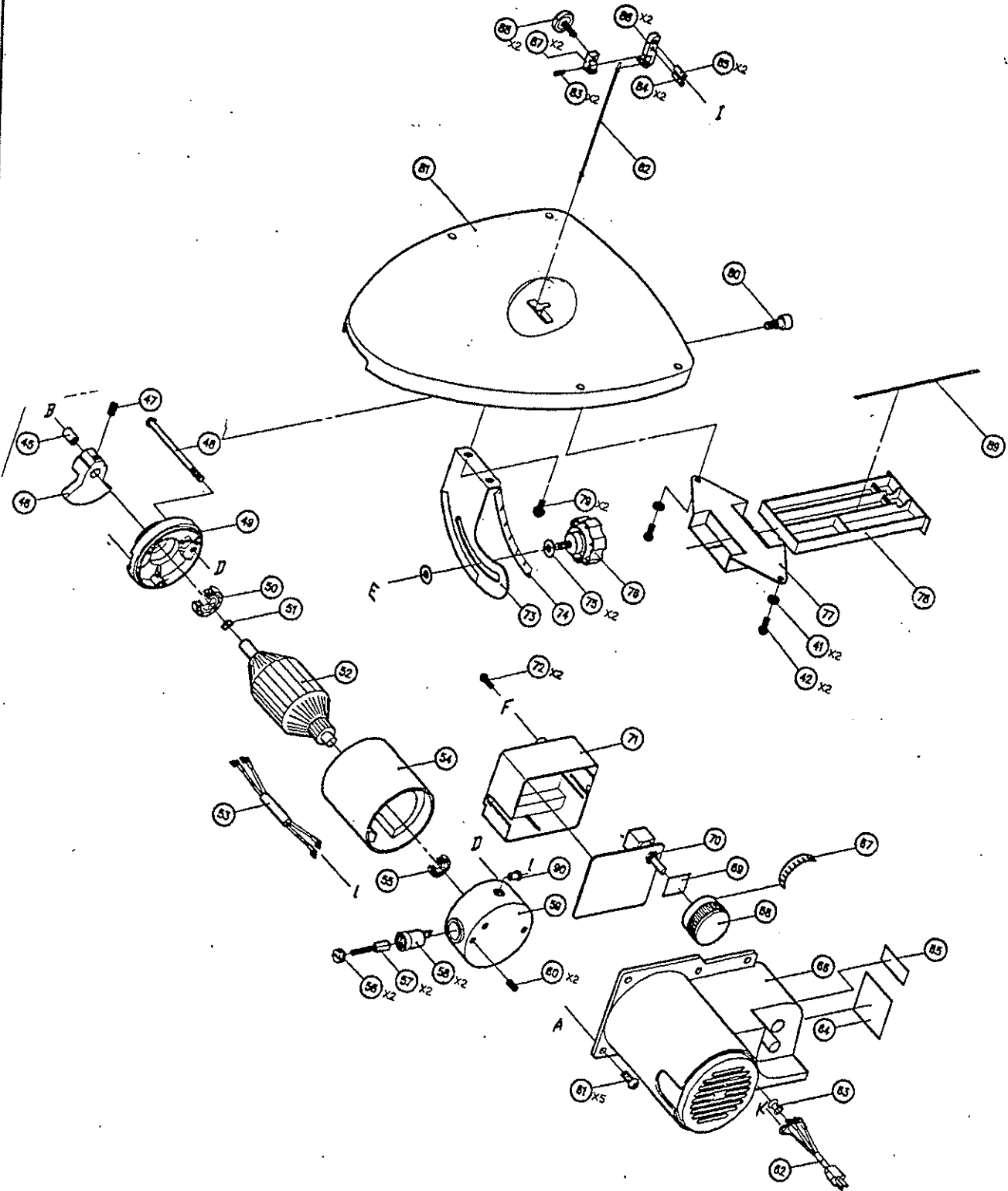


SC165VS SCROLL SAW



SCROLL SAW

SC165VS



PARTS LIST FOR AFTER SALES SERVICE

MODEL SC165VS

REF	PART NO.	DESCRIPTION	QTY	REF	PART NO.	DESCRIPTION	QTY
1	105012001	TENSION WEDGE	1	51	460001000	C RING S10	1
2	168015000	BOLT	1	52	900101014	ARMATURE	1
3	102019004	TENSION WEDGE	1	53	900112008	MOTOR CORD	1
4	105027100	SPACER	1	54	900102002	HOUSING ASSEMBLY	1
5	105046000	TENSION KNOW	1	55	622274001	BALL BEARING 608ZZ	1
6	420010251	ROLL SPRING PIN	1	56	900015002	BRUSH CAP	2
7	168040005	NAME PLATE	1	57	900014006	BRUSH ASSEMBLY	2
8	168042007	INSTRUCTION PLATE	1	58	900013000	BRUSH HOLDER	2
9	220030402	SCREW M4 X 28L	8	59	900012004	REAR MOTOR COVER	1
10	168033008	LOCK HANDLE	1	60	180030501	CLAMP SCREW M5 X 10L	2
11	420010301	ROLL SPRING PIN	1	61	100030501	BOLT M5 X 12L	5
12	168025005	SUPPORT PLATE	1	62	168007007	POWER CORD	1
13	700305010	HEX SKT BOLT M5 X 10L	1	63	705052100	STRAIN RELIEF	1
14	168024009	SUPPORT PLATE	1	64	168038008	ON/OFF SWITCH LABEL	1
15	168018008	ELBOW	1	65	168045005	POINTER	1
16	168023003	HOLD DOWN	1	66	168004009	MOTOR COVER	1
17	168016006	DUST BLOWER	1	67	168039004	KNOB LABEL	1
18	168022007	HOLD DOWN CLAMP	1	68	168006001	KNOB	1
19	180030800	CLAMP SCREW M8 X 6L	1	69	102008003	GASKET	1
20	420010502	ROLL SPRING PIN	1	70	168005005	PC BOARD ASSEMBLY	1
21	168010000	RIGHT COVER ARM	1	71	168003003	CONTROL BOX	1
22	102014004	UPPER ARM	1	72	700350602	BOLT M6 X 22L	2
23	168043003	CAUTION LABEL	1	73	168031006	TILT SCALE	1
24	168011006	LEFT COVER ARM	1	74	168044009	SCALE LABEL	1
25	168019004	ARM SPRING	1	75	350306161	FLAT WASHER M5	2
26	168037002	LOGO NAME PLATE	1	76	168035000	LOCK HANDLE	1
	9820625	BALL BEARING 625ZZ	2	77	168028003	BLADE CONTAINER	1
28	230030400	SCREW M4 X 8L	2	78	168029009	STORAGE LID	1
29	350304100	FLAT WASHER M4	2	79	190030500	BOLT M5 X 8L	2
30	700305030	HEX SKY BOLT M5 X 30L	1	80	102039004	TABLE SCREW	1
31	168017002	LINK	1	81	168030000	TABLE	1
32	102015000	LOWER ARM	1	82	101069006	BLADE	1
33	102023003	SPACER	2	83	410012501	PIN	2
34	102022007	BUSHING	4	84	420010401	SPRING PIN	2
35	700330401	SCREW M4 X 16L	2	85	420010501	SPRING PIN	2
36	168002007	HOOD NOZZLE	1	86	168012002	LEFT CLAMP	2
37	168041001	WARNING LABEL	1	87	168013008	RIGHT CLAMP	2
38	300306020	HEX BOLT M6 X 20L	4	88	168014004	CLAMP SCREW	2
39	300305015	HEX BOLT M5 X 15L	3	89	101072009	BLADE	1
40	168001001	BASE PLATE	1	90	716710100	SNAP BUSHING	1
41	371105000	WASHER M5	3	91	100305015	HEX BOLT M5 X 15L	1
42	100030500	BOLT M5 X 8L	3	92	300030050	HEX NUT	1
43	168032002	INDICATOR POINT	1	93	168056006	SPECIAL HEX SKT BOLT	1
44	100010501	BOLT M5 X 15L	1	94	380306120	WASHER M6	1
45	168034004	SPACER	1	95	168055000	STOP	1
46	102078008	COUNTERBALANCE	1	96	420010501	ROLL SPRING PIN	1
47	180030600	CLAMP SCREW M6 X 6L	1	97	700305018	HEX SKT BOLT M5 X 18L	1
48	190030508	BOLT M5 X 88L	1	98	360305000	SPRING WASHER M5	2
49	900111002	FRONT MOTOR COVER	1	99	105045000	CAP	1
	969235005	BALL BEARING 6200ZZ	1	100	420010302	ROLL SPRING PIN	1

SERVICE NOTES: