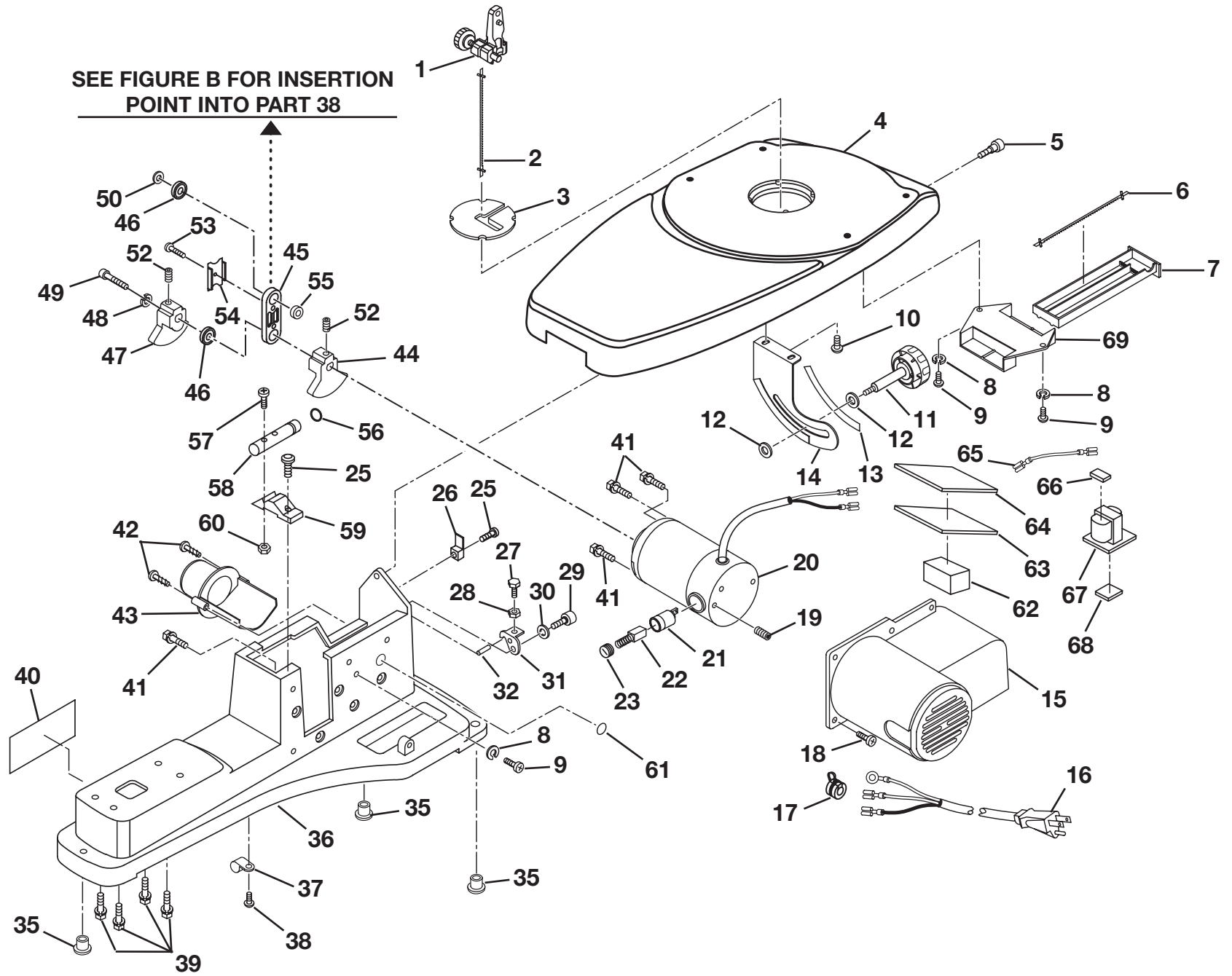


RYOBI 18 in. (457 mm) SCROLL SAW – MODEL NO. SC180VS



2

FIGURE A

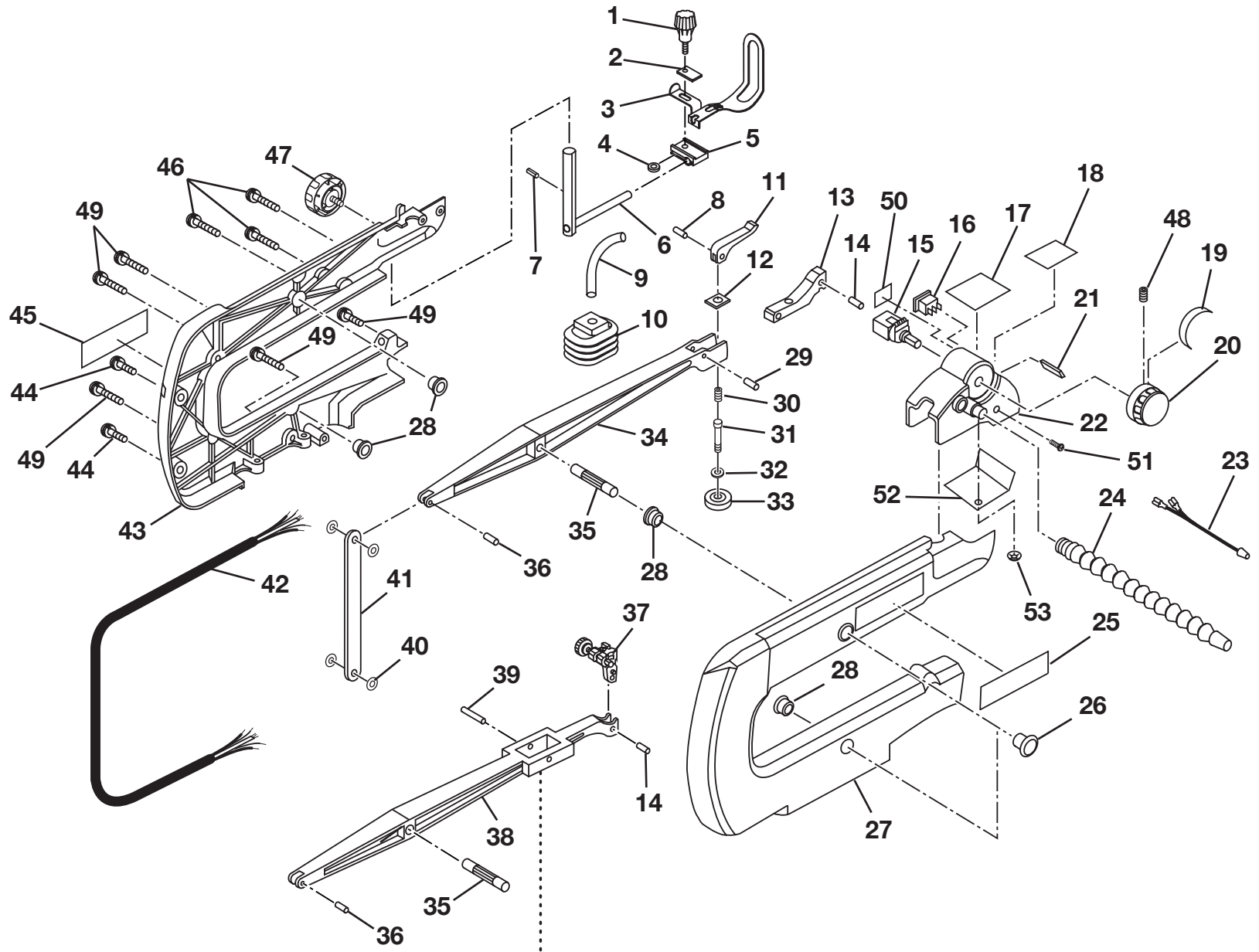
RYOBI 18 in. (457 mm) SCROLL SAW – MODEL NO. SC180VS

PARTS LIST FOR FIGURE A

KEY NO.	NUMBER	DESCRIPTION	PART QTY.	KEY NO.	PART NUMBER	DESCRIPTION	QTY.
1	180A02030	UPPER CLAMP ASSEMBLY	1	37	E07000846157	CLAMP	3
2	101069006	SAW BLADE	3	38	A10003050105	* SCREW (M5 X 10 PAN HD.)	3
3	180306000	THROAT PLATE	1	39	979769-001	* HEX BOLT (M6 X 20)	4
4	180301000	TABLE	1	40	180227000	DATA PLATE	1
5	979809-001	TABLE SCREW	1	41	A03003050168	* HEX BOLT (M5 X 16)	3
6	101072009	SAW BLADE	2	42	979766-001	* SCREW (M4 X 30)	2
7	180304000	BLADE DRAWER	1	43	979767-001	NOZZLE	1
8	A37130510060	* WASHER (M5)	3	44	979775-001	LEFT COUNTERBALANCE	1
9	979730-001	* SCREW (M5 X 8)	3	45	979762-001	LINK	1
10	A11003050083	* SCREW (M5 X 8)	2	46	979758-001	BALL BEARING	2
11	180302000	LOCK HANDLE	1	47	180237100	RIGHT COUNTERBALANCE	1
12	979804-001	* WASHER (M6)	2	48	A36030508123	* WASHER (M5)	1
13	180307000	SCALE	1	49	180238000	SCREW	1
14	180303000	SCALE BRACKET	1	50	180242000	SPACER	1
15	180102000	MOTOR COVER	1	52	979776-001	SET SCREW	2
16	180105000	POWER CORD ASSEMBLY	1	53	979759-001	* SCREW (M3 X 8)	1
17	E07050613002	STAIN RELIEF	1	54	180250000	* FIXED PLATE	1
18	A10003060103	* SCREW (M6 X 10)	4	55	180241000	SPACER	1
19	A18003050109	CLAMP SCREW	2	56	A63000000051	* O-RING	1
20	980123-001	MOTOR ASSEMBLY	1	57	A10003040180	* SCREW	2
21	979786-001	BRUSH HOLDER	2	58	180106000	TABLE SPINDLE	1
22	979785-001	BRUSH ASSEMBLY	2	59	180110000	TABLE PIVOT STAND	1
23	979784-001	BRUSH CAP	2	60	A30003004005	* HEX NUT	2
25	A10003050150	* SCREW (M5 X 15)	3	61	904222009	LABEL	1
26	979772-001	INDICATOR	1	62	180108000	LARGE SPONGE	2
27	979820-001	* HEX BOLT (M5 X 15)	1	63	8180A00110	PC BOARD	1
28	979821-001	* HEX NUT (M5)	1	64	180112000	INSULATION FILM	1
29	979822-001	HEX BOLT (SOCKET HD. SPECIAL)	1	65	180101000	LEAD WIRE	1
30	A38030612019	* WASHER (M6)	1	66	180109000	SMALL SPONGE	1
31	979824-001	STOPPER	1	67	8180A21000	TRANSFORMER BOARD ASSEMBLY	1
32	979825-001	SPRING PIN	1	68	180107000	MEDIUM SPONGE	1
35	180111000	RUBBER FEET	4	69	180305000	BLADE DRAWN BRACKET	1
36	180103000	BASE	1				

* STANDARD HARDWARE ITEM – MAY BE PURCHASED LOCALLY

RYOBI 18 in. (457 mm) SCROLL SAW - MODEL NO. SC180VS



SEE FIGURE A

FIGURE B

RYOBI 18 in. (457 mm) SCROLL SAW – MODEL NO. SC180VS

The model number will be found on a plate attached to the motor housing. Always mention the model number in all correspondence regarding your **Scroll Saw** or when ordering repair parts.

PARTS LIST FOR FIGURE B

KEY NO.	PART NUMBER	DESCRIPTION	QTY.	KEY NO.	PART NUMBER	DESCRIPTION	QTY.
1	102032002	TENSION ADJUSTING KNOB	1	29	A41001052340	SPRING PIN	1
2	979745-001	SUPPORT PLATE	1	30	180215000	SPRING	1
3	979747-001	DROP FOOT	1	31	180205000	ADJUSTMENT SCREW	1
4	180243000	WASHER	1	32	A35030616160 *	WASHER (M6)	1
5	979749001	HOLD DOWN CLAMP	1	33	180203000	TENSION KNOB	1
6	180A04010	SUPPORT BAR ASSEMBLY	1	34	180201000	UPPER ARM	1
7	A42001030109	SPRING PIN	1	35	180223000	BEARING	2
8	A42001030140	SPRING PIN	1	36	A42001050220	SPRING PIN	2
9	180232000	BELLOW	1	37	180A02040	LOWER CLAMP ASSEMBLY	1
10	108217000	BLOWER	1	38	180212000	LOWER ARM	1
11	180202000	BLADE TENSION LEVER	1	39	180240000	PIN	1
12	180210000	WASHER	1	40	180248000	WASHER	4
13	180204000	BRACKET	1	41	180211000	LINK	1
14	A41001050150	PIN	2	42	180A02070	LEAD WIRE ASSEMBLY	1
15	8000200011	VR SWITCH	1	43	180218000	RIGHT ARM COVER	1
16	180226000	SWITCH	1	44	A11003040255 *	SCREW (M4 X 25)	3
17	180225000	SWITCH LABEL	1	45	180104000	WARNING LABEL	1
18	180224000	WARNING LABEL	1	46	A11003040350 *	SCREW (M4 X 35)	3
19	180234000	ON/OFF KNOB LABEL	1	47	979741-001	DROP FOOT LOCK KNOB	1
20	180222000	ON/OFF KNOB	1	48	A95001050120	SET SCREW	1
21	166102100	MOTOR POINTER	1	49	A11003040400	SCREW, PH. HD.	4
22	180219000	SWITCH COVER	1	50	180235000	LED LABEL	1
23	180229000	LED	1	51	A10003040107	SCREW, PH. HD.	4
24	180A02060	SAWDUST BLOWER/LIGHT	1	52	180244000	SPACER	1
25	180230000	LOGO PLATE	2	53	180245000	RETAINING RING	1
26	979829-001	RUBBER STOPPER	4		983000-016	OPERATOR'S MANUAL	
27	180217000	LEFT ARM COVER	1		983000-016R	REPAIR SHEET	
28	979765-001	BEARING BUSHING	4		5-25-04		

* STANDARD HARDWARE ITEM – MAY BE PURCHASED LOCALLY