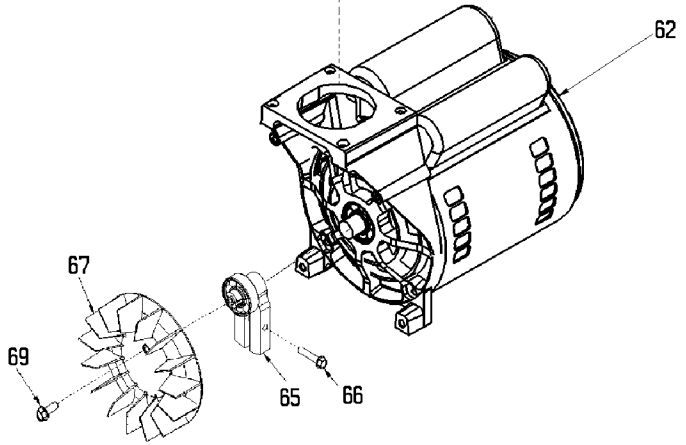
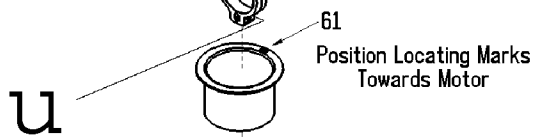
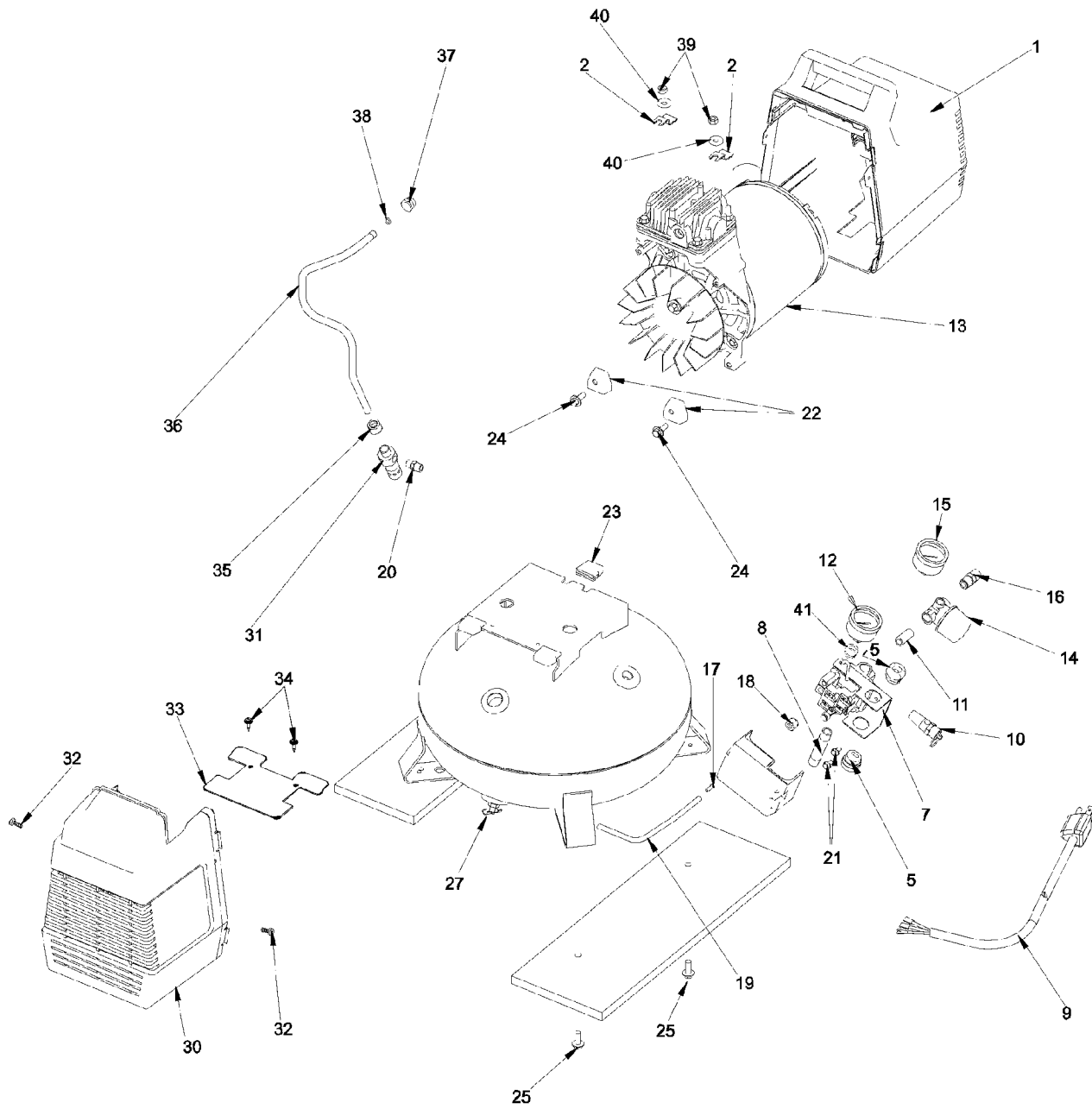


Assemble connecting rod so that the outside of rod is flush with outside of bearing.



KEY NO.	TORQUE
55	7 to 10 Ft. Lbs.
56	7 to 10 Ft. Lbs.
66	100 to 120 In. Lbs.
69	80 to 100 In. Lbs.
u	42 to 48 In. Lbs.



Parts List for SDS100E4D Type 2

Item Number	Part Number	Description	Qty Required
1	000000-00	No Longer Available	1
2	CAC-1121	BRACKET SHROUD	2
5	33821-00	BUSHING	1
5	438010040063	HEYCO BUSHINGS	1
7	000000-00	No Longer Available	1
8	SSP-480	NIPPLE 1/4-18 NPT X	1
9	SUDL-403-1	ASSY CORD POWER SJT	1
10	TIA-4150	VALVE SAFETY 150 .25	1
11	N044990	NIPPLE CLOSE 1/4-18	1
12	Z-D23004	GAUGE 1.5OD 200PSI .	1
13	000000-00	No Longer Available	1
14	CAC-4296-1	REGULATOR 3PORT P2 L	1
15	Z-D23004	GAUGE 1.5OD 200PSI .	1
16	D26889	ADAPTER .25 NPT X .2	1
17	5130039-00	SLEEVE	1
18	SSP-7811	ASSY NUT SLEEVE 1/4	1
19	CAC-1085-1	TUBE PRESSURE RELIEF	1
20	000000-00	No Longer Available	1
21	SUDL-9-1	SCREW #8-32X.375/.34	2
22	ACG-18	CUP SADDLE MOUNT	2
23	ACG-19	ISOLATOR 3 POINT MOU	3
24	91895680	SCREW .250-20X.750 H	2
25	91895680	SCREW .250-20X.750 H	4
27	N286039	DRAIN VALVE	1
28	000000-00	No Longer Available	1
29	000000-00	No Longer Available	1
30	000000-00	No Longer Available	1

Parts List for SDS100E4D Type 2

Item Number	Part Number	Description	Qty Required
31	A19711	VALVE CHECK 1/2NPT X	1
32	SSF-3156	SCREW #10-9X.500 THD	2
33	AC-0397	GUARD FAN	1
34	SSF-953-ZN	SCREW #10X.625 HHW S	2
35	SSP-7813	ASSY NUT SLEEVE 3/8	1
36	AC-0405	TUBE OUTLET PANCAKE	1
37	SSP-7821-1	NUT .563-18 UNF HEX	1
38	SSG-3105	ORING 306/296ID 073/	1
39	038738-00	NUT	2
40	330016-13	WASHER	2
41	SSP-6021	BUSHING REDUCER 1/8-	1
50	KK-4981	KIT MUFFLER FILTER	1
51	DAC-143	FILTER INTAKE	1
52	KK-4981	KIT MUFFLER FILTER	1
53	KK-4981	KIT MUFFLER FILTER	1
54	AC-0037	HEAD 3/8 OUTLET FRON	1
55	SSF-589	STUD 1/4 - 20 X 1.12	1
56	SSF-927	SCREW .250-20X1.125	1
57	ACG-45	ORING P/L HEAD	1
58	Z-AC-0032	ASSY VALVE PLATE	1
59	SSG-8156	ORING 2.759/2.719ID	1
60	KK-4835	KIT CONNECTING ROD L	1
61	KK-4835	KIT CONNECTING ROD L	1
62	000000-00	No Longer Available	1
65	SST-3025-1	BEARING 17MM SINGLE	1
65	Z-AC-0140	ASSY ECCENTRIC BEARI	1
66	SSF-586	SCREW .250-20X.750 U	1

Parts List for SDS100E4D Type 2

Item Number	Part Number	Description	Qty Required
67	AC-0108	FAN 5.75 DIA	1
69	SSF-586	SCREW .250-20X.750 U	1
70	SSF-3158-1	SCREW #10-24X.750 TH	1
71	KK-4835	KIT CONNECTING ROD L	1
72	KK-4835	KIT CONNECTING ROD L	1
856	KK-4835	KIT CONNECTING ROD L	1
856	KK-4315	KIT VALVE REPLACEMEN	1
856	K-0650	KIT COMP RING REPLAC	1